

产品目录

PRODUCTS CATALOGUE

- 液压软管
Hydraulic Hoses
- 液压流体连接件
Hydraulic Connectors



漯河利通液压科技股份有限公司在生产、研发、销售橡胶软管与流体连接件领域已有17年历史，是一家业内公认的高品质橡胶软管制造与服务企业。稳定的产品质量及良好的口碑为其连续八年赢得中国橡胶工业协会胶管胶带分会颁发的“中国胶管十强企业”荣誉称号。

不辜负客户信任与行业赞誉，占地约20万平方米的利通流体智慧产业园一期项目在2019年10月已全面投产，利通现拥有高速编织机40台，钢丝缠绕机10台，工业管成型机6台，流体连接加工设备60余台，全自动混炼胶生产线2条，混炼胶加工能力1.5万吨，液压软管、石油化学等工业软管等年产量4000万米，橡胶密封件及其相关制品2000万件。预计2024年项目全面投产后，各类软管产销量将达1.2亿米，混炼胶产销量将达3.5万吨，密封及相关制品产销量将提升至千万件，流体连接件产量将达5000万件，产值预计突破25亿元人民币。

自2015年起，利通先后推出了大力神和超级大力神系列软管。超级大力神系列软管具有长寿命（配套使用利通接头，使用寿命超过5年，质保2年）、低弯曲（弯曲半径低于DIN/SAE标准30%）、高压力（超过DIN/SAE标准25%）的特点。该软管内外层均为性能优异的耐热、耐老化、耐紫外线的氯丁合成橡胶，适用于可生物降解的液压油。其两层钢丝增强脉冲可达60万次，四层钢丝增强脉冲可达100万次，骨架材料柔韧性更强，充分满足了各类液压机械对软管轻量化、高压力、长寿命的使用需求。

根据不同的用户需求，利通提供各类钢丝增强软管、纤维增强软管、工业软管、UPE/PTFE橡塑复合多功能软管、石油钻探软管、化工软管、食品医药软管（产品符合FDA规定）、软管总成、流体连接件及高性能耐热、耐老化橡胶密封制品等。产品广泛应用于工程机械、农用机械、石油钻采、建筑、钢铁、化工、发电、煤矿、轨道交通、船舶制造、食品饮料加工等领域。

作为专业的软管制造商，利通先后通过的产品认证包括安标（MA）、MSHA、美国石油协会（API）产品认证API-16C和API-7K、美国船级社ABS产品认证（石油钻采装备及钢丝编织橡胶软管总成）、劳氏防火认证等，已通过的管理体系认证包括国军标质量管理体系（符合标准GJB 9001C-2017）、汽车质量管理体系（符合标准IATF16949:2016）、DNV质量管理体系（符合标准GB/T 19001-2016）、石油天然气行业制造类组织的质量管理体系（符合标准API Specification Q1）、环境管理体系（符合标准GB/T 24001-2016）、武器装备质量管理体系（符合标准GJB 9001C-2017）和两化融合管理体系（GB/T 23001-2017）等。公司实验室获得了CNAS颁发的实验室认可证书。

17年来，利通始终坚持“诚信为本，用户第一”的核心价值观，坚定不移的推进“独创引领，育才优先，植根精益，勇攀巅峰”的发展战略。紧紧围绕橡胶软管上下游产业链开展高分子材料、液压软管、工业软管、石油钻采软管、食品医药软管、橡胶密封件、流体连接件的技术研发与制造，服务于全球装备制造，为全球智能制造贡献力量，为成为全球流体技术产业领航者的伟大目标而奋斗。



As an industry-recognized high-quality rubber hose manufacture and service company, Luohe Letone Hydraulics Technology Co., Ltd has 16-year experiences on production, R&D, and sale of rubber hoses and fluid connections. Thanks to its stable quality and good reputation in the market, Letone has won the “Top Ten Rubber Hose Enterprises in China” issued by China Rubber Industry Association Rubber & Belt Branch for eight consecutive years.

Market demands have increased rapidly with the good reputation built. The 200,000 square meters Letone Fluid Intelligent Technology Industrial Park has put into production in October 2019 and to be fully put into production in 2024. Letone now has 40 high-speed steel wire braiders, 10 steel wire spiral machines, 6 industrial hose production equipment, and 60 fluid connector product equipment and two automatic rubber compound production lines service in house. Meanwhile, Letone is capable to produce rubber compounds 15,000 tons per year, rubber seals and other rubber products 20 million pieces per year, and the annual production capacity of hydraulic hoses and industrial hoses (petroleum, chemical, F&B) has increased to 40 million meters. By 2024, The production capacity of hydraulic hoses and industrial hoses (petroleum, chemical, F&B) is forecasted to increase to 120 million meters, rubber compounds will jump to 35,000 tons, rubber seals will reach hundred million pieces, and fluid connectors will increase to 50 million pieces, the output value will boost to RMB 2.5 billion. And Letone, by that time, will become one of the world leaders in the hose manufacturing industry.

Rather than getting trapped in price war when the market began to fluctuate, Letone developed proprietary products under the principle of “development powered by innovation” . In 2015, Letone developed the Artery series which was highly recognized by both domestic and international markets. Further in 2018, Letone has introduced Super Artery (SA) series to the market, which is featured as a long service life (weather -resistant for 5 years and warranted for 2 years with the Letone specific hose connectors), low bending radius (30% lower than SAE/DIN standards) and high-pressure (25% higher than SAE/DIN standards) super hose. The material of the inner tube and the outer layer of the hose are neoprene synthetic rubber, which has excellent performance on high temperature resistant, anti-aging and UV-proof. SA hoses are suitable for biodegradable hydraulic oil delivery. Two plies steel wire reinforced SA hose impulse reaches 600,000 cycles, and four plies of it could reach or even exceed 1 million cycles. The hose reinforcement layer has higher tensile but more flexible, which makes it perfectly satisfied hydraulic machines, needs of lighter weight, high pressure and long service life.

Beside high pressure steel reinforced hydraulic hoses like Super Artery series, Letone also produces various fiber-reinforced hydraulic hoses, industrial hoses, UPE/PTFE rubber-plastic composite multipurpose hoses, petroleum drilling hoses, chemical hoses, F&B and medical hoses (comply with FDA regulations), hose assemblies, fluid connectors and anti-aging rubber seals, etc. Letone products are widely apply to areas like construction machinery, agricultural machinery, oil and gas, construction, steel, chemical, power generation, mining, railway, shipbuilding, food and beverage processing, etc.

As an experienced professional hose manufacturer, Letone has obtained the Safety Certificate of Approval for Mining Products, certificate of MSHA, API Product Certificates (API 16C and API 7K), ABS Product Certificate (Drilling Equipment and Flexible Wire Braided Rubber Hose Assembly) , Lloyd’ s Fire Test Certificate and meets the requirements of quality management systems such as API Q1, GJB 9001C-2017, IATF16949:2016, GB/T ISO9001:2016 (DNV) etc. Letone also holds the environment management system international certification issued by IMS (comply with GB/T 24001-2016 standard) and Laboratory Accreditation Certificate issued by CNAS.

In the past years, Letone has adhered to the core value of “integrity-based, clients first” , and followed the development strategy of “Original Leading. Talents Engaging. Rooting in Lean Production. Aiming for Peaking” as guidance. Sticking to the upstream and downstream industrial chain of rubber hose. Letone is carrying out technical R&D and manufacture on polymer materials, hydraulic hoses, industrial hoses, petroleum drilling hoses, F&B and medical hoses, rubber seals, and fluid connectors, etc. serve to global equipment manufacturers. Letone is continuously contributing to global intelligent manufacture and striving to lead the fluid technology industry towards prosperity.



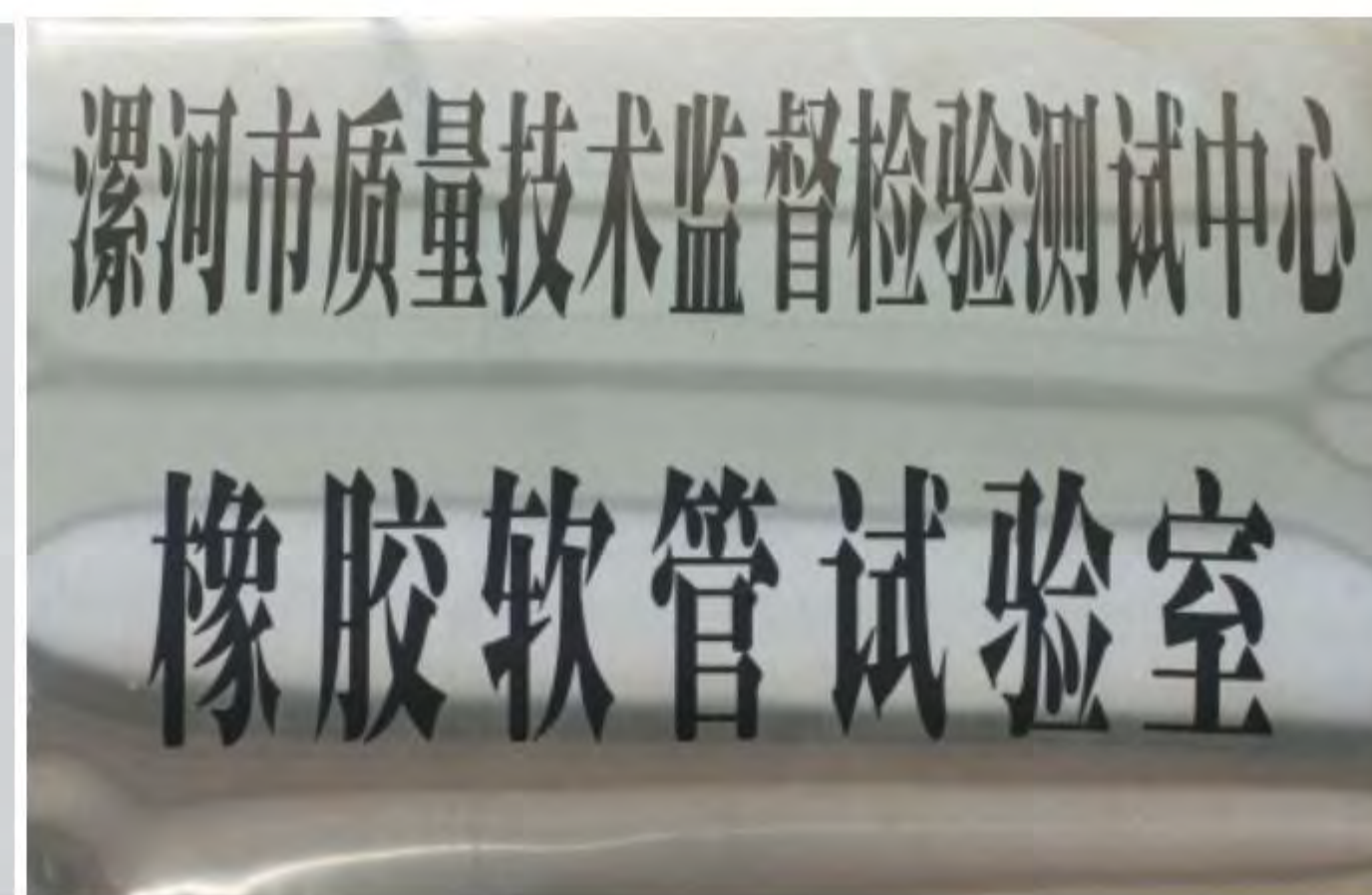
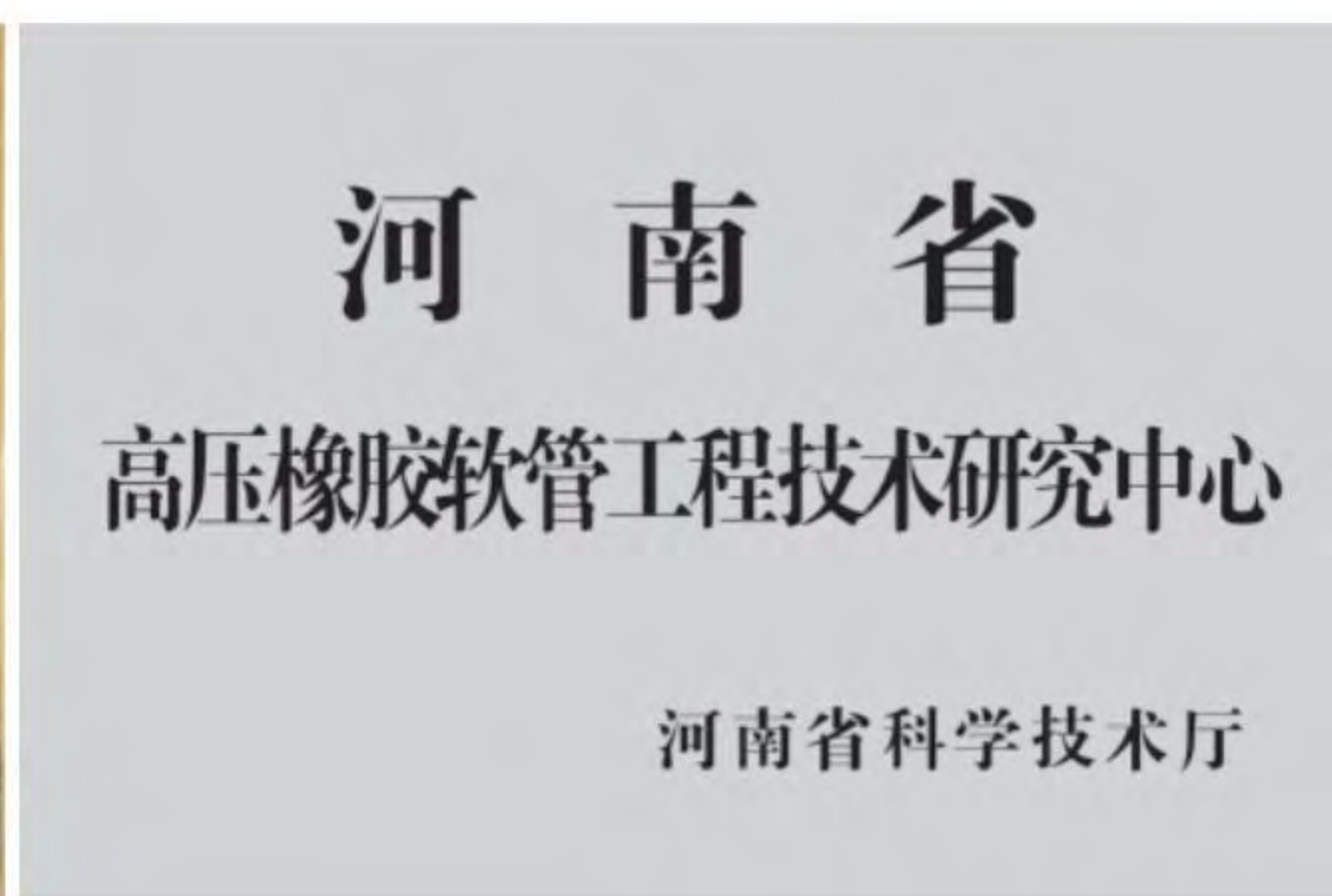
QUALIFICATION & CERTIFICATE

企业资质 成为全球流体技术产业领航者



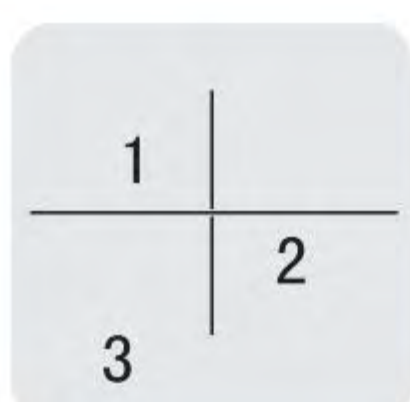
COMPANY HONOR

企业荣誉 成为全球流体技术产业领航者





- * 1、胶管生产车间
Hose Production Workshop
- * 2、60米超长钢丝缠绕胶管生产线
60 Meters Long Steel Wire Spiral Hose Production Line
- * 3、62米超长硫化罐
62 Meters Long Vulcanizing Tank



* 1、OMA 合股机
OMA Wire Winders

* 3、Mayer 合股机
Mayer Wire Winders

* 2、Mayer 高速钢丝编织生产线
Mayer High Speed Wire Braiders

化学分析室
Chemical Analysis Laboratory



1	2
3	

- * 1、意大利比尔玛脉冲试验台
Bimal Impulse Test Stand From Italy
- * 2、意大利比尔玛曲绕式脉冲试验台
Bimal Dynamic Impulse Test Stand From Italy
- * 3、臭氧试验机、低温脆性仪
Ozone Test Machine、Low Temperature Brittlemet Test Machine



超高压液压软管爆破试验台
Super High Pressure Hydraulic Hose Burst Test Stand



德国进口扣压机
Hose Crimping Machine From Germany



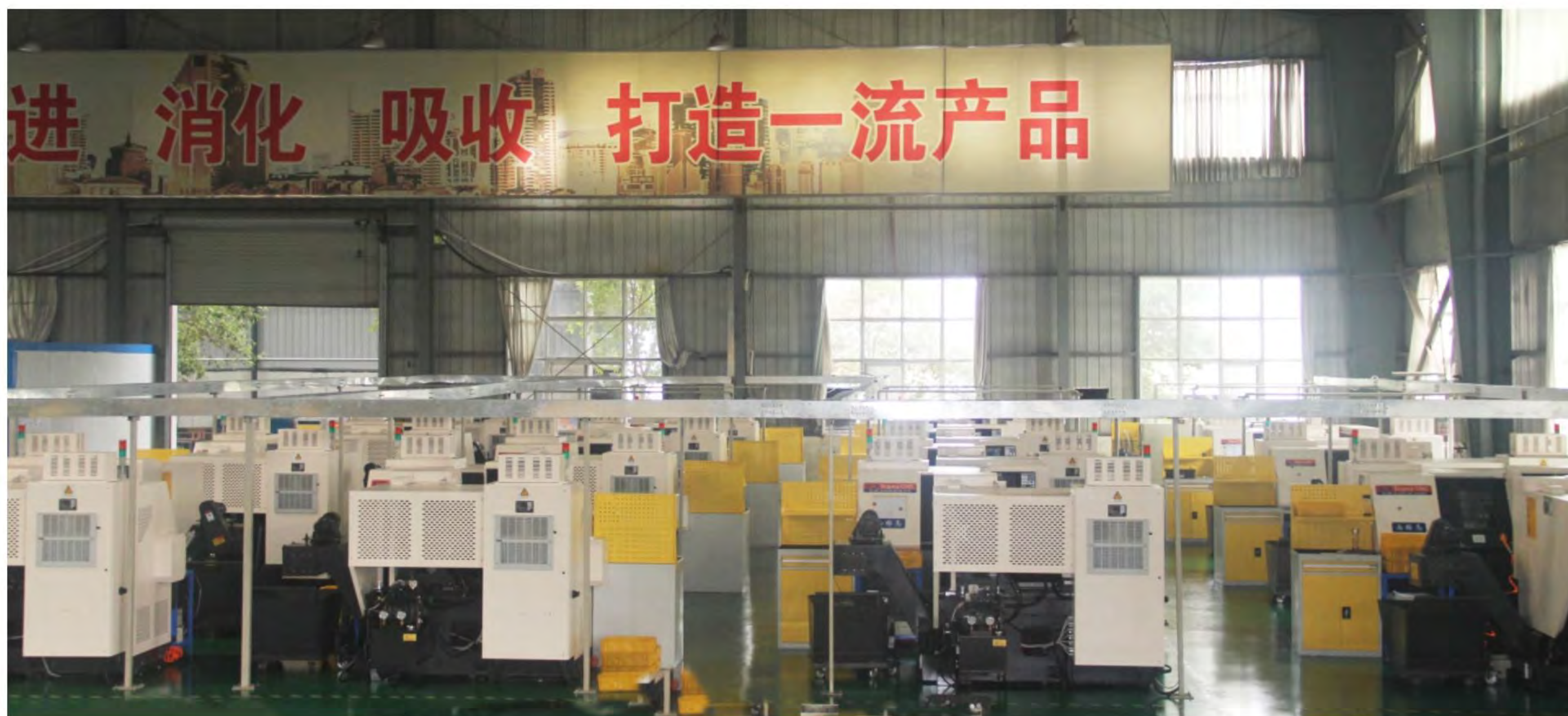
高铁门尼粘度仪、硫化仪
Gotech Viscometer And Rheometer



* 1. 全自动混炼胶生产线控制室
Control Room of The Automatic Rubber Compound Production Line



* 2. 全自动混炼胶生产线
The Automatic Rubber Compound Production Line



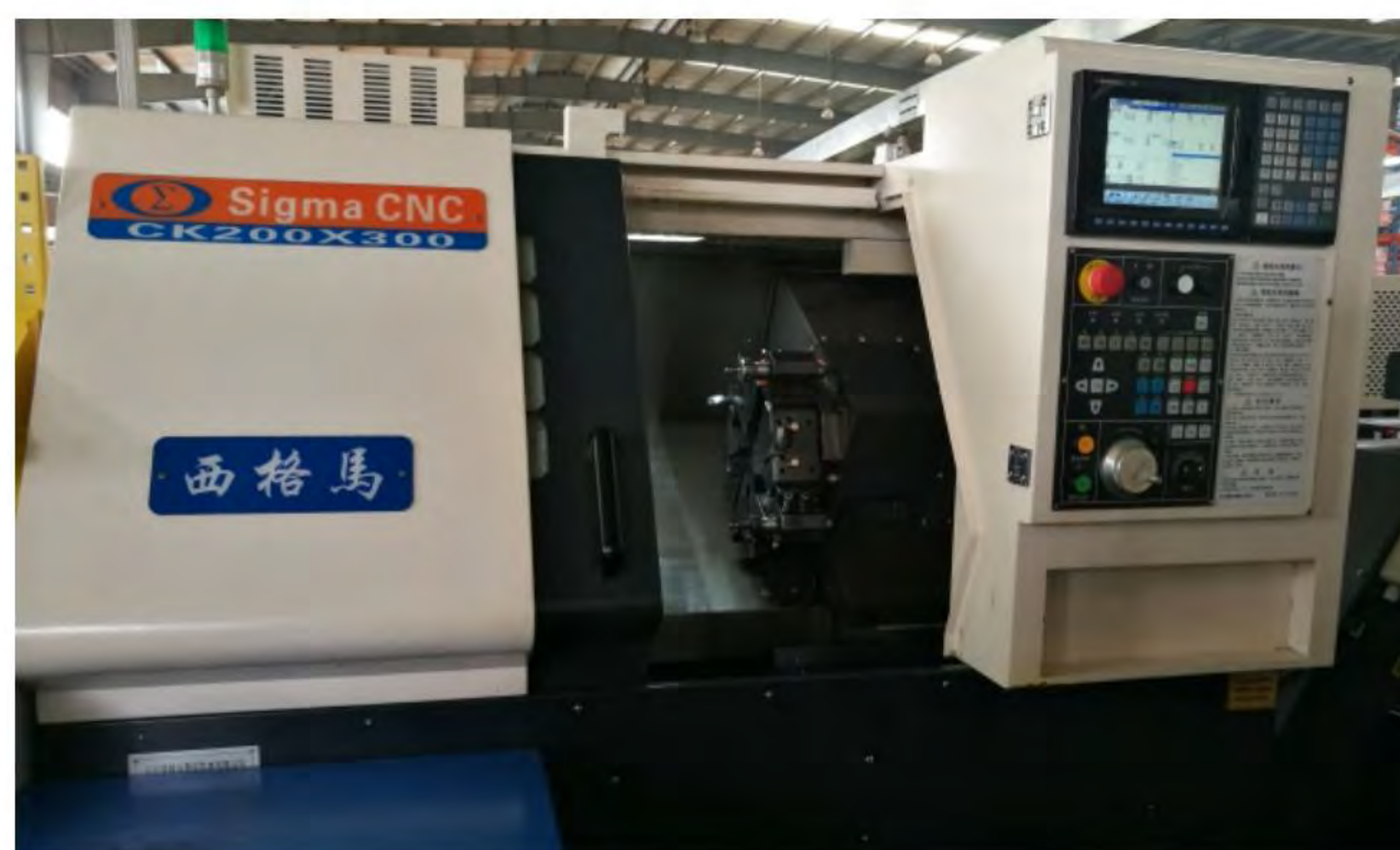
流体连接件车间
Fluid Connectors Workshop



软管总成车间
Hose Assembly Workshop



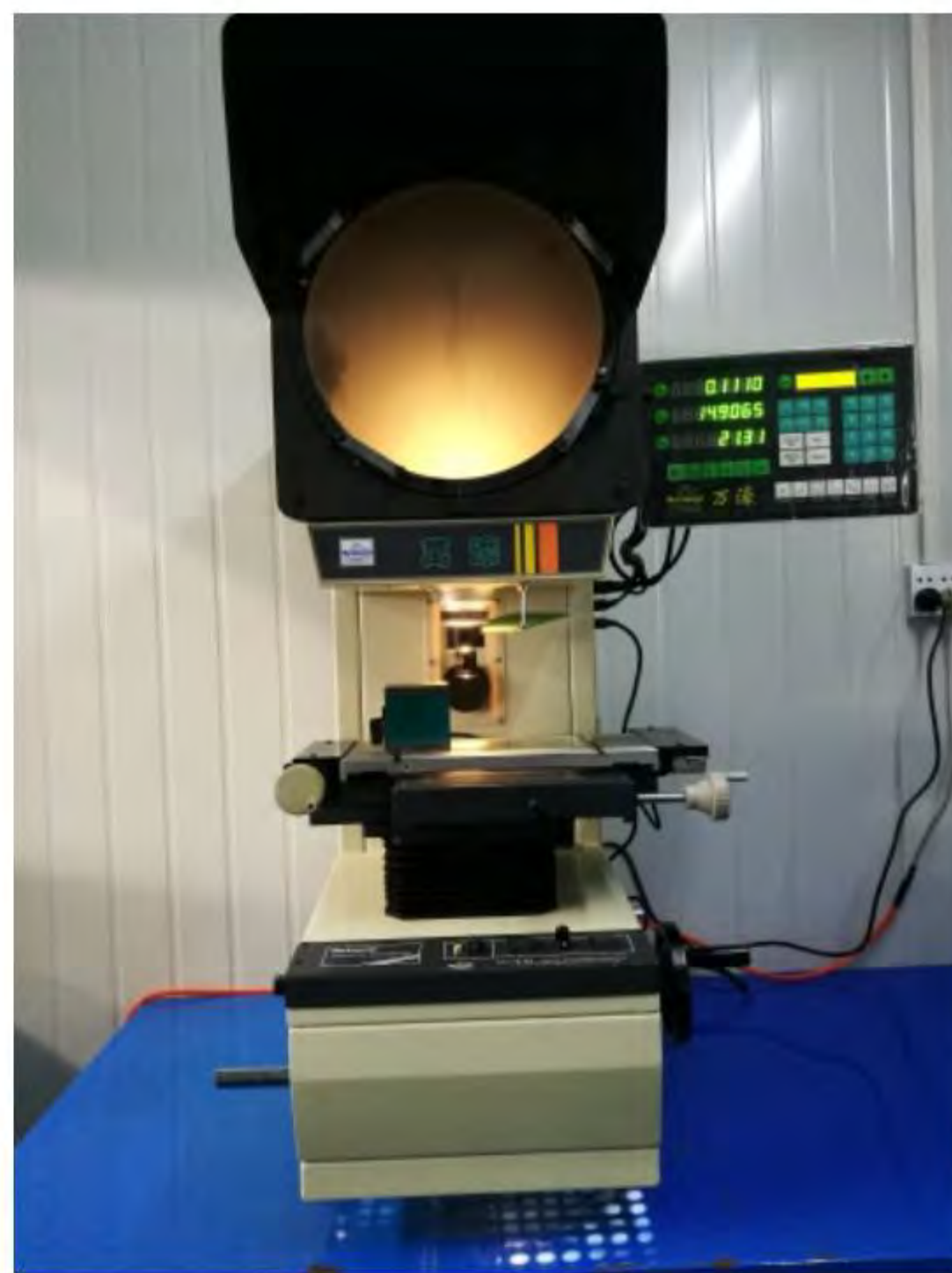
全自动切管机
Automatic Hose Cutting Machine



高精度数控车床
High Precision CNC Machine



碳硫分析仪
Carbon & Sulfur Analyzer



高精度投影仪
High Precision Projector



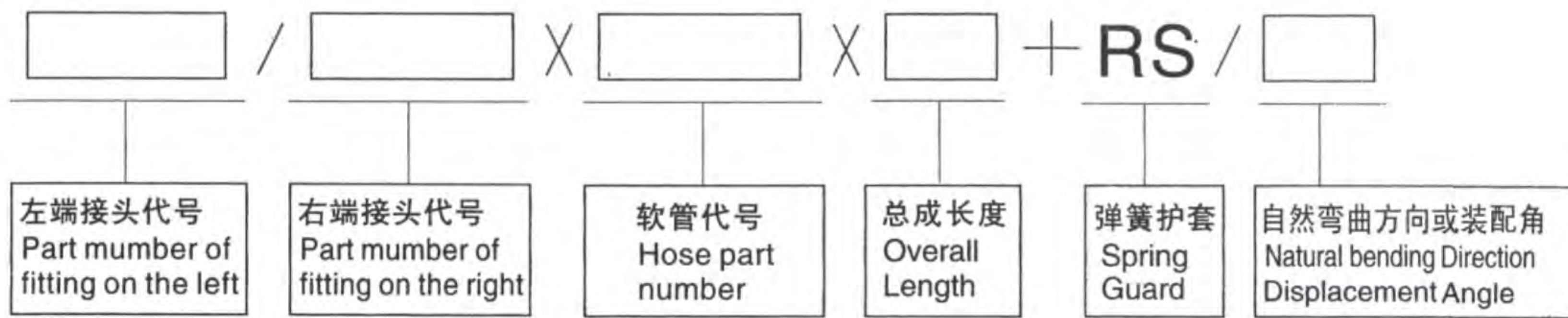
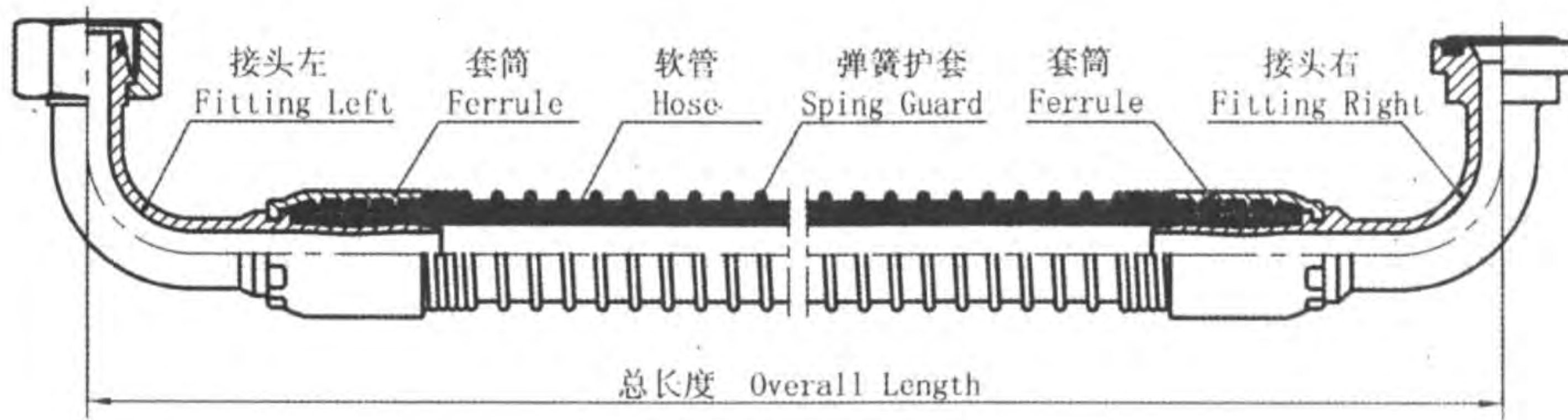
洛氏 & 布氏硬度计
Rockwell & Brinell Hardness Tester



烟雾试验机
Salt Spray Tester

软管总成订货方法 How to Order Assembly

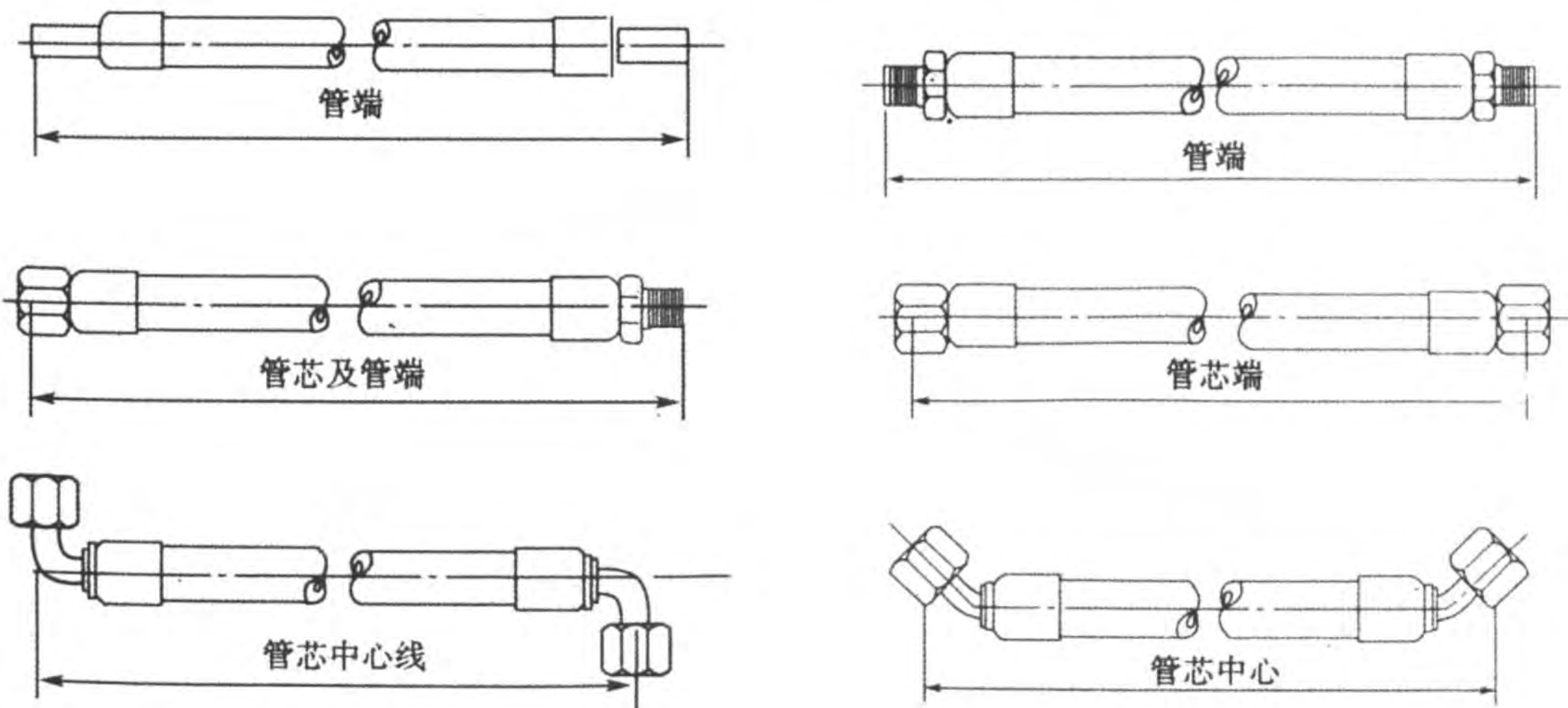
软管总成订货代号



订货示例1: :20491-30-12T/ :87391-12-12X2T12X1200+RS/SSX
 当无装配角、自然弯曲方向或弹簧护套时，则代号中这些内容可省去不写。
 订货示例2: 当接头1 与接头2 相同时，只标一个接头的代号。
 :20491-30-12TX2T12X1200V90

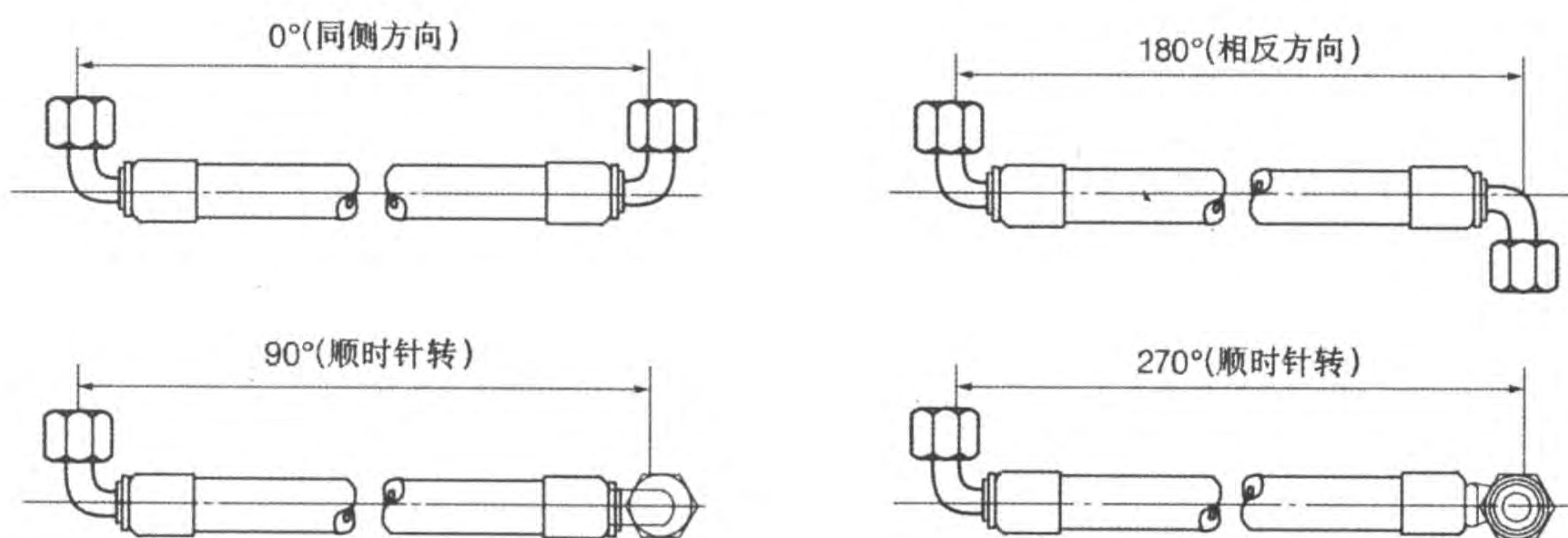
软管总成长度表示方法 How to Measure Assembly

软管总成长度L 以从接头芯端面或弯接头芯中心为基准进行测量。



软管总成装配角表示方法 How to Measure Displacement Angle

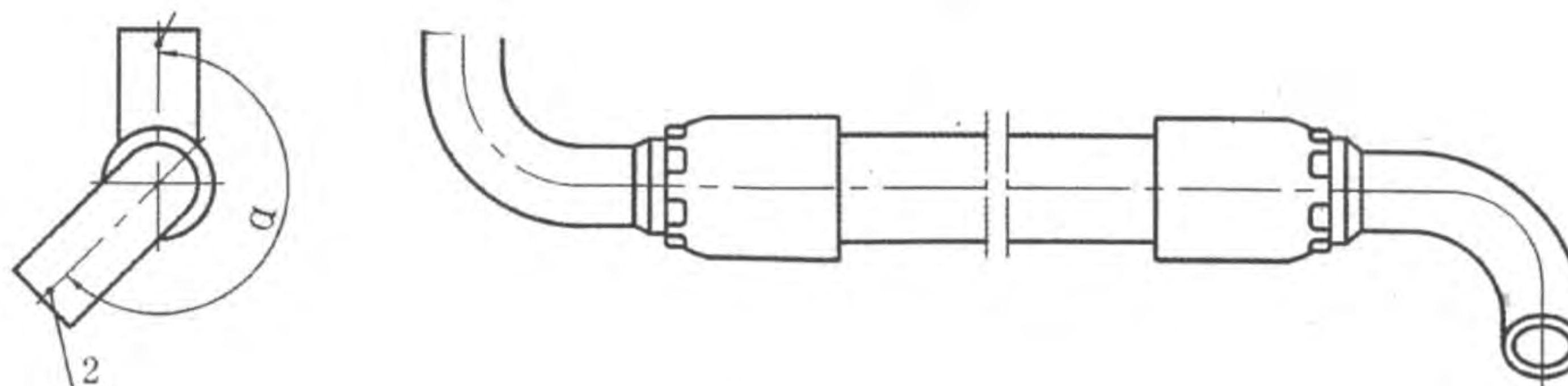
置胶管总成在同一直线上,其中一个接头为垂直方向;按顺时针方向测量另一个接头与垂直方向接头之间的夹角。此夹角即为装配角。



装配角允许误差 $\pm 3^\circ$

软管总成装配角测量 How to Measure Displacement Angle

当总成的两端接头均为弯接头时,装配时两弯接头间有一角度关系。测量时,把软管总成拉直,并沿直线方向看,把弯接头1置垂直向上方向,按顺时针测量弯接头2与垂直放置的弯接头1之间的夹角,即为软管总成的装配角,用V表示。如图所示,例当装配角 α 为 225° 时,标记为V225。







软管总成自然弯曲方向的规定

软管自然弯曲方向规定






Natural Bending Direction

由于软管库存时成捆盘扎，在加工总成时难以拉直，当有一端接头为弯接头时，就存在弯曲接头与软管自然弯曲方向间的关系。
把软管自然放置的平面作为水平面。

软管总成的一端接头为弯曲接头，另一端接头为直接头时有如下四种情况：

图示说明	表示	代号	图示说明	表示	代号
	单头平面 垂直向外	DCW		单头水平向上	DSS
	单头平面 垂直向内	DCN		单头水平向下	DSX

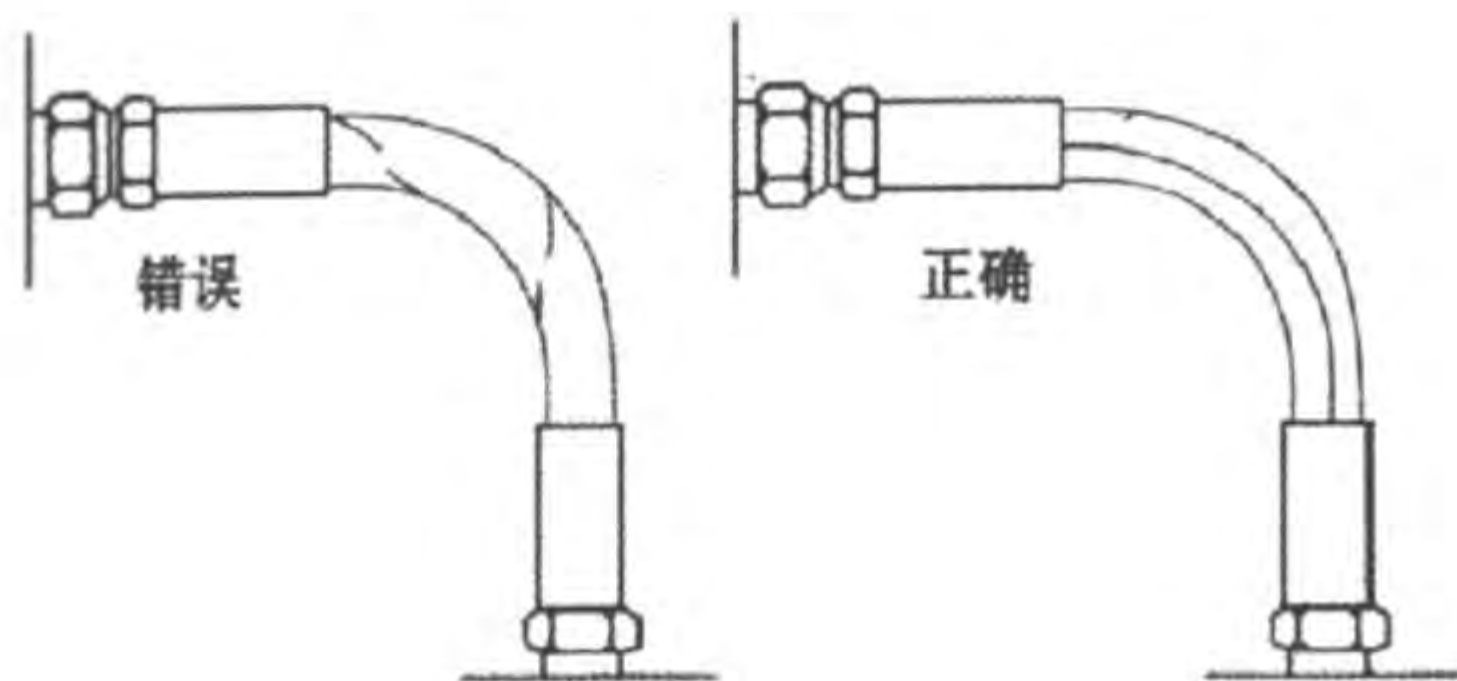
软管总成的二端接头均为弯曲接头时有如下十种情况：

图示说明	表示	代号	图示说明	表示	代号
	双头水平向下	SSX		双头异向 平面垂直 接头1 向内， 接头2 向外	SYC2
	双头水平向上	SSS		接头1 平面 垂直向内 接头2 水平向上	YNES
	接头1 向下， 接头2 向上	SSY		接头1 平面 垂直向外 接头2 水平向上	YWES
	双头同向平面 垂直向外	STC		接头1 平面 垂直向内 接头2 水平向下	YNEX
	双头异向 平面垂直 接头1 向外， 接头2 向内	SYC1		接头1 平面 垂直向外 接头2 水平向下	YWEX

软管安装指南 & 技术要求 Assembly Installation & Technical Requirements

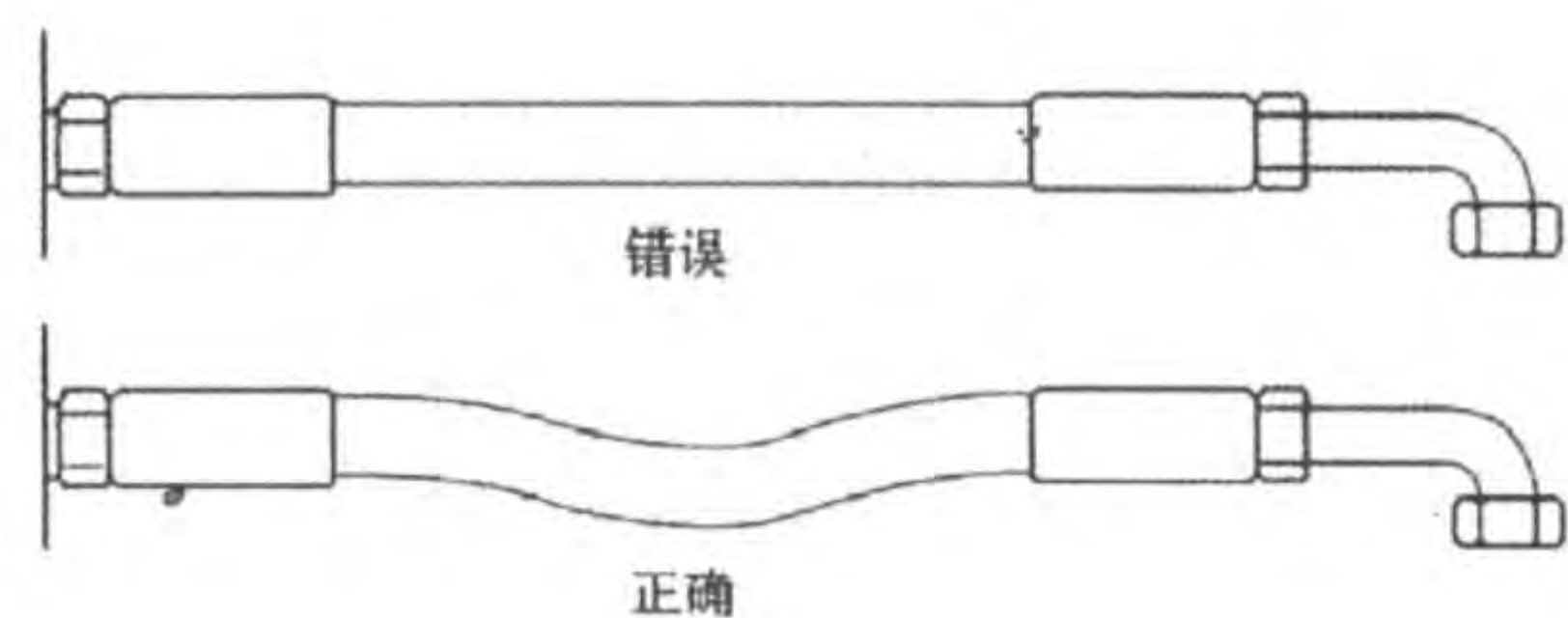
正确地安装胶管至为重要，如胶管过长不但影响外观，而且增加成本。如胶管太短，当其受压而伸展或收缩时，没有足够的伸缩余地，会导致胶管被破坏。以下各图显示安装胶管时应注意的事项，依此安装可达最佳的工作效果并延长胶管的寿命。

Install the hose in a correct way is very important, it will affect the hose's appearance and cost a lot while it is too long, but if the hose is too short, it cannot flex while being crushed. Both too long and too short can break down the hose. So pay more attention to the following guide before you install the assembly:



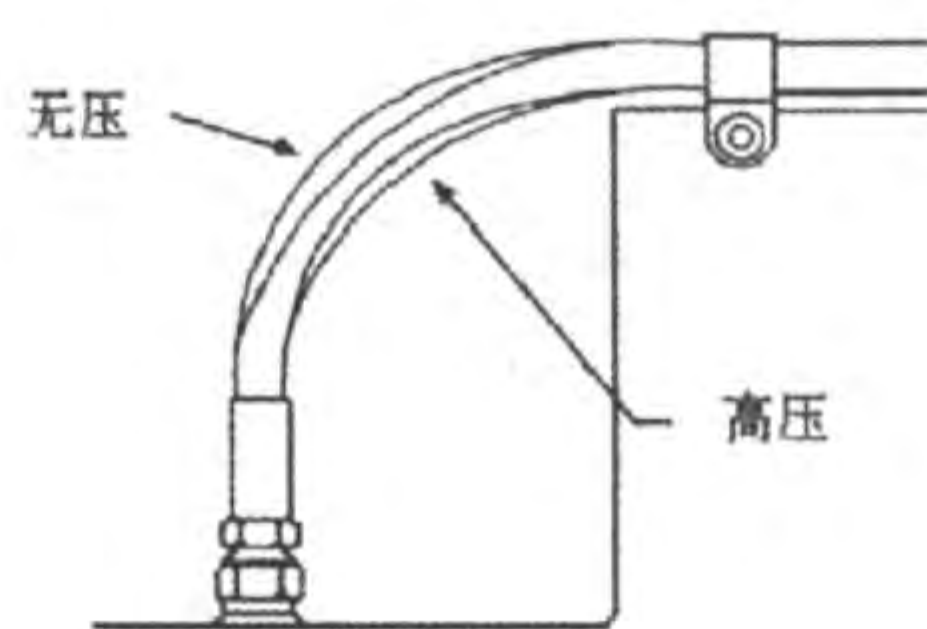
安装胶管时，切勿让其扭歪，否则当受压力时会破坏胶管或令联接处松脱。

Hose should not be twisted. Hose is weakened when installed in twisted position. Also pressure in twisted hose tends to loosen fitting connections. Design so that machine motion produces bending rather than twisting.



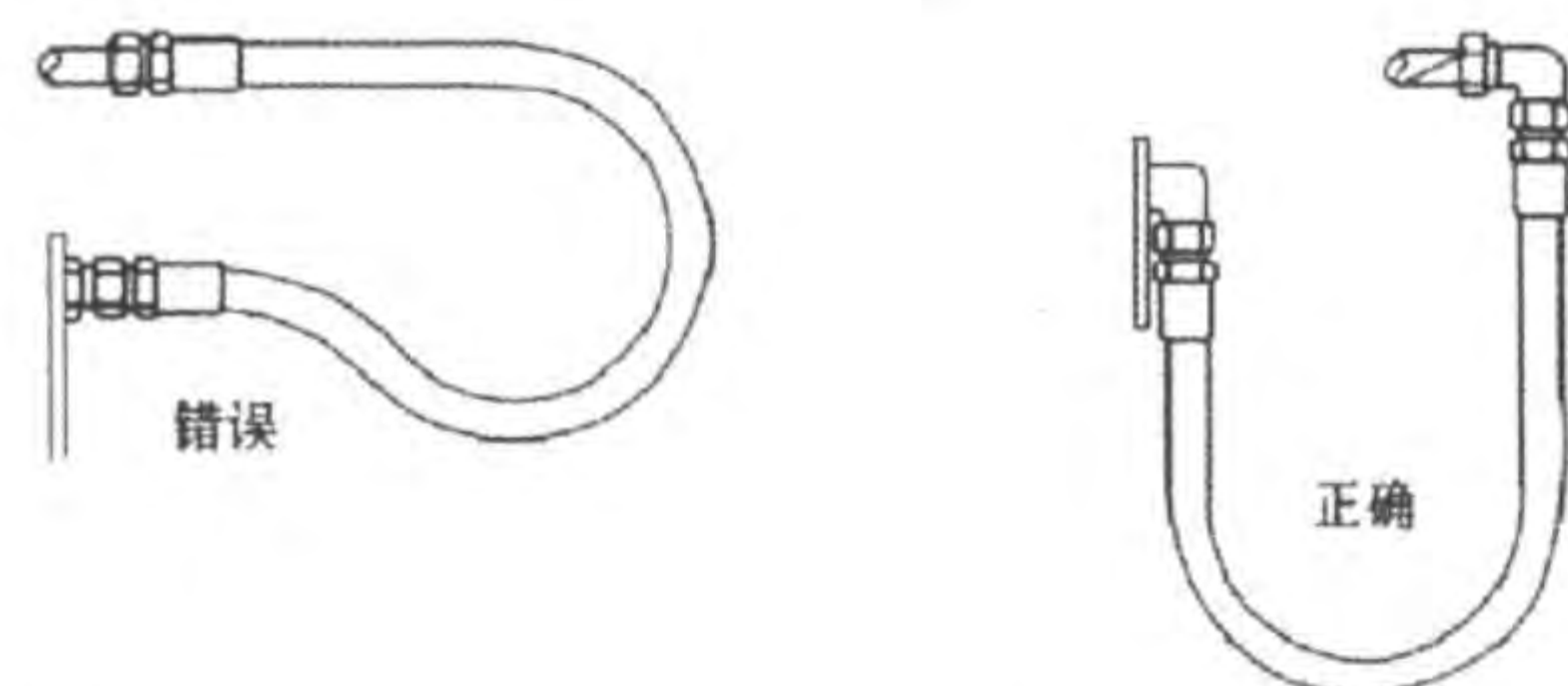
安装胶管时，切勿让其扭歪，否则当受压力时会破坏胶管或令联接处松脱。

Since hose may change in length from +2% to -4% under the surge of high pressure, provide sufficient slack for expansion and contraction.



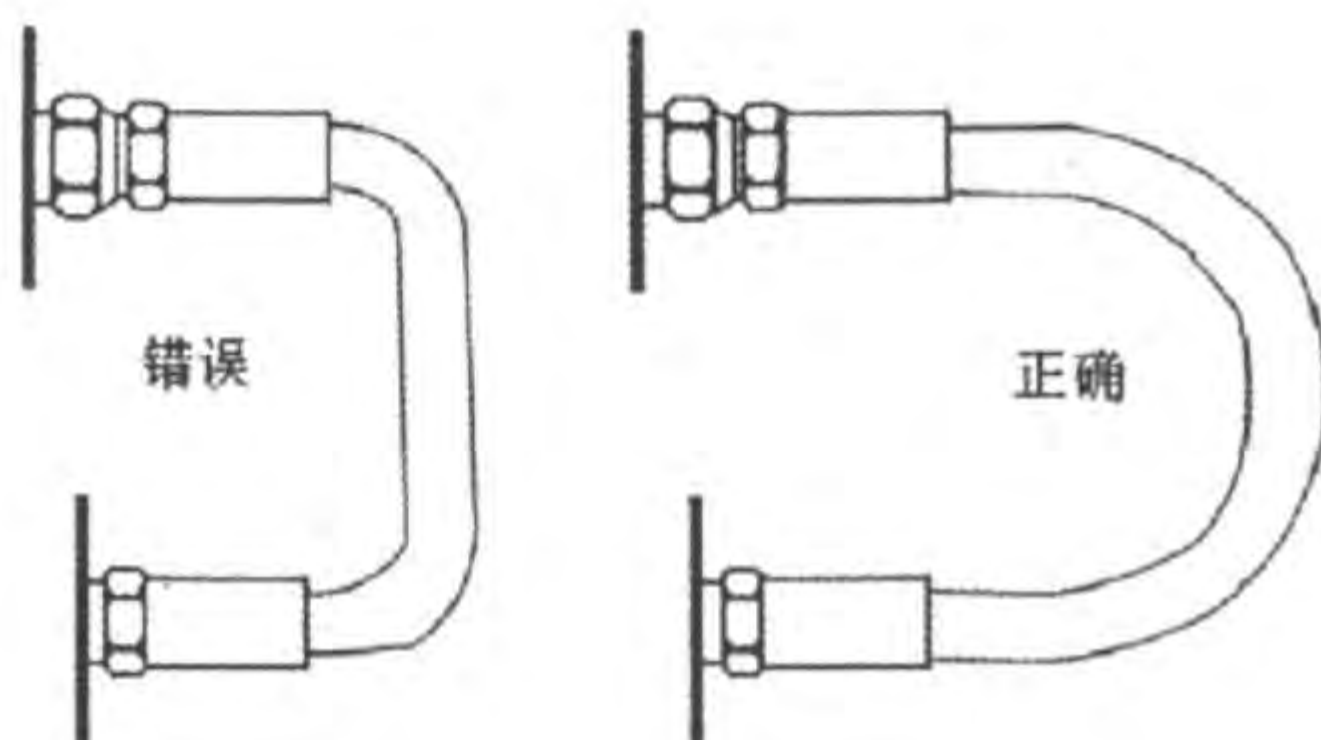
当胶管受压时，其长度会改变，因此切勿在弯曲位置上加任何夹子，使其能自由移动。

Don't use any clamps at the inflexion so as it can move freely.



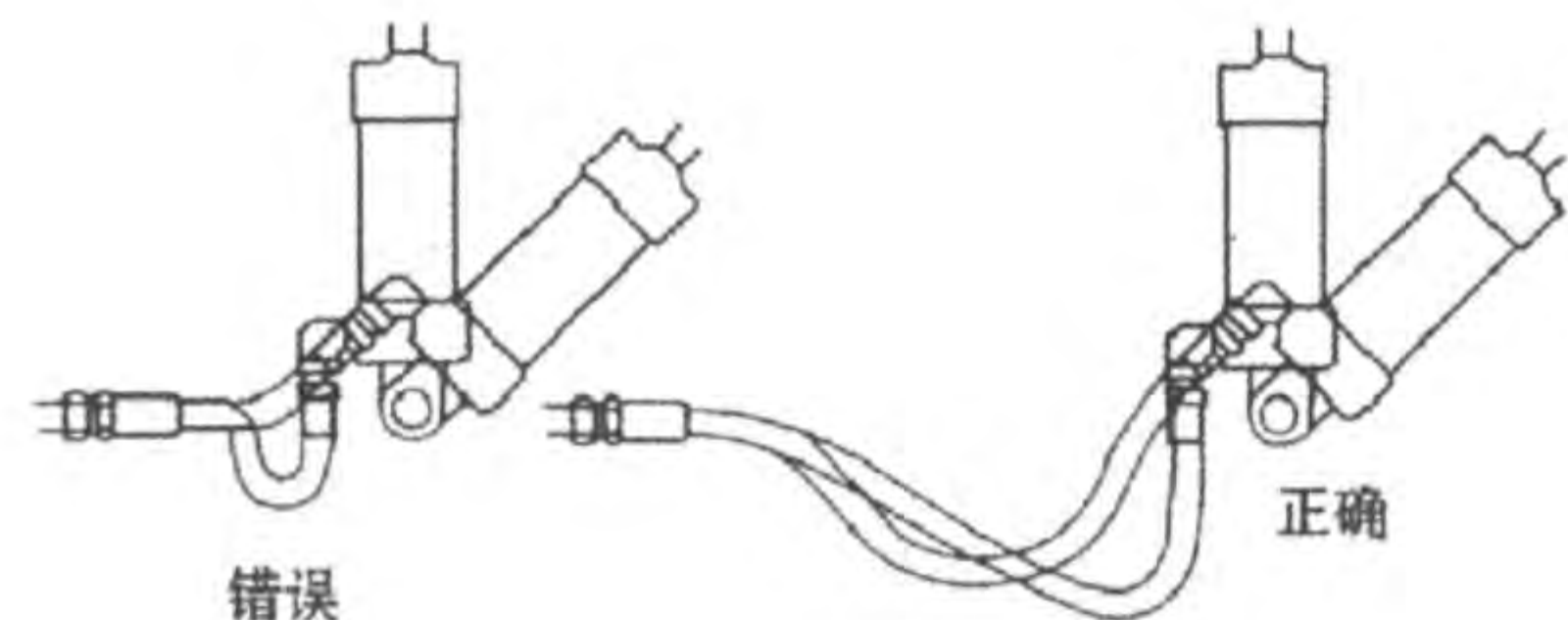
当弯曲半径太小时，宜采用直角接头以免胶管出现急弯。

Choose right angle fittings to avoid too small bending radius and excess force.



为避免胶管被破坏及流量受限制，胶管弯曲半径应尽可能加大。

Hose bending radius should be as big as possible when it is in motion.



安装于移动物体间的胶管，应预留足够的长度，并避免和其他物体摩擦。

Reduce friction; avoid hose touching the object directly or far away from the object.

Correct Assembly Installation

技术说明

Safety Guide For Hose Assemblies

1、胶管尺寸

胶管内径要适当。管径过小会加大管路内介质的流速，是系统发热，降低效率，而且会产生过大的压力降，影响整个系统的性能。若胶管采用管夹固定或胶管过钢板等间隔物时，也要注意胶管的外径尺寸。

2、工作压力

资料中有关胶管的动态工作压力是指胶管的连续工作时允许的最高压力。按照有关国际标准规定的液压胶管的安全系数，我们推荐的工作压力通常为胶管最低爆破压力值的四分之一。

3、冲击压力和疲劳寿命

胶管的选择是根据液压系统设计的最高压力值来确定的。由于液压系统的压力值通常是动态的，有时会出现冲击力，冲击压力峰值会大大高于系统的最高压值。但系统上一般都有溢流阀，故冲击压力不会严重影响胶管的疲劳寿命。对于冲击压力特别频繁的液压系统，建议选用特别耐脉动冲击的胶管产品。

4、温度范围

用户应该在胶管质量规范允许的温度内使用胶管，如果工作环境温度超过这一范围，将会影响到胶管的寿命，其承压能力也会大大降低。工作环境温度长期过高或过低的系统，建议采用软管护套。

5、化学相容性

若使用特殊的液压介质，用户应确保所选用的胶管总成其胶管内，外层，接头以及O型密封圈与介质相容。

6、弯曲半径

安装胶管总成时应注意到胶管的最小弯曲半径，若弯曲半径过小，将降低胶管的承压能力并影响其使用寿命。

7、磨擦

胶管在使用时常与硬物接触或磨擦，建议在胶管外部加弹簧护套。

影响胶管总成使用情况的因素很多，只有按照工况正确选用胶管及接头，才能保证使用胶管的可靠性和经济性。

这些因素有：有关利通液压高压总成的其他技术问题，欢迎垂询。

There are many factors which can affect the usage condition of hose assembly, use the hose assembly and hose fittings in a correct way can ensure its reliability and economical efficiency. These factors are as follows:

1, Hose Dimension

The selection of hose inside diameter must be correctly made. If the hose inside diameter is too small, it will speed up the medium in the pipe-line, heated the system, lower the efficiency and produce excessive pressure drop which will affect the whole system's capability. If it will fix with hose clamp or cross the steel board, the outside diameter of hose should be pay more attention.

2, Working Pressure

The dynamic working pressure in this catalog refers to the allowable maximum pressure in condition of continuously working. According to the safety modulus of hydraulic hose ruled by international standard, we recommend that the working pressure is one quarter of the minimum blast Pressures.

3, Impact Pressure & Fatigue Life-span

After determining the maximum system pressure for a hydraulic system, hose selection can be made. For the hydraulic system's pressure always be dynamic, there often appears an impact pressure, the maximum impact pressure is much higher than the maximum system pressure. To be luckily, there is an over fall valve in every hydraulic system, so high impact pressure cannot affect the fatigue life-span seriously. As for hydraulic system whose impact pressure appears very frequently, we advise you choose the special hydraulic hose which is able to endure the high impact pressure.

4, Temperature Range

User must ensure that the temperature is in an allowable range of hose, if exceeding this range, the life-span of hose will be shorten, and the capacity to endure pressure will get down. If the working condition temperature keep too high or too low in a long time, we advice you use the hose spring guard.

5, Chemical Compatibility

If use special hydraulic medium, user should ensure the material of hose inner side and cover, the hose fittings and O-ring can compatible with the special hydraulic medium.

6, Bending Radius

Pay more attention to its minimum bending radius when install the hose assembly, if the bending radius is smaller than the minimum one, the capacity of enduring pressure will get down and the life-span of hose will be shortened.

7, Friction

We advised you use a spring guard if the hose assembly is always in the condition of touching and making friction with hard object. Any technical question about Letone hydraulic hose assembly, welcome to inquire!

软管代号及技术参数

Hose Part No. And Specification

软管类型	软管标准	软管简号	口径 I.D																			
			标号 DASH	5	6	8	10	13	16	19	22	25	32	38	51							
钢丝 编织 软管 Steel Wire Braid Hose	SAE 100R1AT	1T	最小弯曲半径	89	102	114	127	178	203	241												
			工作压力(Mpa)	20.7	19.0	17.2	15.5	13.8	10.3	8.6												
	SAE 100R2AT	2T	最小弯曲半径	89	102	114	127	178	203	241												
			工作压力(Mpa)	34.5	34.5	29.3	27.6	24.1	19.0	15.5												
	DIN 20022 1SN	1SN	最小弯曲半径	90	100	115	130	180	200	240												
			工作压力(Mpa)	25.0	22.5	21.5	18.0	16.0	13.0	10.5												
	DIN 20022 2SN	2SN	最小弯曲半径	90	100	115	130	180	200	240												
			工作压力(Mpa)	41.5	40.0	35.0	33.0	27.5	25	21.5												
	GB 3683 1型	1W	最小弯曲半径	90	100	115	130	180	205	240	280											
			工作压力(Mpa)	21.0	20.0	17.5	16.0	14.0	10.5	9.0	8.0											
	GB 3683 2型	2W	最小弯曲半径	90	100	115	130	180	205	240	280											
			工作压力(Mpa)	35.0	35.0	32.0	28.0	25.0	20.0	16.0	14.0											
SAE 100 R12	R12	最小弯曲半径				127	178	203	241													
		工作压力(Mpa)				27.6	27.6	27.6	27.6	27.6												
DIN 20023-4SP	4SP	最小弯曲半径		150		180	230	250	300													
		工作压力(Mpa)		50.0		46.0	42.5	40.0	38.0													
DIN 20023-4SH	4SH	最小弯曲半径						250	280													
		工作压力(Mpa)					45.0	42.0														
GB10544 3型	4SC	最小弯曲半径	100	125	140	150	205	235	280													
		工作压力(Mpa)	69.0	60.5	56.0	51.5	43.0	38.0	34.5													
GB10544 4型	4SE	最小弯曲半径					200		280													
		工作压力(Mpa)					55.0		42.0													

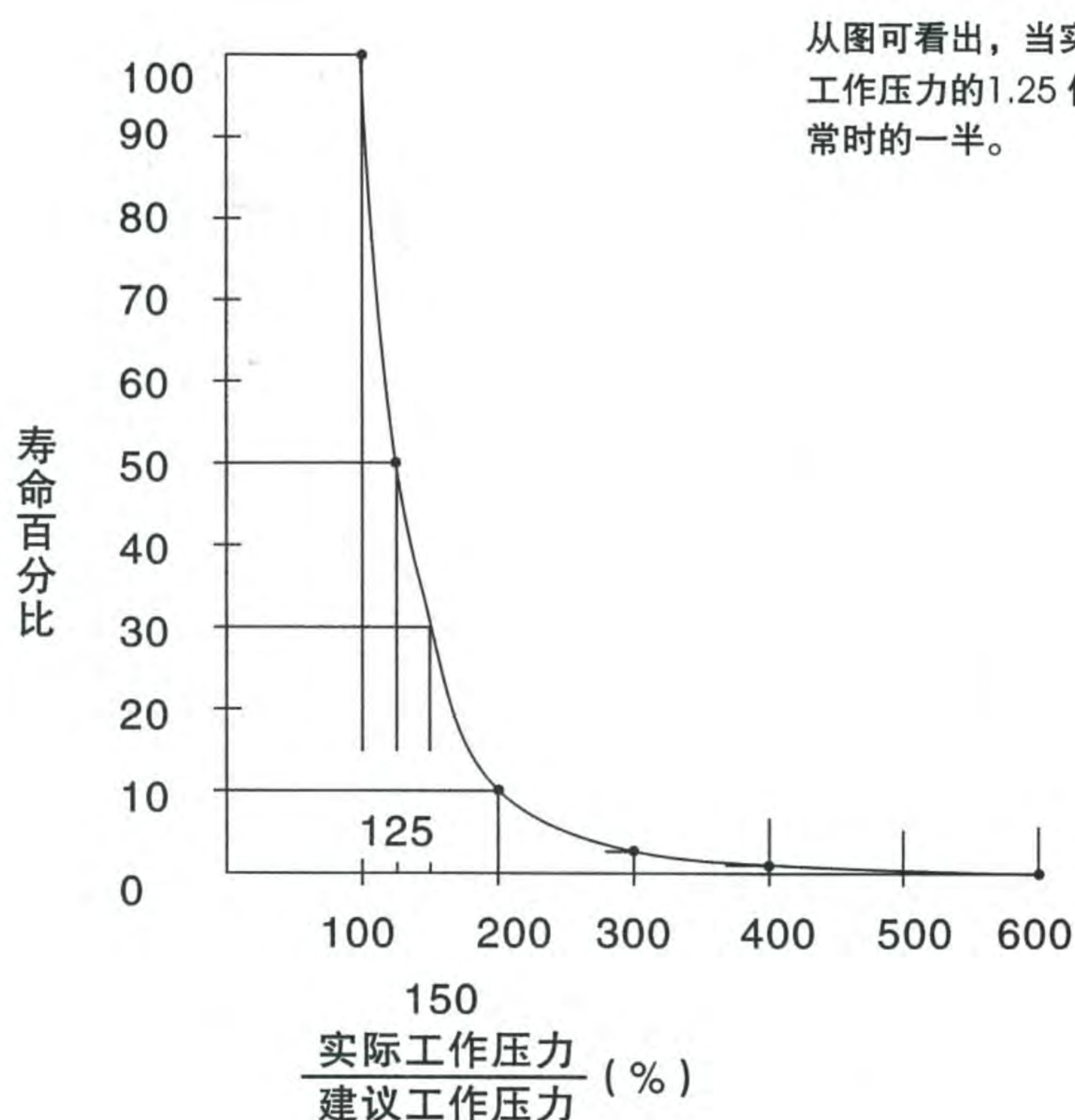
软管与接头芯、套筒配用表

Hose And Suitable Fittings, Ferrule

软管筒号	通径 I.D	5	6	8	10	13	16	19	22	25	32	38	51
1T	标号 DASH	-03	-04	-05	-06	-08	-10	-12	-14	-16	-20	-24	-32
	配用套筒	00110-03A	00110-04A	00110-05A	00110-06A	00110-08A	00110-10A	00110-12A	00110-16A	00110-20	00110-24	00110-32	
1SN	配用接头芯	XXXXX1-											
2T	配用套筒	03310-03A	03310-04A	03310-05A	03310-06A	03310-08A	03310-10A	03310-12A		03310-16A	03310-20	03310-24	03310-32
2SN	配用接头芯	XXXXX1-											
1W	配用套筒	00100-03	00100-04	00100-05	00100-06	00100-08	00100-10	00100-12	00100-14	00100-16	00100-20	00100-24	00100-32
2W	配用接头芯	XXXXX1-											
R12	配用套筒	00200-03	00200-04	00200-05	00200-06	00200-08	00200-10	00200-12	00200-14	00200-16	00200-20	00200-24	00200-32
	配用接头芯	XXXXX1-											
4SP	配用套筒		00400-04		00400-06	00400-08	00400-10	00400-12		00400-16	01400-20	014100-24	01400-32
	配用接头芯	XXXXX2-											
4SH	配用套筒		00400-04		00400-06	00400-08	00400-10	00400-12		00400-16	00400-20	00400-24	00400-32
	配用接头芯	XXXXX2-											
4SC	配用套筒		01401-04		01401-06	01401-08		01401-12		01401-16	00400-20	00400-24	00400-32
	配用接头芯	XXXXX2-											
4SE	配用套筒				01400-08			01400-12		01400-16	01400-20	01400-24	01400-32
	配用接头芯	XXXXX2-											

软管实际工作压力与寿命关系图

Hose Actual Working Pressure-Working Life



从图可看出，当实际工作压力为建议工作压力的1.25倍时，其寿命仅为正常时的一半。

贮存要求

Storage Requirements

软管总成的贮存要求

- 只要有可能，贮存温度应当在0~35° C 之间，贮存期间产品的温度最高不得超过50° C。
- 贮存区不得停放能产生臭氧的装置。如汞蒸气灯、高电压电气装置、电动机或其他能产生电火花或放电的装置。
- 不能与腐蚀性产品放在一起或暴露在这些产品的挥发气体中。
- 应远离热源和能产生电场和磁场的设备。
- 应避免阳光或强烈人造光源直射。
- 应避免与尖锐的物体或地面接触。
- 应平放，堆叠不能很高。
- 应保证不受啮齿类动物的侵害。
- 贮存时遵守先进先出的原则。

LT581 SAE 100R12 钢丝缠绕橡胶软管 SAE 100R12 WIRE SPIRAL HYDRAULIC RUBBER HOSE	1
LT582 SAE 100R13 钢丝缠绕橡胶软管 SAE 100R13 WIRE SPIRAL HYDRAULIC RUBBER HOSE	2
LT583 EN856-4SP 钢丝缠绕橡胶软管 EN856-4SP WIRE SPIRAL HYDRAULIC RUBBER HOSE	3
LT585 矿用钢丝缠绕橡胶软管 WIRE SPIRAL HYDRAULIC RUBBER HOSE FOR MINING	4
LT588 EN856-4SH 钢丝缠绕橡胶软管 EN856-4SH WIRE SPIRAL HYDRAULIC RUBBER HOSE	5
LT589 SAE 100R15 重型高脉冲多层钢丝增强橡胶软管 SAE 100R15 WIRE SPIRAL HYDRAULIC RUBBER HOSE	6
LT590 ISO 6807 大口径钢丝缠绕橡胶软管 ISO 6807 LARGE SIZE WIRE SPIRAL HYDRAULIC RUBBER HOSE	7
LT591 超低温钢丝缠绕液压橡胶软管 SUPER LOW TEMPERATURE RESISTANT WIRE SPIRAL HYDRAULIC RUBBER HOSE	8
LT599 ISO18752-CC 大力神钢丝缠绕软管 ISO18752-CC ARTERY® WIRE SPIRAL HYDRAULIC RUBBER HOSE	9
LTSA599 ISO18752-DC 超级大力神钢丝缠绕软管 ISO18752-DC SUPER ARTERY® STEEL WIRE SPIRAL SERIES	10

LT681 SAE 100RAT / EN853SN 钢丝编织橡胶软管 SAE 100RAT / EN 853SN WIRE BRAID HYDRAULIC RUBBER HOSE	11
LT682 SAE 100RA / EN853ST 钢丝编织橡胶软管 SAE 100RA / EN 853ST WIRE BRAID HYDRAULIC RUBBER HOSE	12
LT683 EN 857SC 钢丝编织橡胶软管 EN 857SC WIRE BRAID HYDRAULIC RUBBER HOSE	13
LT684 SAE 100RAT / EN853 SN 耐热油钢丝编织橡胶软管 SAE 100RAT / EN853 SN HOT OIL RESISTANT WIRE BRAID HYDRAULIC RUBBER HOSE	14
LT685 MT / T98 -2006 矿用钢丝编织橡胶软管 MT / T98 -2006 WIRE BRAID HYDRAULIC RUBBER HOSE FOR MINING	15
LT686 MT / T98 -2006 大口径钢丝编织橡胶软管 MT / T98 -2006 LAREG SIZE WIRE BRAID HYDRAULIC RUBBER HOSE	16
LT687 SAE 100R16 紧凑型高压1和2层钢丝缠绕增强橡胶软管 COMPACT HIGH PRESSURE, ONE/TWO STEEL WIRE BRAIDS REINFORCED HYDRAULIC RUBBER HOSE	17
LT688 SAE 100R17 紧凑型21MPa最大工作压力1和2层钢丝增强橡胶软管 COMPACT ONE/TWO WIRE BRAIDS REINFORCED HYDRAULIC RUBBER HOSE(MAX.WORKING PRESSURE: 21MPA)	18
LT689 SAE 100R19 紧凑型28MPa最大工作压力1和2层钢丝增强橡胶软管 致密性型28MPa最大工作压力1和2层钢丝增强橡胶软管 COMPACT ONE/TWO WIRE BRAIDS REINFORCED HYDRAULIC RUBBER HOSE(MAX.WORKING PRESSURE: 28MPA)	19
LT691 超低温钢丝编织液压橡胶软管 SUPER LOW TEMPERATURE RESISTANT WIRE BRAID HYDRAULIC RUBBER HOSE	20
LT699 ISO18752-AC/BC 大力神钢丝编织软管 ISO18752-AC/BC ARTERY® WIRE BRAID HYDRAULIC RUBBER HOSE	21
LTSA699 ISO18752-BC/CS 超级大力神钢丝编织软管 ISO18752-BC/CS SUPER ARTERY® STEEL WIRE BRAIDE SERIES	22

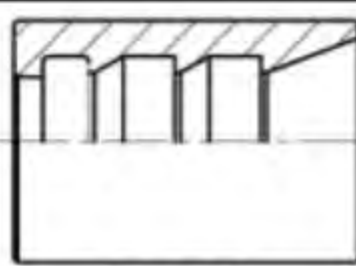
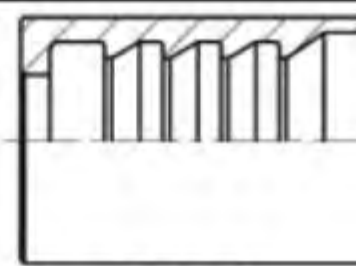
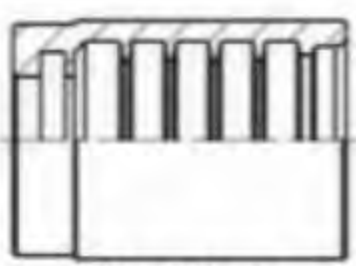


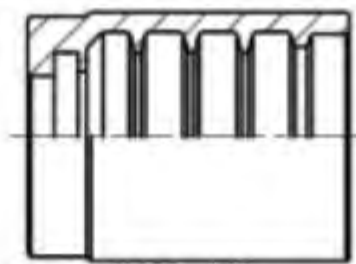

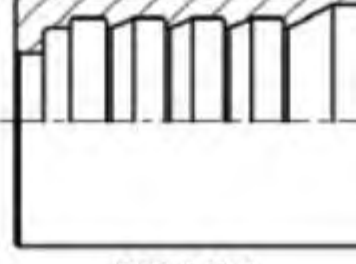

FIBER REINFORCED RUBBER HOSE & THERMOPLASTIC HOSE

纤维增强软管 & 树脂软管







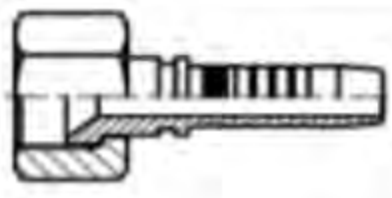


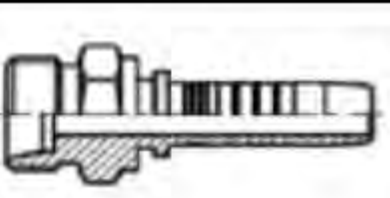
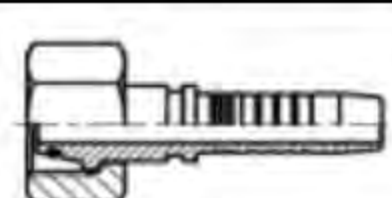
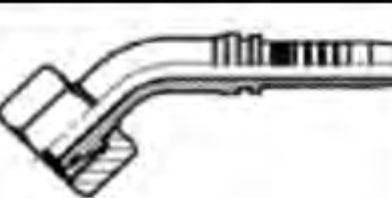
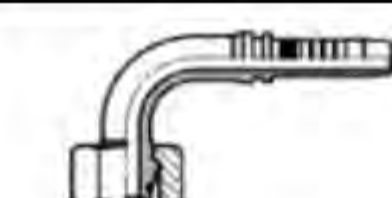

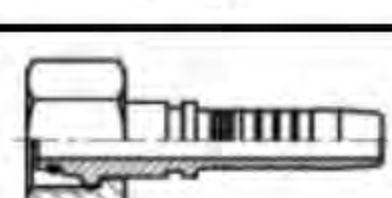
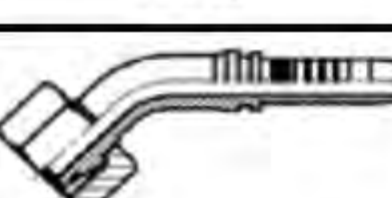
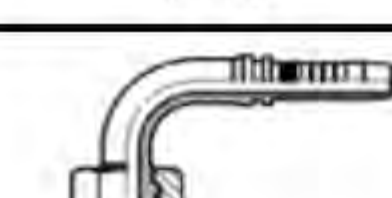
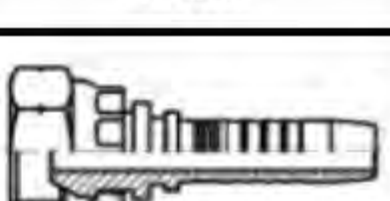
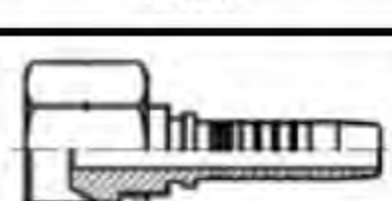
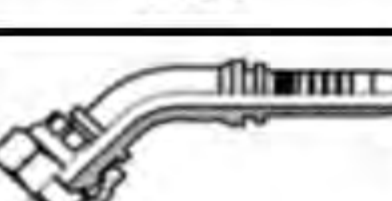
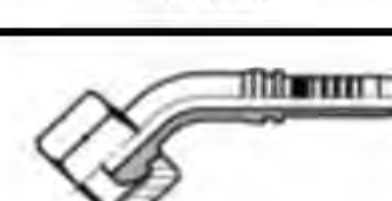
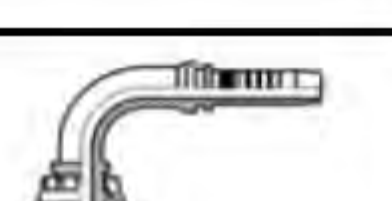
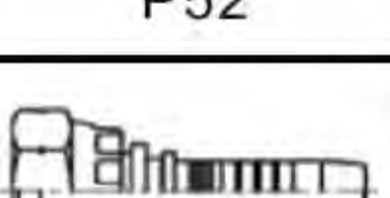
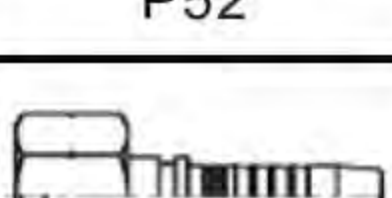
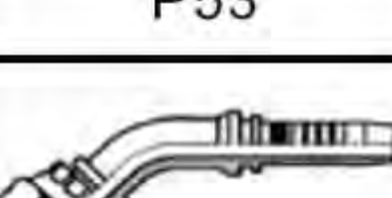
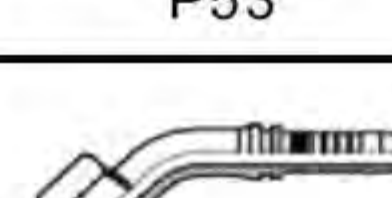
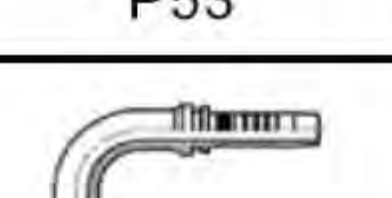
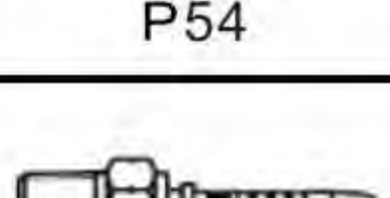
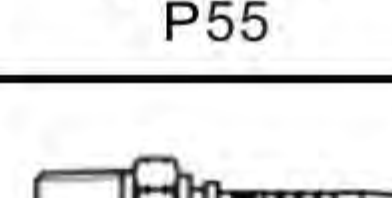
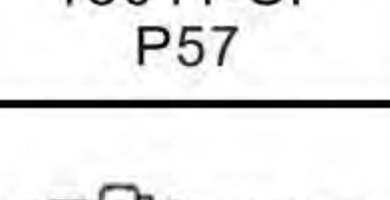
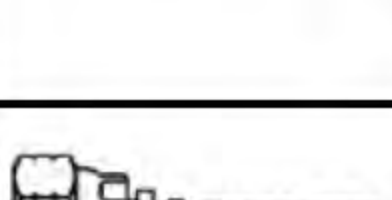

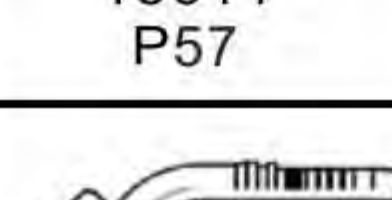

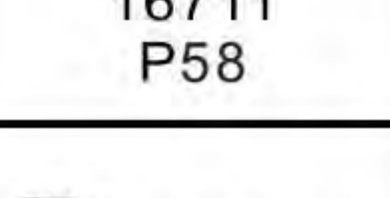
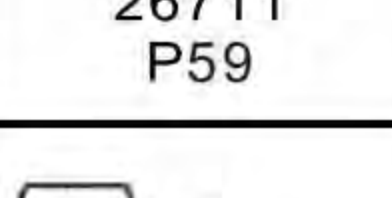
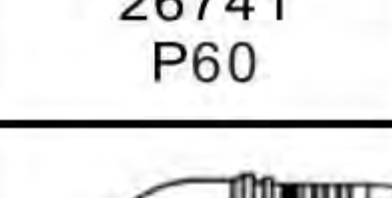
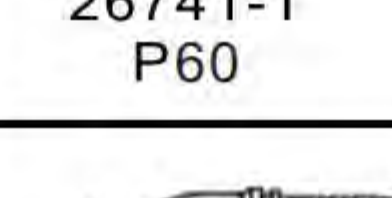
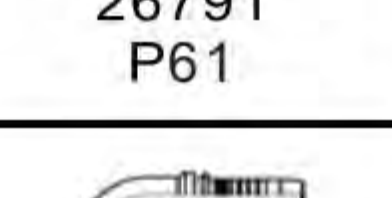
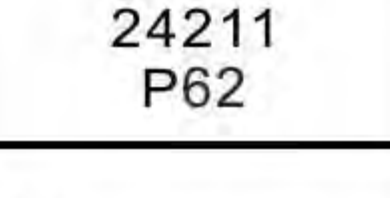
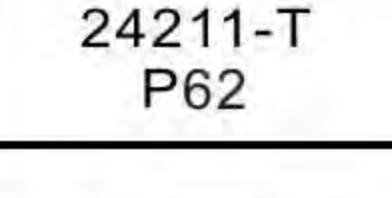

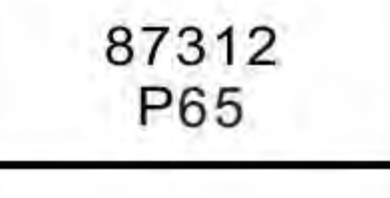
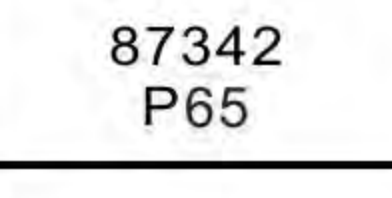
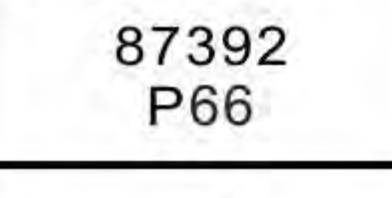
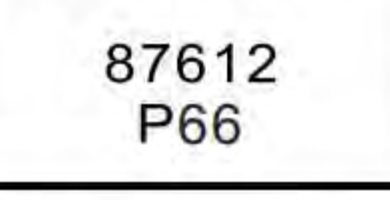
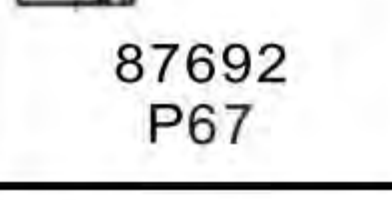

LT781 SAE 100R3 耐油橡胶软管 SAE 100R3 OIL RESISTANT RUBBER HOSE	23
LT782 SAE 100R4 液压吸引橡胶软管 SAE 100R4 HYDRAULIC SUCTION RUBBER HOSE	24
LT783 SAE 100R5 液压橡胶软管 SAE 100R5 HYDRAULIC RUBBER HOSE	25
LT784 SAE 100R6 液压橡胶软管 SAE 100R6 OIL RUBBER HOSE	26
LT785 GB1186 压缩空气软管 GB1186 COMPRESSED AIR RUBBER HOSE	27
LT786 HG/T3036 钢丝编织蒸汽软管 HG/T3036 WIRE BRAID STEAM RUBBER HOSE	28
LT787 EN854-2TE, 3TE 低压回油软管 EN854-2TE, 3TE LOW PRESSURE OIL RETURN RUBBER HOSE	29
LT788 喷沙软管 SAND BLASTING RUBBER HOSE	30
LT789 QC/T664 汽车空调管系列 QC/T664 AUTOMOTIVE A/C HOSE SERIES	31
LT790 SAE 100R7 纤维编织高压树脂软管 SAE 100R7 FIBER BRAID HIGH PRESSURE THERMOPLASTIC HOSE	32
LT791 SAE 100R7 钢丝编织高压树脂软管 SAE 100R7 WIRE BRAID HIGH PRESSURE THERMOPLASTIC HOSE	33
LT792 SAE 100R7 纤维编织双联树脂软管 SAE 100R7 FIBER BRAID THERMOPLASTIC TWIN HOSE	34
LT793 SAE 100R7 钢丝编织双联树脂软管 SAE 100R7 WIRE BRAID THERMOPLASTIC TWIN HOSE	35
LT794 SAE 100R8 芳纶纤维编织高压树脂软管 SAE 100R8 ARAMID FIBER BRAID HIGH PRESSURE THERMOPLASTIC HOSE	36
LT795 69MPa超高压树脂软管 69MPa ULTRA-HIGH PRESSURE THERMOPLASTIC HOSE	37
LT796 100MPa超高压树脂软管 100MPa ULTRA-HIGH PRESSURE THERMOPLASTIC HOSE	38
LT797 150MPa超高压树脂软管 150MPa ULTRA-HIGH PRESSURE THERMOPLASTIC HOSE	39
LT798 200MPa超高压树脂软管 200MPa ULTRA-HIGH PRESSURE THERMOPLASTIC HOSE	40

FERRULE

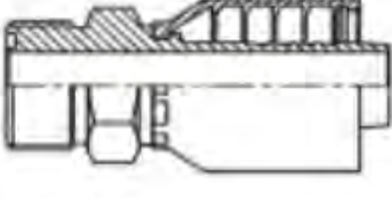
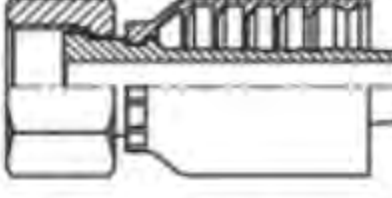


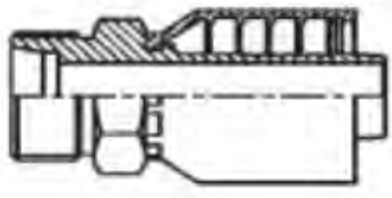
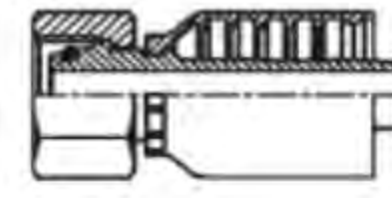


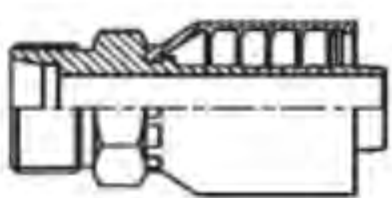
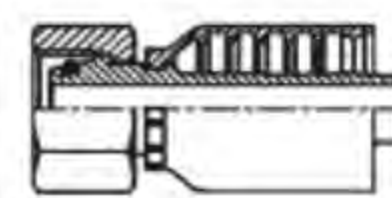


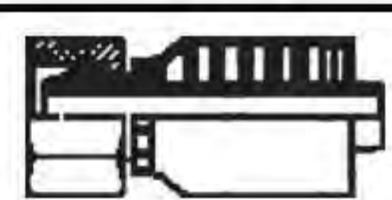


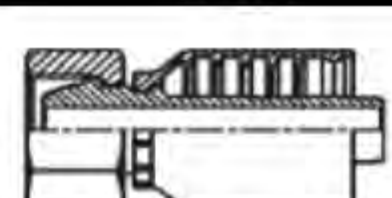



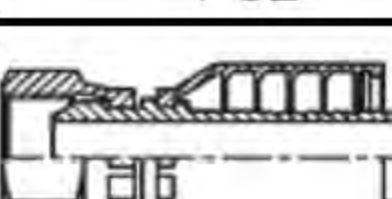
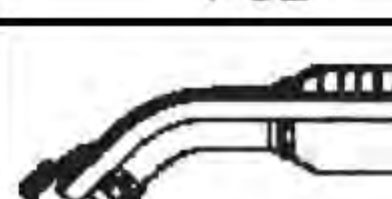

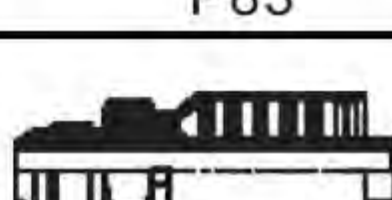
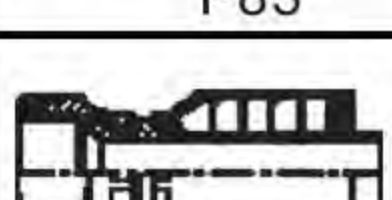
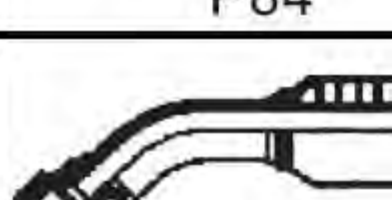

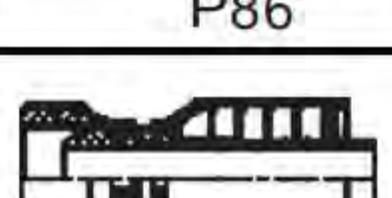


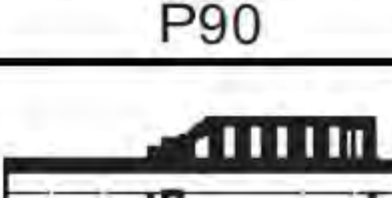
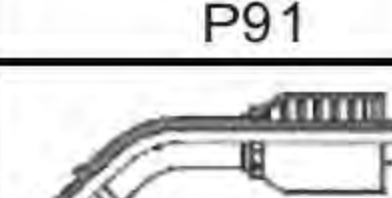
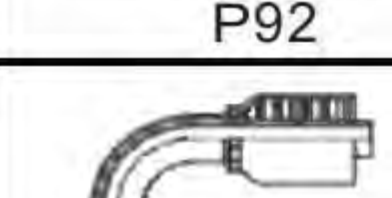
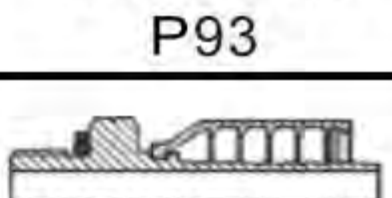
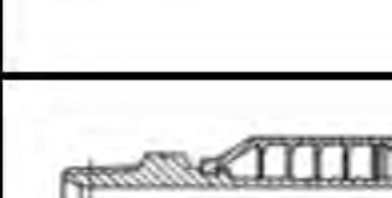
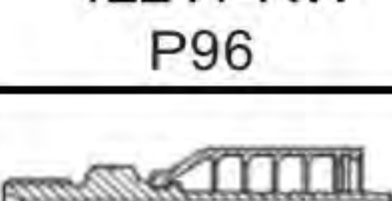
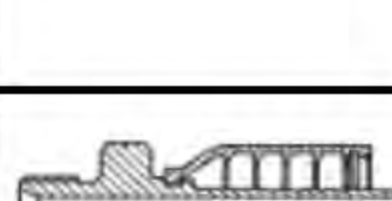

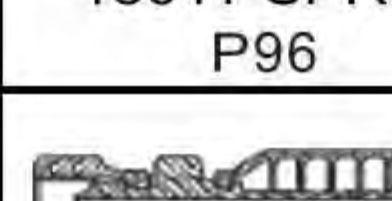
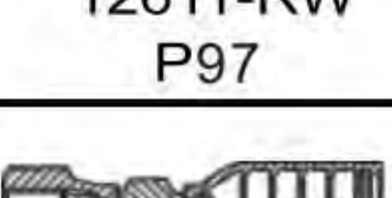
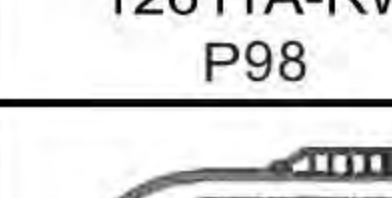

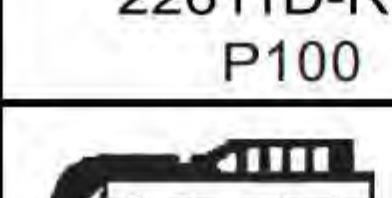
套筒

一层钢丝剥外胶套筒 FERRULE FOR GB 3863 1TYPE, DIN 200221ST, SAE 100R1A HOSE	 <p>00100 P41</p>	一层钢丝不剥胶套筒 FERRULE FOR SAE 100R1AT, DIN20022 1SN HOSE	 <p>00110 P41</p>
一层钢丝不剥胶套筒 FERRULE FOR SAE 100R1AT, DIN20022 1SN HOSE	 <p>00110-A P42</p>	二层钢丝剥外胶套筒 FERRULE FOR GB3863 2 TYPE, DIN 20022 1ST, SAE 100R2A HOSE	 <p>00200 P42</p>
二层钢丝不剥胶套筒 FERRULE FOR GB3863 2 TYPE, DIN 20022 2SN, SAE 100R2AT HOSE	 <p>00210 P43</p>	二层钢丝不剥胶套筒 FERRULE FOR GB3863 2 TYPE, DIN 20022 2SN, SAE 100R2AT HOSE	 <p>00310 P43</p>
四层钢丝剥外胶套筒 FERRULE FOR DIN 20023- 4SH20-32 HOSE	 <p>00400 P44</p>	四层钢丝剥外胶套筒 FERRULE FOR DIN 20023- 4SH20-32 HOSE	 <p>00401 P44</p>
多层钢丝剥内外胶套筒 INTERLOCK FERRULE FOR SAE 100R13/R15,4SH/12-16 HOSE	 <p>00621 P44</p>		

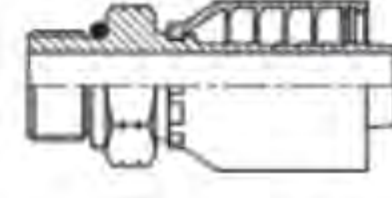
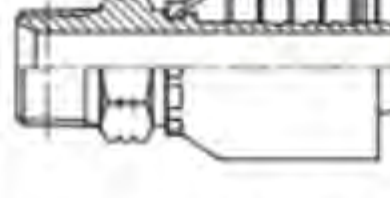
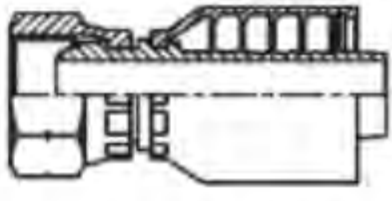


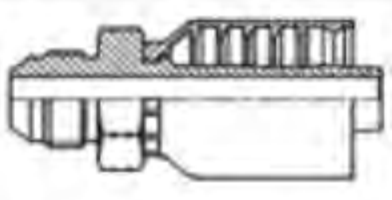
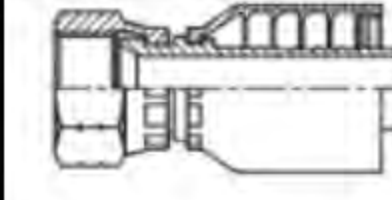


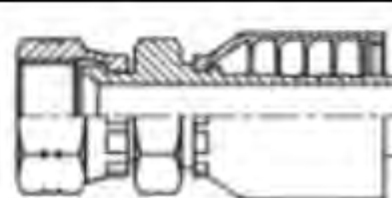



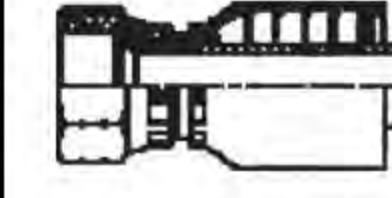
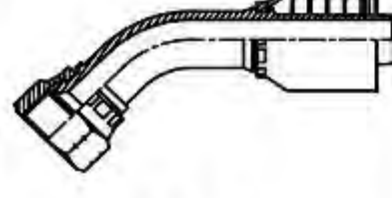

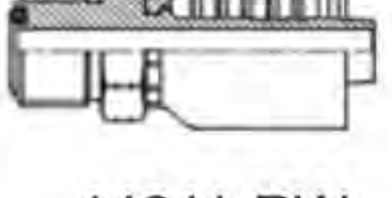






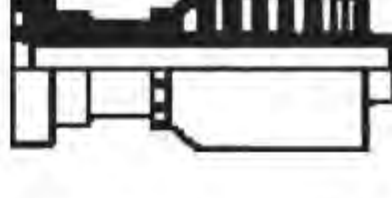

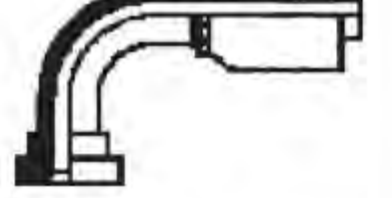

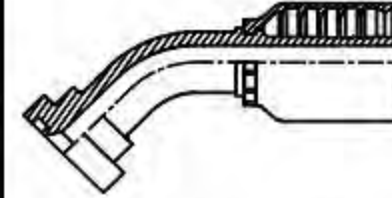
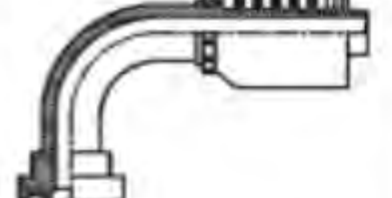



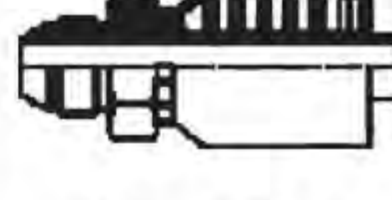


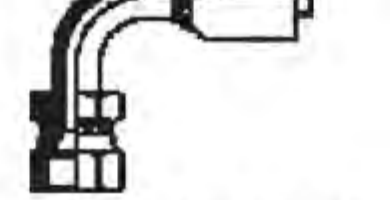




HOSE FITTING
软管接头

公制螺纹 平面密封 METRIC FLAT SEAL	 20211 P45	 20211-T P45	 20241 P45	 20241-T P45	 20291 P46
公制螺纹74°锥密封 METRIC THREAD 74° FITTING	 20711 P46	 20711-T P46	 20741 P47	 20791 P47	
公制螺纹24°锥密封 轻系列 METRIC 24° ONE SEAT L.T.	 10411 P48	 20411-T P48	 20441-T P49	 20491-T P49	
公制螺纹24°锥密封 重系列 METRIC 24° ONE SEAT S.T.	 10511 P50	 20511-T P50	 20541-T P51	 20591-T P51	
英管螺纹60°锥密封 BSP 60° CONE SEAT	 22611 P52	 22611-T P52	 22641 P53	 22641-T P53	 22691 P53
英管螺纹球面密封 BSP FEMALE MULTISEAL	 22111 P54	 22111-T P54	 22141 P55	 22141-T P55	 22191 P56
英锥管螺纹 BSPT MALE	 13011-SP P57		美制锥螺纹 NPT MALE	 15611 P57	
美制JIC螺纹74°锥密封 JIC 74° CONE	 16711 P58	 26711 P59	 26741 P60	 26741-T P60	 26791 P61
美制ORFS螺纹平面密封 ORFS FLAT SEAT	 24211 P62	 24211-T P62	 24241 P63	 24241-T P63	 24291 P64
SAE法兰式3000PSI 轻系列 SAE FLANGE L.T.	 87312 P65	 87342 P65	 87392 P66		
SAE法兰式6000PSI 重系列 SAE FLANGE S.T.	 87612 P66	 87642 P67	 87692 P67		
公制铰接体 METRIC BANJO	 70011-RW P68	英制铰接体 BSP BANJO	 72011-RW P69	法兰夹 FIANGE CIAMPS	 FL FS P128

软管接头
HOSE FITTING

公制螺纹 平面密封 METRIC FLAT SEAL	 10311-RW P70	 20211-RW P71	 20241-RW P72	 20291-RW P73	
公制螺纹24°锥密封 轻系列 METRIC 24° ONE SEAT L.T.	 10411-RW P74	 20411-RW P75	 20441-RW P76	 20491-RW P77	
公制螺纹24°锥密封 重系列 METRIC 24° ONE SEAT S.T.	 10511-RW P78	 20511-RW P78	 20541-RW P79	 20591-RW P79	
公制螺纹24°球面 轻系列 METRIC 24° MULTI SEAT L.T.	 20411C-RW P80	 20441C-RW P80	 20491C-RW P81		
公制螺纹24°球面 重系列 METRIC 24° MULTI SEAT S.T.	 20511C-RW P81	 20541C-RW P82	 20591C-RW P82		
公制螺纹60°锥密封 METRIC 60° ONE SEAT	 10611-RW P83	 20611-RW P83	 20641-RW P84	 20691-RW P85	
公制螺纹74°锥密封 GB METRIC 74° CONE	 10711-RW P86	 20711-RW P87	 20741-RW P88	 20791-RW P89	
公制螺纹球面密封 METRIC FEMALE MULTISEAL	 20111-RW P90	 20141-RW P91	 20191-RW P92		
公制卡套直管 METRIC STANDPIPE STRAIGHT	 50011-RW P93	 50041-RW P94	 50091-RW P95		
英管螺纹O形圈密封 BSP MALE O-RING SEAL	 12211-RW P96		英锥管螺纹 BSPT MALE	 13011-SPRW P96	
英管螺纹60°锥密封 BSP 60° CONE SEAT	 12611-RW P97	 12611A-RW P98	 22611-RW P99	 22611D-RW P100	
	 22611D-SMRW P100	 22641-RW P101	 22691-RW P103	 22691K-RW P103	

HOSE FITTING
软管接头

美制SAE螺纹O形圈密封 SAE O-RING MALE	 16011-RW P103		美制锥螺纹 NPT MALE	 15611-RW P104	
英管螺纹球面密封 BSP FEMALE MULTISEAL	 22111-RW P105	 22141-RW P106	 22191-RW P107		
美制JIC螺纹74° 锥密封 JIC 74° CONE	 16711-RW P108	 26711-RW P109	 26741-RW P110	 26791-RW P111	
	 26711D-RW P112	 26711D-SMRW P112	 26791K-RW P113		
美制SAE螺纹90° 锥密封 SAE 90° CONE SEAT	 17811-RW P113	 27811-RW P113	 27841-RW P114	 27891-RW P114	
美制ORFS螺纹平面密封 ORFS FLAT SEAT	 14211-RW P114	 24211-RW P115	 24241-RW P116	 24291-RW P117	
美制NPSM螺纹60° 锥面密封 NPSM FEMALE 60° CONE SEAT	 21611-RW P118	 21641-RW P118	 21691-RW P119		
SAE法兰式3000PSI 轻系列 SAE FLANGE L.T.	 87311-RW P119	 87341-RW P120	 87391-RW P120		
SAE法兰式6000PSI 重系列 SAE FLANGE S.T.	 87611-RW P121	 87641-RW P121	 87691-RW P122		
日制法兰 JIS FLANGE	 88111-RW P123	 88141-RW P123	 88191-RW P123		
日式公制螺纹60° 锥密封 JIS METRIC 60° CONE SEAT	 18611-RW P124	 28611-RW P124	 28641-RW P125	 28691-RW P125	
日式英管螺纹60° 锥密封 JIS BSPP 60° CONE SEAT	 19611-RW P126	 29611-RW P126	 29641-RW P127	 29691-RW P127	


LT581 SAE 100R12
钢丝缠绕橡胶软管
WIRE SPIRAL HYDRAULIC RUBBER HOSE
用途:

适用于使用石油基液压油，温度范围-40℃~+121℃(-40°F~+250°F)的软管，适用于苛刻条件下的高温中压软管。

结构:

软管由一层耐热油合成橡胶内胶层、4层钢丝缠绕层和一层耐油、耐天候合成橡胶外胶层组成。软管执行SAE100R12标准，GB/T10544-2013标准。



APPLICATIONS: This section covers hose for use with petroleum base hydraulic fluids within a temperature range of -40℃~+121℃(-40°F~+250°F).

CONSTRUCTION: This hose shall consist of an inner tube of oil resistant synthetic rubber, four plies of steel wire wrapped in alternating directions and an oil and weather resistant synthetic rubber cover. The hose is made in conformity with SAE 100R12 and GB/T10544-2013.

规格	规格	软管内径 I.D		增强层外径 W.D		软管外径 O.D		最大 工作压力 Max. W.P	试验压力 P.P	最小爆 破压力 Min. B.P	最小弯 曲半径 Min. B.R	参考重量 W.T
		最小 Min	最大 Max	最小 Min	最大 Max	最小 Min	最大 Max					
SIZE	SIZE	mm	mm	mm	mm	mm	mm	MPa	MPa	MPa	mm	kg/m
DASH	IN	mm	mm	mm	mm	mm	mm	MPa	MPa	MPa	mm	kg/m
-6	3/8	9.3	10.1	16.6	17.8	19.5	21.0	28	56	112	125	0.70
-8	1/2	12.3	13.5	19.9	21.5	23.0	24.6	28	56	112	180	0.83
-10	5/8	15.5	16.7	23.8	25.4	26.6	28.2	28	56	112	200	1.12
-12	3/4	18.6	19.8	26.9	28.4	29.9	31.5	28	56	112	240	1.43
-16	1	25.0	26.4	34.1	35.7	36.8	39.2	28	56	112	300	1.90
-20	1 1/4	31.4	33.0	42.7	45.1	45.4	48.6	21	42	84	420	2.80
-24	1 1/2	37.7	39.3	49.2	51.6	51.9	55.0	17.5	35	70	500	3.40
-32	2	50.8	52.0	62.5	64.8	65.1	68.3	17.5	35	70	640	4.25


LT582 SAE 100R13
钢丝缠绕橡胶软管
WIRE SPIRAL HYDRAULIC RUBBER HOSE
用途:

适用于使用石油基液压油，温度范围-40°C~+121°C(-40°F~+250°F)的软管，适用于苛刻条件下的高温中压软管。


结构:

软管由一层耐热油合成橡胶内胶层、多层钢丝缠绕层和一层耐油、耐天候合成橡胶外胶层组成。软管执行SAE100R13标准，GB/T10544-2013标准。



APPLICATIONS: This section covers hose for use with petroleum base hydraulic fluids within a temperature range of -40°C~+121°C(-40°F~+250°F).

CONSTRUCTION: This hose shall consist of an inner tube of oil resistant synthetic rubber, multiple spiral plies of steel wire wrapped in alternating directions and an oil and weather resistant synthetic rubber cover. The hose is made in conformity with SAE 100R13 and GB/T 10544-2013 standard.

规格	规格											
		软管内径 I.D	增强层外径 W.D	软管外径 O.D	最大 工作 压力 Max. W.P	试验 压力 P.P	最小 爆 破 压力 Min. B.P	最小 弯 曲 半径 Min. B.R	参考 重量 W.T			
SIZE	SIZE	最小 Min	最大 Max	最小 Min	最大 Max	最小 Min	最大 Max	MPa	MPa	MPa	mm	kg/m
DASH	IN	mm	mm	mm	mm	mm	mm					
-12	3/4	18.6	19.8	28.2	29.8	31.0	33.2	35	70	140	240	1.50
-16	1	25.0	26.4	34.9	36.4	37.6	39.8	35	70	140	300	2.00
-20	1 1/4	31.4	33.0	45.6	48.0	48.3	51.3	35	70	140	420	3.80
-24	1 1/2	37.7	39.3	53.1	55.5	55.8	58.8	35	70	140	500	4.50
-32	2	50.4	52.0	66.9	69.3	69.5	72.7	35	70	140	640	6.50


LT583 EN 856-4SP
钢丝缠绕橡胶软管
WIRE SPIRAL HYDRAULIC RUBBER HOSE
用途:

适用于使用石油基液压油，温度范围-40°C~+100°C(-40°F~+212°F)的软管。


结构:

软管由一层耐油、合成橡胶内胶层、4层钢丝缠绕层和一层耐油、耐天候合成橡胶外胶层组成。软管执行EN856-4SP标准，GB/T10544-2013标准。



APPLICATIONS: This section covers hose for use with petroleum base hydraulic fluids within a temperature range of -40°C~+100°C(-40°F~+212°F).

CONSTRUCTION: This hose shall consist of an inner tube of oil resistant synthetic rubber, four plies of steel wire wrapped in alternating directions and an oil and weather resistant synthetic rubber cover. The hose is made in conformity with EN856-4SP and GB/T10544-2013 standard.

规格	规格	 软管内径 I.D.		 增强层外径 W.D.		 软管外径 O.D.		 最大 工作压力 Max. W.P.	 试验压力 P.P.	 最小爆 破压力 Min. B.P.	 最小弯 曲半径 Min. B.R.	 参考重量 W.T.
		最小 Min	最大 Max	最小 Min	最大 Max	最小 Min	最大 Max					
DASH	IN	mm	mm	mm	mm	mm	mm					
-4	1/4	6.2	7.0	14.1	15.3	17.1	18.7	45	90	180	150	0.64
-6	3/8	9.3	10.1	16.9	18.1	20.6	22.2	44.5	89	178	180	0.75
-8	1/2	12.3	13.5	19.4	21.0	23.8	25.4	41.5	83	166	230	0.90
-10	5/8	15.5	16.7	23.0	24.6	27.4	29.0	35	70	140	250	1.10
-12	3/4	18.6	19.8	27.4	29.0	31.4	33.0	35	70	140	300	1.44
-16	1	25.0	26.4	34.5	36.1	38.5	40.9	28	56	112	340	1.98
-20	1 1/4	31.4	33.0	45.0	47.0	49.2	52.4	21	42	84	460	2.85
-24	1 1/2	37.7	39.3	51.4	53.4	55.6	58.8	18.5	37	74	560	3.35
-32	2	50.4	52.0	64.3	66.3	68.2	71.4	16.5	33	66	660	5.40

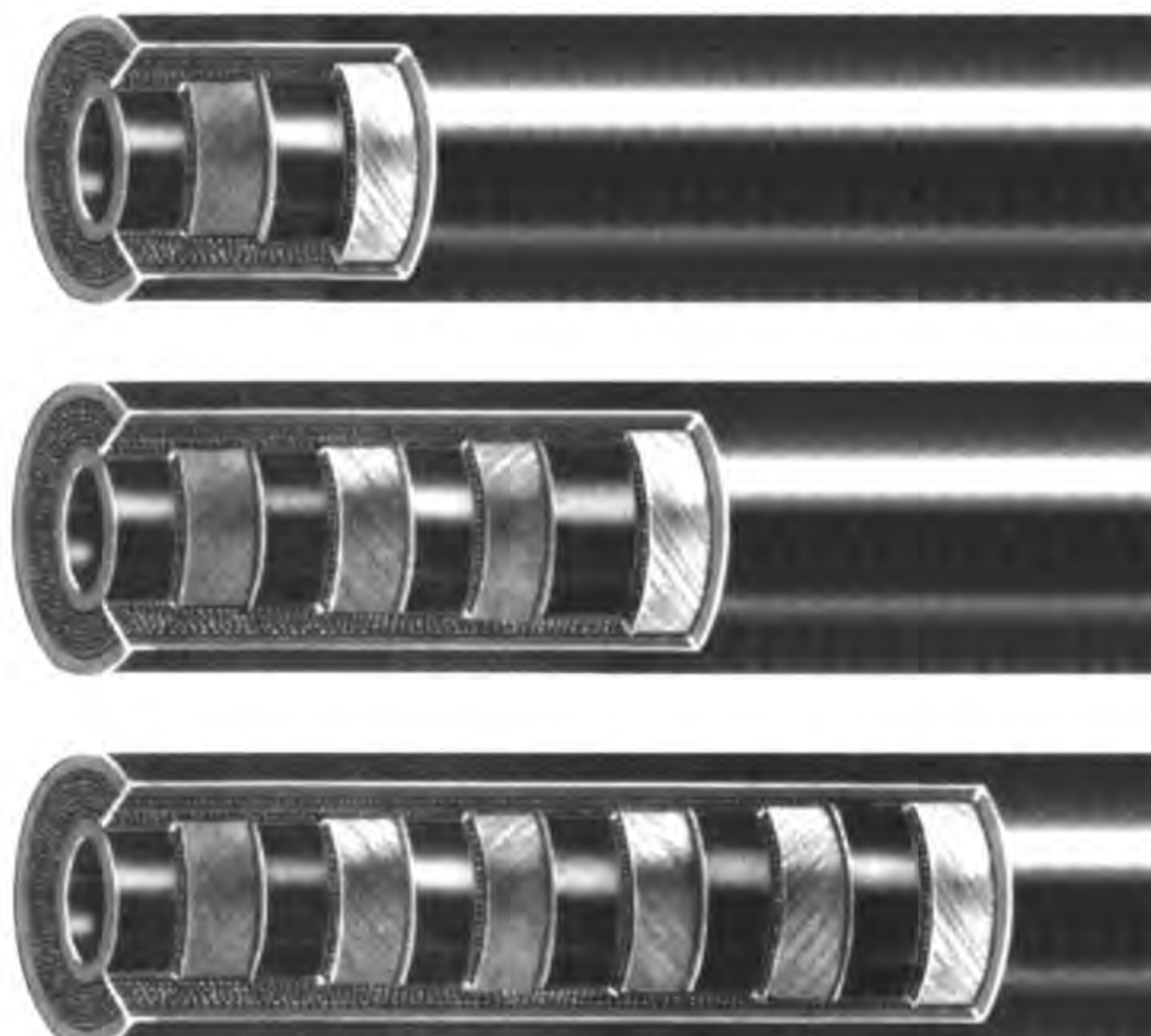

LT585 MT/T98-2006

MT98 矿用钢丝缠绕橡胶软管
WIRE SPIRAL HYDRAULIC RUBBER HOSE FOR MINING
用途:

适用于煤矿液压支架，综合采煤机组等液压系统输送矿物油，水基液压油或水，可在-40°C~+100°C(-40°F~+212°F)使用。

结构:

用耐油和耐天候良好的特种橡胶制造,采用镀铜钢丝增强,外观为黑色布纹。软管执行MT/T98-2006标准。



APPLICATIONS: For delivery of water, mineral oil or water-based hydraulic oil in the hydraulic system of mining machinery and construction machinery ect and working temperature range of -40°C~+100°C(-40°F~+212°F).

CONSTRUCTION: Made of excellent oil resistant and anti-aging rubber, the reinforcement is copper-clad steel wire, hose cover is available in black color with cloth impression. The hoses is made in conformity with MT/T98-2006.

规格	 软管内径 I.D		 增强层外径 W.D		 软管外径 O.D		 最大工作压力 Max. W.P	 试验压力 P.P	 最小爆破压力 Min. B.P	 最小弯曲半径 Min. B.R	 参考重量 W.T
	SIZE	最小 Min	最大 Max	最小 Min	最大 Max	最小 Min	最大 Max	MPa	MPa	MPa	mm
3/8-4	9.7	10.5	18.2	19.8	22.0	24.0	70	105	210	180	1.00
1/2-4	12.7	13.5	21.4	23.0	25.5	27.5	57	86	172	210	1.14
5/8-4	15.7	16.6	25.2	26.8	29.0	31.0	53	80	160	260	1.54
3/4-4	18.7	19.8	29.2	30.8	32.5	35.5	46	69	140	280	1.92
7/8-4	21.7	22.8	32.2	33.8	36.5	39.5	41	62	124	320	2.15
1-4	24.7	25.8	35.2	36.8	39.5	42.5	35	53	112	360	2.21
1 1/4-4	31.6	32.6	43.2	44.8	47.5	50.5	32	48	84	460	3.10
1 1/2-4	37.7	38.8	49.8	51.8	54.5	57.5	25	38	75	560	3.42
1 3/4-4	44.7	45.8	56.8	58.8	61.5	64.5	21	32	64	640	4.03
2-4	50.5	52.0	62.8	64.8	67.5	70.5	21	32	64	720	4.74
3/8-6	9.7	10.5	20.0	22.0	24.0	26.0	80	120	240	180	1.4
1/2-6	12.7	13.5	23.8	25.8	28.5	30.5	72	108	216	210	1.74
5/8-6	15.7	16.6	28.0	30.0	31.5	34.5	70	105	204	260	2.10
3/4-6	18.7	19.8	32.0	34.0	35.5	38.5	60	90	180	280	2.23
7/8-6	21.7	22.8	35.0	37.0	39.5	42.5	53	80	160	320	2.80
1-6	24.7	25.8	38.0	40.0	42.5	45.5	50	75	152	360	3.18
1 1/4-6	31.6	32.6	46.0	48.0	50.5	53.5	41	62	124	460	3.80
1 1/2-6	37.7	38.8	52.8	54.8	57.5	60.5	36	54	108	560	4.39
1 3/4-6	44.7	45.8	59.8	61.8	64.5	67.5	32	48	96	640	5.02
2-6	50.5	52.0	66.2	68.2	71.5	74.0	32	48	96	720	5.98


LT588 EN 856-4SH
钢丝缠绕橡胶软管
WIRE SPIRAL HYDRAULIC RUBBER HOSE
用途:

适用于使用石油基液压油，温度范围-40°C~+100°C(-40°F~+212°F)的软管。

结构:

软管由一层氯丁橡胶内胶层、4层高强度钢丝缠绕层和一层耐油、耐天候合成橡胶外胶层组成。软管执行EN856-4SH标准，GB/T10544-2013标准。



APPLICATIONS: This section covers hose for use with petroleum base hydraulic fluids within a temperature range of -40°C~+100°C(-40°F~+212°F).

CONSTRUCTION: This hose shall consist of an inner tube of oil resistant synthetic rubber, four plies of steel wire wrapped in alternating directions and an oil and weather resistant synthetic rubber cover. The hose is made in conformity with EN856-4SH and GB/T10544-2013.

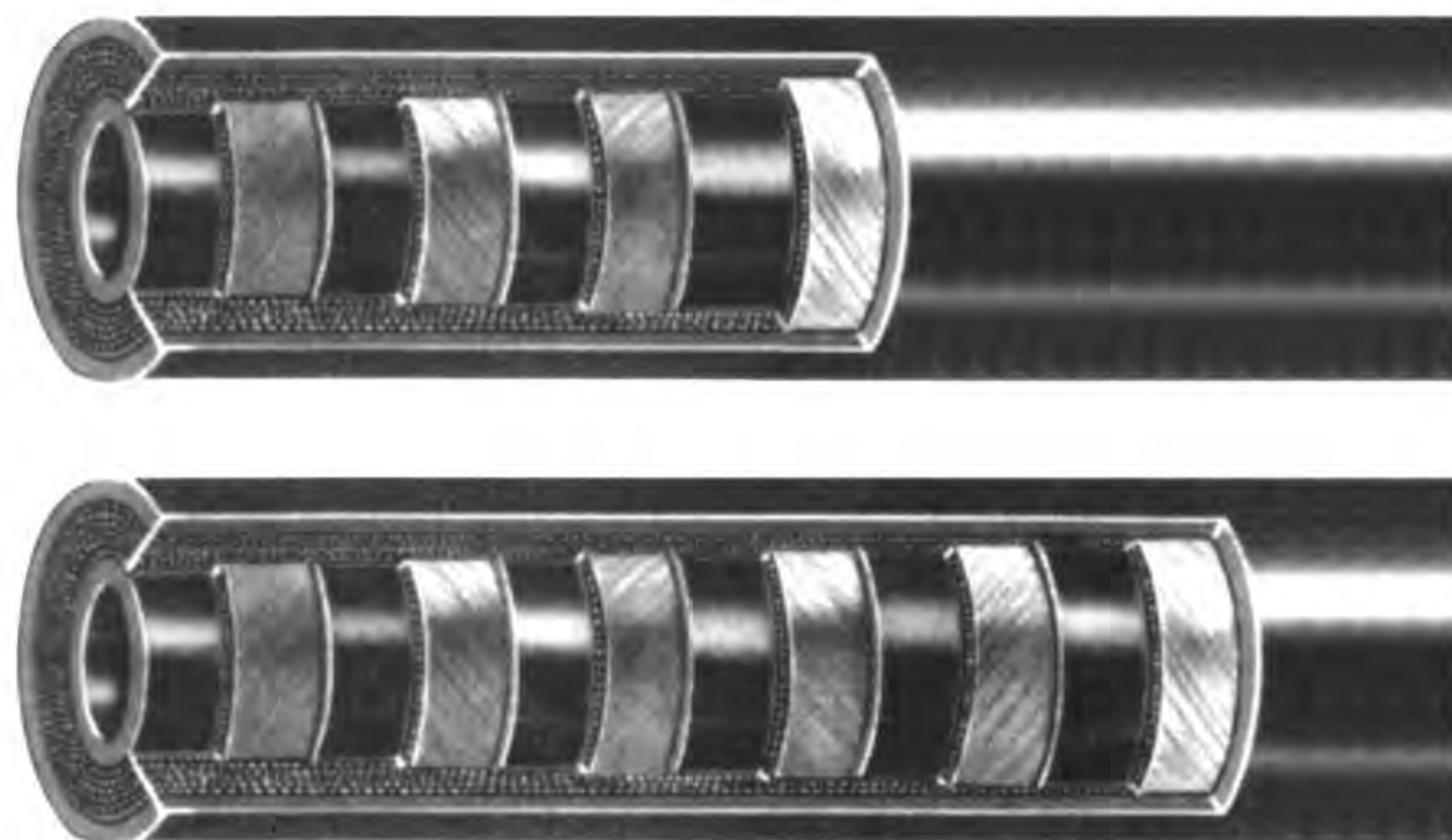
规格	规格	 软管内径 I.D		 增强层外径 W.D		 软管外径 O.D		 最大 工作压力 Max. W.P	 试验压力 P.P	 最小爆 破压力 Min. B.P	 最小弯 曲半径 Min. B.R	 参考重量 W.T
		SIZE	SIZE	最小 Min	最大 Max	最小 Min	最大 Max	最小 Min	最大 Max	MPa	MPa	MPa
Dash	IN	mm	mm	mm	mm	mm	mm					
-10	5/8	15.5	16.7	23.2	24.8	27.4	29.0	45	90	180	250	1.10
-12	3/4	18.6	19.8	27.6	29.2	31.4	33.0	42	84	168	280	1.40
-16	1	25.0	26.4	34.4	36.0	37.5	39.9	38	76	152	340	2.00
-20	1 1/4	31.4	33.0	40.9	42.9	43.9	47.1	32.5	65	130	460	2.55
-24	1 1/2	37.7	39.3	47.8	49.8	51.9	55.1	29	58	116	560	3.05
-32	2	50.4	52.0	62.2	64.2	66.5	69.7	25	50	100	700	4.35


LT589 SAE 100R15
重型高脉冲多层钢丝增强橡胶软管
HEAVY DUTY HIGH IMPULSE MULTIPLE SPIRAL STEEL WIRE REINFORCED HYDRAULIC RUBBER HOSE
用途:

适用于使用石油基液压油，温度范围-40°C~+121°C(-40°F~+250°F)的软管。


结构:

软管由一层耐热油合成橡胶内胶层,多层交替方向的高强度钢丝缠绕层和一层耐天候的合成橡胶外胶层组成。


APPLICATIONS: This section covers hose for use with petroleum base hydraulic fluids within a temperature range of -40°C~+121°C(-40°F~+250°F).

CONSTRUCTION: This hose shall consist of an inner tube of oil resistant synthetic rubber, multiple spiral plies of heavy steel wire wrapped in alternating directions, and an oil and weather resistant synthetic rubber cover.

规格	规格	软管内径 I.D		增强层外径 W.D		软管外径 I.D		最小弯曲半径 Min B.R	最大工作压力 W.P		试验压力 P.P		最小爆破压力 Min.B.P		参考重量 W.T	
		最小	最大	最小	最大	最小	最大		MPa	psi	MPa	psi	MPa	psi		kg/m
SIZE	SIZE	min	max	min	max	min	max	mm	inch	MPa	psi	MPa	psi	MPa	psi	kg/m
10	3/8	9.3	10.1	20.3	23.3	150	5.91	42	6090	84	12180	168	24360	0.75		
12.5	1/2	12.3	13.5	24.0	26.8	200	7.87	42	6090	84	12180	168	24360	0.90		
19	3/4	18.6	19.8	32.9	36.1	265	10.40	42	6090	84	12180	168	24360	1.40		
25	1	25.0	26.4	38.9	42.9	330	13.00	42	6090	84	12180	168	24360	2.10		
31.5	1 1/4	31.4	33.0	48.4	51.5	445	17.52	42	6090	84	12180	168	24360	3.90		
38	1 1/2	37.7	39.3	56.3	59.6	530	20.87	42	6090	84	12180	168	24360	4.65		


LT590 ISO 6807

大口径钢丝缠绕橡胶软管

LARGE SIZE WIRE SPIRAL HYDRAULIC RUBBER HOSE

用途:

适用于输送液压流体如醇、液压油、燃油、润滑油、乳化油。
软管执行美国API,ISO6807标准。工作温度-40°C~+100°C
(-40°F~+212°F)。

结构:

胶管由内胶层、钢丝缠绕层和外胶层组成。

APPLICATIONS: This section covers hose for use with alcohols, hydraulic oil, fuel oil, lubrication oil, emulsified liquids, etc. The hose is made in conformity with API standard and ISO 6807 standard. Working temperature range is -40°C~+100°C(-40°F~+212°F).



CONSTRUCTION: This hose shall consist of an inner tube of oil resistant synthetic rubber, multiple spiral plies of steel wire wrapped in alternating directions, and an oil and weather resistant synthetic rubber cover.

英制规格 SIZE	 软管内径 I. D		 增强层外径 W. D	 软管外径 O. D	 最大工作压力 Max. W. P	 最小爆破压力 Min. B. P	 最小弯曲半径 Min. B. R	 参考重量 W. T
	最小	最大	最大	最大	MPa	MPa	mm	kg/m
inch	min	max	max	max	MPa	MPa	mm	kg/m
2-4	50	52	64.8	70.5	35	87.5	900	5.5
2 1/2-4	62.8	65.2	78	85.5	35	87.5	1100	6.7
3-4	74.6	77.4	90	97	35	87.5	1200	16.2
3 1/2-4	87.6	90.4	105	113	35	87.5	1300	18.4
4-4	100.5	103.5	122	130	35	87.5	1400	20.3
2-6	50	52	70	73.5	50	140	1000	6.5
2 1/2-6	62.8	65.2	85.6	92	50	140	1200	13.0
3-6	74.6	77.4	101.4	105.5	50	140	1300	16.0
3 1/2-6	87.6	90.4	116.3	121.5	50	140	1400	22.5
4-6	100.5	103.5	132.5	139	50	140	1600	29.8


LT591

超低温钢丝缠绕液压橡胶软管

SUPER LOW TEMPERATURE RESISTANT WIRE SPIRAL HYDRAULIC RUBBER HOSE

用途:

适用于超低温下使用的石油基液压油, 温度使用范围-55°C~+100°C

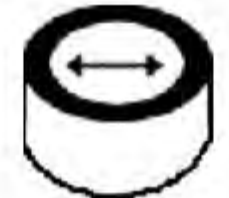

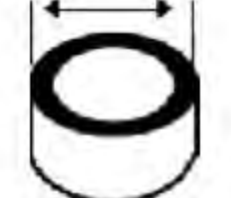



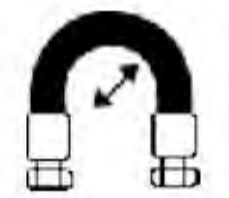
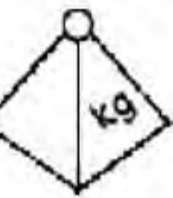
结构:

软管由耐超低温性特好的, 具有良好耐油性的特性的特种复合橡胶内胶, 钢丝编织增强层, 耐超低温性特好并且具有良好耐天候性的特种复合橡胶外胶组成。

APPLICATIONS: For delivery of petroleum base hydraulic oil within a temperature range of -55°C~+100°C

CONSTRUCTION: This hose consist of an inner tube made of low temperature resistant and oil resistant special rubber compound, a wire spiral reinforcement and a hose cover made of low temperature resistant and oil resistant special rubber compound.



规格	英制规格	 软管内径 I. D		 增强层外径 W. D		 软管外径 O. D		 最大 工作压力	 试验压力	 最小爆 破压力	 最小弯 曲半径	 参考 重量
		最小	最大	最小	最大	最小	最大	MAX. W.P	P. P	MIN.B.P	MIN.B.R	W. T
SIZE	SIZE	MIN	MAX	MIN	MAX	MIN	MAX	MPA	MPA	MPA	MM	Kg/m
-08	1/2-4S	12.8	13.5	19.4	21.0	24.0	25.0	42	84	168	190	0.9
-10	5/8-4S	15.9	16.6	23.0	24.6	27.0	28.4	42	84	168	200	1.10
-12	3/4-4S	18.8	19.6	27.6	29.2	30.7	32.3	42	84	168	224	1.44
-16	1-4S	25.0	25.8	34.4	36.0	37.7	39.3	42	84	168	272	2.00
-20	1 1/4-4S	31.6	32.6	40.9	42.9	43.9	47.1	35	70	140	420	2.85
-24	1 1/2-4S	37.7	38.8	47.8	49.8	51.9	55.1	35	70	140	500	3.35
-20	1 1/4-6S	31.6	32.6	46.0	48.0	49.2	50.8	42	84	168	420	3.90
-24	1 1/2-6S	37.7	38.8	52.0	54.0	55.7	57.3	42	84	168	500	4.65


LT599 ISO18752-CC

大力神钢丝缠绕系列软管

ARTERY[®] WIRE SPIRAL HYDRAULIC RUBBER HOSE



软管结构

内胶层: 丁腈合成橡胶, 适用于可生物降解的液压油

增强层: 4层或6层交错缠绕的高强度钢丝, 在业内领先的80万次脉冲循环条件下测试无泄漏

外胶层: 窄布纹黑色免剥外胶(耐天候三年以上)

温度范围: -40°C~+121°C(40°F~+250°F)

执行标准: 符合ISO18752-CC标准

Hose Construction

Inner Tube: NBR synthetic rubber, which is suitable for biodegradable hydraulic oil delivery

Reinforcement: 4-layer or 6-layer spiraled high tensile steel wire. Tested with 800,000 impulse cycles without leakage

Outer Layer: black narrow cloth texture hose cover with non-cover removal (with stand all weather exposure for over 3 years)

Temperature Range: -40°C+121°C(-40°F+250°F)

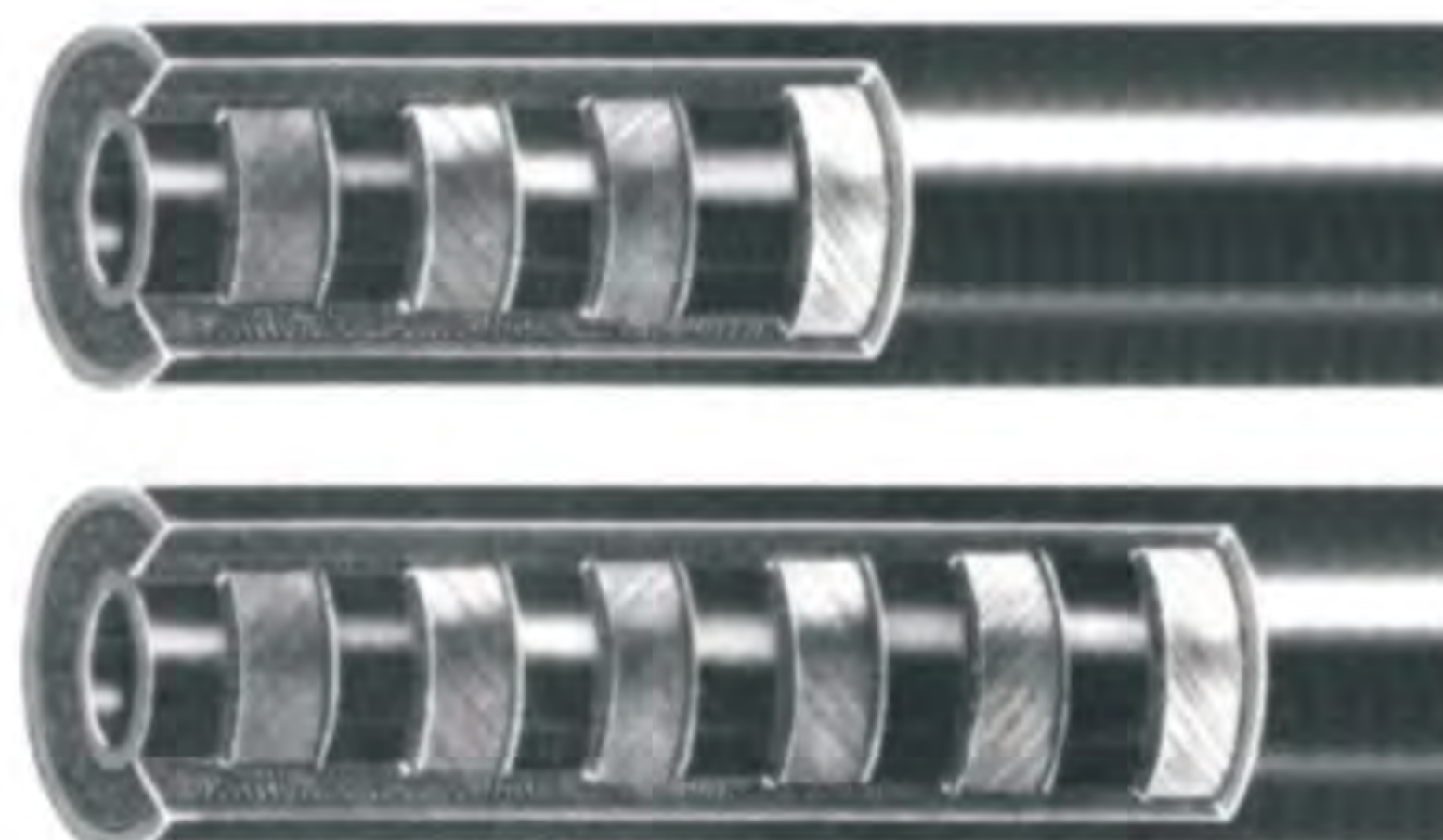
Produce Standard: comply with ISO18752-CC standard

产品型号 TYPE	英制规格	公制规格	软管内径 I. D		增强层外径 O. D		软管外径 O. D		最大 工作压力 MAX. W.P	试验压 力 P. P	最小爆 破压力 MIN.B.P	最小脉冲次数 MIN. IMPULSE 万次 8K	最小弯 曲半径 MIN.B.R	参考 重量 W. T
	SIZE	SIZE	最小	最大	最小	最大	最小	最大						
	IN	MM	MIN	MAX	MIN	MAX	MIN	MAX						
-4	1/4-4S	6.2	6.0	6.8	14.1	15.4	17.0	18.7	70	140	280	80	120	0.64
-6	3/8-4S	10	9.3	10.1	16.9	18.1	20.6	22.2	56	112	224	80	150	0.75
-8	1/2-4S	12.5	12.8	13.5	19.4	21.0	24.0	25.0	42	84	168	80	190	0.90
-10	5/8-4S	16	15.9	16.6	23.0	24.6	27.0	28.4	42	84	168	80	200	1.10
-12	3/4-4S	19	18.8	19.6	27.6	29.2	30.7	32.3	42	84	168	80	224	1.44
-16	1-4S	25	25.0	25.8	34.4	36.0	37.7	39.3	42	84	168	80	272	2.10
-20	1 1/4-4S	31.5	31.6	32.6	40.9	42.9	44.4	46.0	35	70	140	80	370	2.90
-24	1 1/2-4S	38	37.8	38.8	48.3	49.1	52	53.4	29	58	116	80	540	3.05
-32	2-4S	51	50.7	52	62.7	63.7	66.5	68.5	25	50	100	80	660	4.35
-20	1 1/4-6S	31.5	31.6	32.6	46.0	48.0	49.2	50.8	42	84	168	80	420	3.80
-24	1 1/2-6S	38	37.7	38.8	52.0	54.0	55.7	57.3	42	84	168	80	500	4.50
-32	2-6S	51.5	51.6	51.8	66.0	68.0	69.5	71.5	42	84	168	80	650	6.50


LT SA599 ISO18752-DC

超级大力神钢丝缠绕软管

SUPER ARTERY[®] STEEL WIRE SPIRAL SERIES



软管结构

内胶层: 氯丁/丁腈合成橡胶

增强层: 多层缠绕的高强超柔钢丝, 脉冲 ≥ 100 万次

外胶层: 黑色毛面耐老化免剥合成橡胶层

特性: 低弯曲; 高压; 长寿命 (使用利通专供一体式软管接头, 耐天候5年以上, 质保2年)

温度范围: $-40^{\circ}\text{C} \sim +121^{\circ}\text{C}$ ($-40^{\circ}\text{F} \sim +250^{\circ}\text{F}$)

执行标准: ISO 18752-DC

Hose Construction

Inner Layer: CR/NBR synthetic rubber

Reinforcement: multispiral high tensile super flexible steel wire, four plies ≥ 1 million impulse cycles

Outer Layer: skiving-free black narrow cloth texture hose cover made of anti-aging synthetic rubber

Features: low bending radius; high pressure ; long service life (weather resistant for more than 5 years and warrantied for 2 years with Letone specific hose connectors)

Temperature Range: $-40^{\circ}\text{C} \sim +121^{\circ}\text{C}$ ($-40^{\circ}\text{F} \sim +250^{\circ}\text{F}$)

Standard: ISO 18752-DC

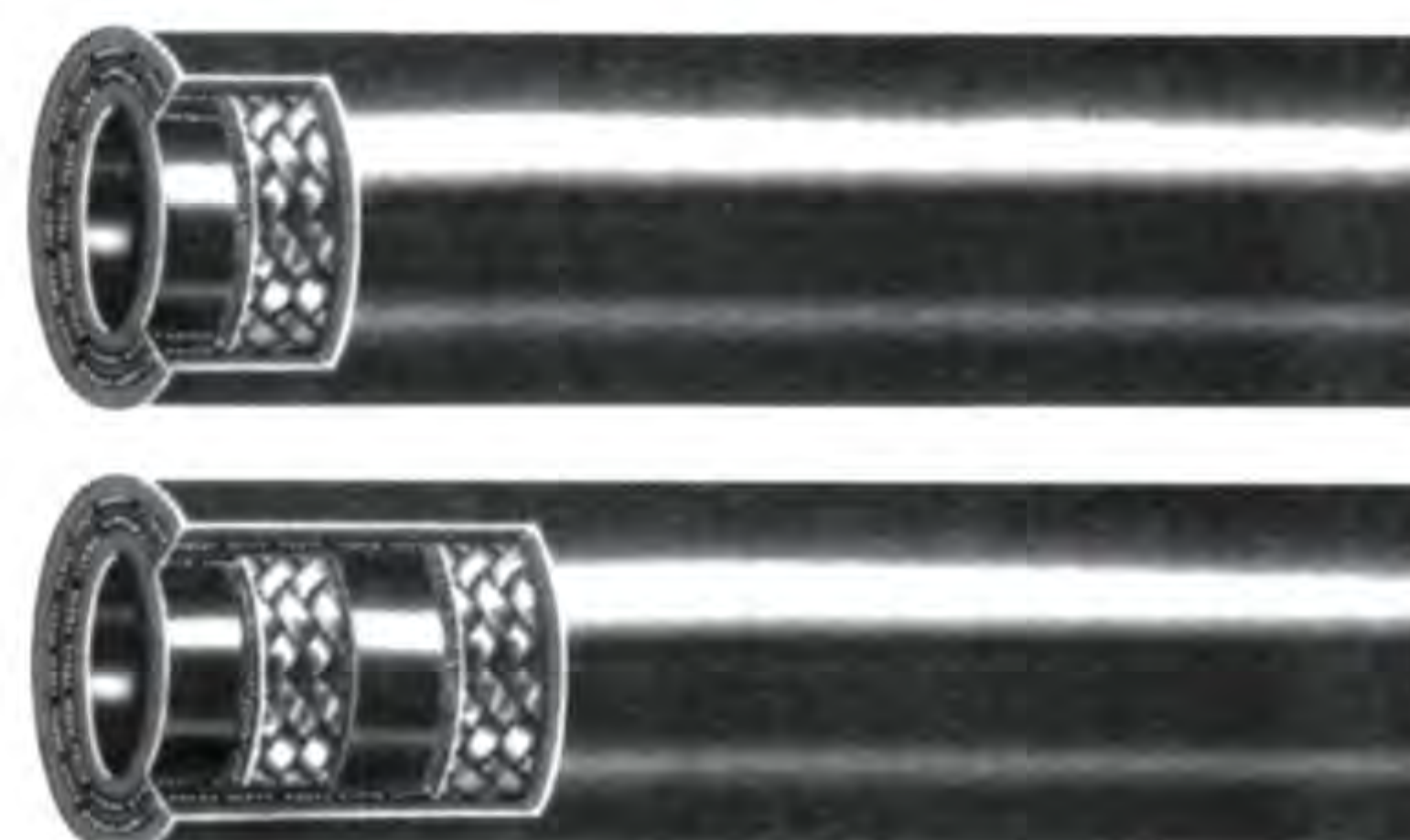
产品类型 TYPE	产品规格 SIZE (inch)	软管内径 I.D. (mm)	工作压力 W.P. (MPa)	爆破压力 B.P. (MPa)	工作温度 T. ($^{\circ}\text{C}$)	最小弯曲半径 MIN.B.R. (mm)
SA599-4DC	3/8"	9.5	56	224	$-40^{\circ}\text{C} \sim +121^{\circ}\text{C}$	100
SA599-4DC	1/2"	12.7	42	168	$-40^{\circ}\text{C} \sim +121^{\circ}\text{C}$	140
SA599-4DC	5/8"	15.9	42	168	$-40^{\circ}\text{C} \sim +121^{\circ}\text{C}$	180
SA599-4DC	3/4"	19	42	168	$-40^{\circ}\text{C} \sim +121^{\circ}\text{C}$	200
SA599-4DC	1"	25.4	42	168	$-40^{\circ}\text{C} \sim +121^{\circ}\text{C}$	250
SA599-4DC	1 1/4"	31.8	35	140	$-40^{\circ}\text{C} \sim +121^{\circ}\text{C}$	400
SA599-4DC	1 1/2"	38.1	29	116	$-40^{\circ}\text{C} \sim +121^{\circ}\text{C}$	480
SA599-4DC	2"	50.8	25	100	$-40^{\circ}\text{C} \sim +121^{\circ}\text{C}$	650
SA599-6DC	1 1/4"	31.8	42	168	$-40^{\circ}\text{C} \sim +121^{\circ}\text{C}$	400
SA599-6DC	1 1/2"	38.1	42	168	$-40^{\circ}\text{C} \sim +121^{\circ}\text{C}$	480
SA599-6DC	2"	50.8	42	168	$-40^{\circ}\text{C} \sim +121^{\circ}\text{C}$	650


LT681 SAE 100RAT/EN853 SN
钢丝编织橡胶软管
WIRE BRAID HYDRAULIC RUBBER HOSE
用途:

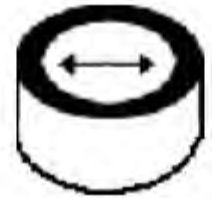





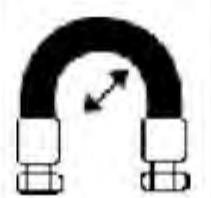
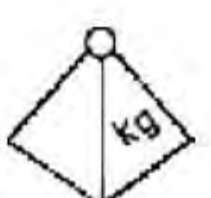
适用于输送液压流体和水性流体。

结构:

用耐油和耐天候良好的特种橡胶制造，采用镀铜钢丝增强，外观为黑色光面或黑色布纹。软管执行DIN EN853、SAE J517 100RAT标准，工作温度-40°C~+100°C(-40°F~+212°F)。


APPLICATIONS: For the delivery of hydraulic liquids or water based liquids.

CONSTRUCTION: Made of excellent oil resistant and anti-aging rubber. The reinforcement is copper-clad steel wire. The cover is available in black color with wrapped or smooth surface. The hose is made in conformity with DIN EN 853 SN standard and SAE J517 100RAT standard. Working temperature range is -40°C~+100°C(-40°F~+212°F).

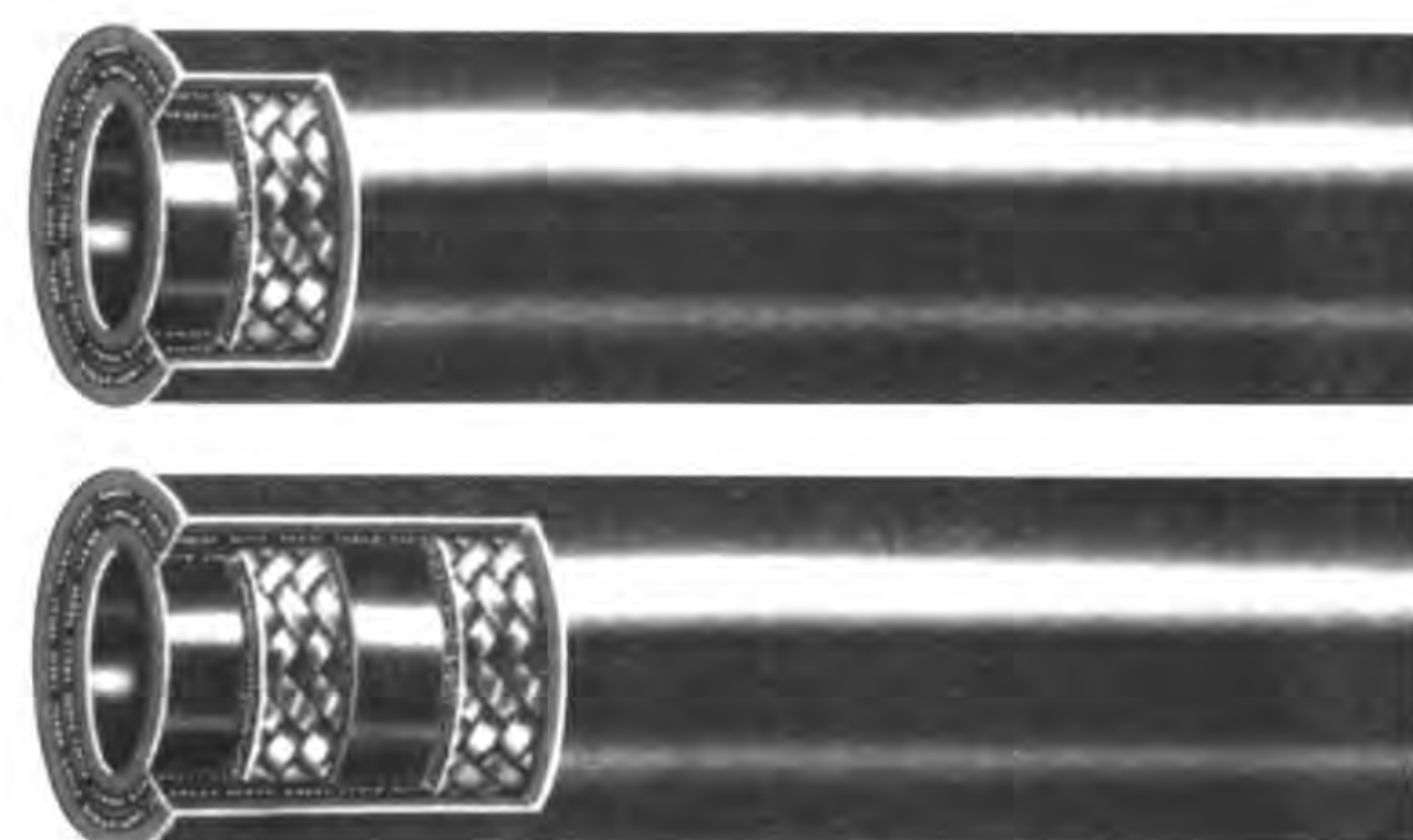
规格	 软管内径 I.D		 增强层外径 W.D		 软管外径 O.D			 最大工作压力 Max. W.P	 试验压力 P.P	 最小爆破压力 Min. B.P	 最小弯曲半径 Min. B.R	 参考重量 W.T
	最小	最大	最小	最大	最大	最小	最大					
SIZE	Min	Max	Min	Max	Max	Min	Max	MPa	MPa	MPa	mm	kg/m
in	Min	Max	Min	Max	Max	Min	Max	MPa	MPa	MPa	mm	kg/m
3/16-1	4.6	5.4	9.0	10.0	12.5	0.8	1.5	25.0	50.0	100.0	90	0.20
1/4-1	6.2	7.0	10.6	11.6	14.1	0.8	1.5	22.5	45.0	90.0	100	0.23
5/16-1	7.7	8.5	12.1	13.3	15.7	0.8	1.5	21.5	43.0	85.0	115	0.28
3/8-1	9.3	10.1	14.5	15.7	18.1	0.8	1.5	18.0	36.0	72.0	130	0.33
1/2-1	12.3	13.5	17.5	19.0	21.4	0.8	1.5	16.0	32.0	64.0	180	0.40
5/8-1	15.5	16.7	20.6	22.2	24.5	0.8	1.5	13.0	26.0	52.0	200	0.48
3/4-1	18.6	19.8	24.6	26.2	28.5	0.8	1.5	10.5	21.0	42.0	240	0.62
1-1	25.0	26.4	32.5	34.1	36.6	0.8	1.5	8.8	17.5	35.0	300	0.91
1 1/4-1	31.4	33.0	39.3	41.7	44.8	1.0	2.0	6.3	13.0	25.0	420	1.18
1 1/2-1	37.7	39.3	45.6	48.0	52.1	1.3	2.5	5.0	10.0	20.0	500	1.42
2-1	50.4	52.0	58.7	61.7	65.5	1.3	2.5	4.0	8.0	16.0	630	1.90
3/16-2	4.6	5.4	10.6	11.6	14.1	0.8	1.5	41.5	83.0	166.0	90	0.32
1/4-2	6.1	7.0	12.1	13.3	15.7	0.8	1.5	40.0	80.0	160.0	100	0.35
5/16-2	7.7	8.5	13.7	14.9	17.3	0.8	1.5	35.0	70.0	140.0	115	0.41
3/8-2	9.3	10.1	16.1	17.3	19.7	0.8	1.5	33.0	66.0	132.0	130	0.50
1/2-2	12.3	13.5	19.0	20.6	23.0	0.8	1.5	27.5	55.0	110.0	180	0.62
5/8-2	15.5	16.7	22.2	23.8	26.2	0.8	1.5	25.0	50.0	100.0	200	0.72
3/4-2	18.6	19.8	26.2	27.8	30.1	0.8	1.5	21.5	43.0	85.0	240	0.92
1-2	25.0	26.4	34.1	35.7	38.9	0.8	1.5	16.5	32.5	65.0	300	1.30
1 1/4-2	31.4	33.0	43.3	45.7	49.5	1.0	2.0	12.5	25.0	50.0	420	1.80
1 1/2-2	37.7	39.3	49.6	52.0	55.9	1.3	2.5	9.0	18.0	36.0	500	2.20
2-2	50.4	52.0	62.3	64.7	68.6	1.3	2.5	8.0	16.0	32.0	630	3.00


LT682 SAE 100RA / EN853 ST
钢丝编织橡胶软管
WIRE BRAID HYDRAULIC RUBBER HOSE
用途:

适用于输送液压流体和水性流体。

结构:

用耐油和耐天候良好的特种橡胶制造，采用镀铜钢丝增强，外观为黑色光面或黑色布纹。软管执行DIN EN853ST、SAE J517 100RA标准，工作温度-40°C~+100°C(-40°F~+212°F)。



APPLICATIONS: For the delivery of hydraulic liquids or water based liquids.

CONSTRUCTION: Made of excellent oil resistant and anti-aging rubber. The reinforcement is copper-clad steel wire. The cover is available in black color with wrapped or smooth surface. The hose is made in conformity with DIN EN 853 ST standard and SAE J517 100RA standard. Working temperature range is -40°C~+100°C(-40°F~+212°F).

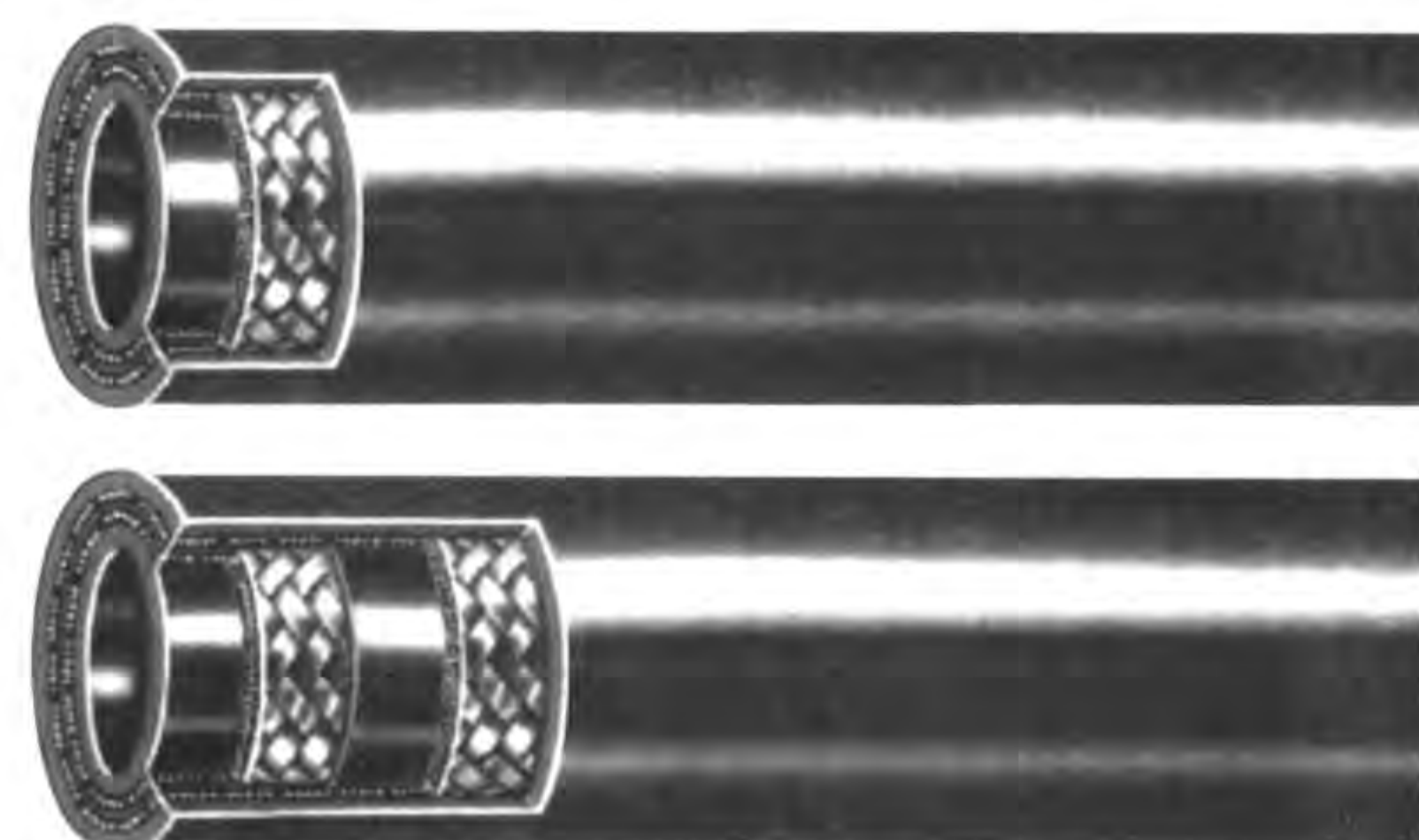
规格 SIZE	软管内径 I.D		增强层外径 W.D		软管外径 O.D			最大工作 压力 Max. W.P	试验 压力 P.P	最小爆破 压力 Min. B.P	最小 弯曲 半径 Min B.R	参考重量 W.T
	最小 Min	最大 Max	最小 Min	最大 Max	最小 Min	最小 Min	最大 Max					
in	Min	Max	Min	Max	Min	Min	Max	MPa	MPa	MPa	mm	kg/m
3/16-1	4.6	5.4	9.0	10.0	13.5	0.8	1.5	25.0	50.5	100.0	90	0.20
1/4-1	6.2	6.9	10.6	11.6	16.7	0.8	1.5	22.5	45.0	90.0	100	0.27
5/16-1	7.7	8.5	12.1	13.3	18.3	0.8	1.5	21.5	43.0	85.0	115	0.31
3/8-1	9.3	10.1	14.5	15.7	20.6	0.8	1.5	18.0	36.0	72.0	130	0.40
1/2-1	12.3	13.5	17.5	19.0	23.8	0.8	1.5	16.0	32.0	64.0	180	0.51
5/8-1	15.5	16.7	20.6	22.2	27.0	0.8	1.5	13.0	26.0	52.0	200	0.58
3/4-1	18.6	19.8	24.6	26.2	31.0	0.8	1.5	10.5	21.0	42.0	240	0.70
1-1	25.0	26.4	32.5	34.1	39.0	0.8	1.5	8.8	17.5	35.0	300	1.00
1 1/4-1	31.4	33.0	39.3	41.7	47.5	1.0	2.0	6.3	15.0	25.0	42	1.25
1 1/2-1	37.7	39.3	45.6	48.0	54.0	1.3	2.5	5.0	10.0	20.0	500	1.52
2-1	50.4	52.0	58.7	61.7	68.2	1.3	2.5	4.0	8.0	16.0	630	2.15
3/16-2	4.6	5.4	10.6	11.6	16.7	0.8	1.5	41.5	83.0	165.0	90	0.35
1/4-2	6.2	6.9	12.1	13.3	18.3	0.8	1.5	40.0	80.0	160.0	100	0.42
5/16-2	7.7	8.5	13.7	14.9	19.9	0.8	1.5	35.0	70.0	140.0	115	0.46
3/8-2	9.3	10.1	16.1	17.3	22.2	0.8	1.5	33.0	66.0	132.0	130	0.58
1/2-2	12.3	13.5	19.0	20.6	25.4	0.8	1.5	27.5	55.0	110.0	180	0.73
5/8-2	15.5	16.7	22.2	23.8	28.6	0.8	1.5	25.0	50.0	100.0	200	0.85
3/4-2	18.6	19.8	26.2	27.8	32.6	0.8	1.5	21.5	43.0	85.0	240	1.00
1-2	25.0	26.4	34.1	35.7	40.8	0.8	1.5	16.5	32.5	65.0	300	1.32
1 1/4-2	31.4	33.0	43.3	45.6	52.4	1.0	2.0	12.5	25.0	50.0	420	2.10
1 1/2-2	37.7	39.3	49.6	52.0	58.8	1.3	2.5	9.0	18.0	36.0	500	2.36
2-2	50.4	52.0	62.3	64.7	71.4	1.3	2.5	8.0	16.0	32.0	630	3.10


LT683 EN857 SC
钢丝编织橡胶软管
WIRE BRAID HYDRAULIC RUBBER HOSE
用途:

适用于输送液压流体和水性流体。

结构:

用耐油和耐天候良好的特种橡胶制造，采用镀铜钢丝增强，外观为黑色光面或黑色布纹。软管执行DIN EN857标准，工作温度-40°C~+100°C(-40°F~+212°F)。


APPLICATIONS: For the delivery of hydraulic liquids or water based liquids.

FEATURE: The reinforcement is copper-clad steel wire. The cover is available in black color with wrapped or smooth surface. The hose is made in conformity with DIN EN857 SC standard. Working temperature range is -40°C~+100°C(-40°F~+212°F).

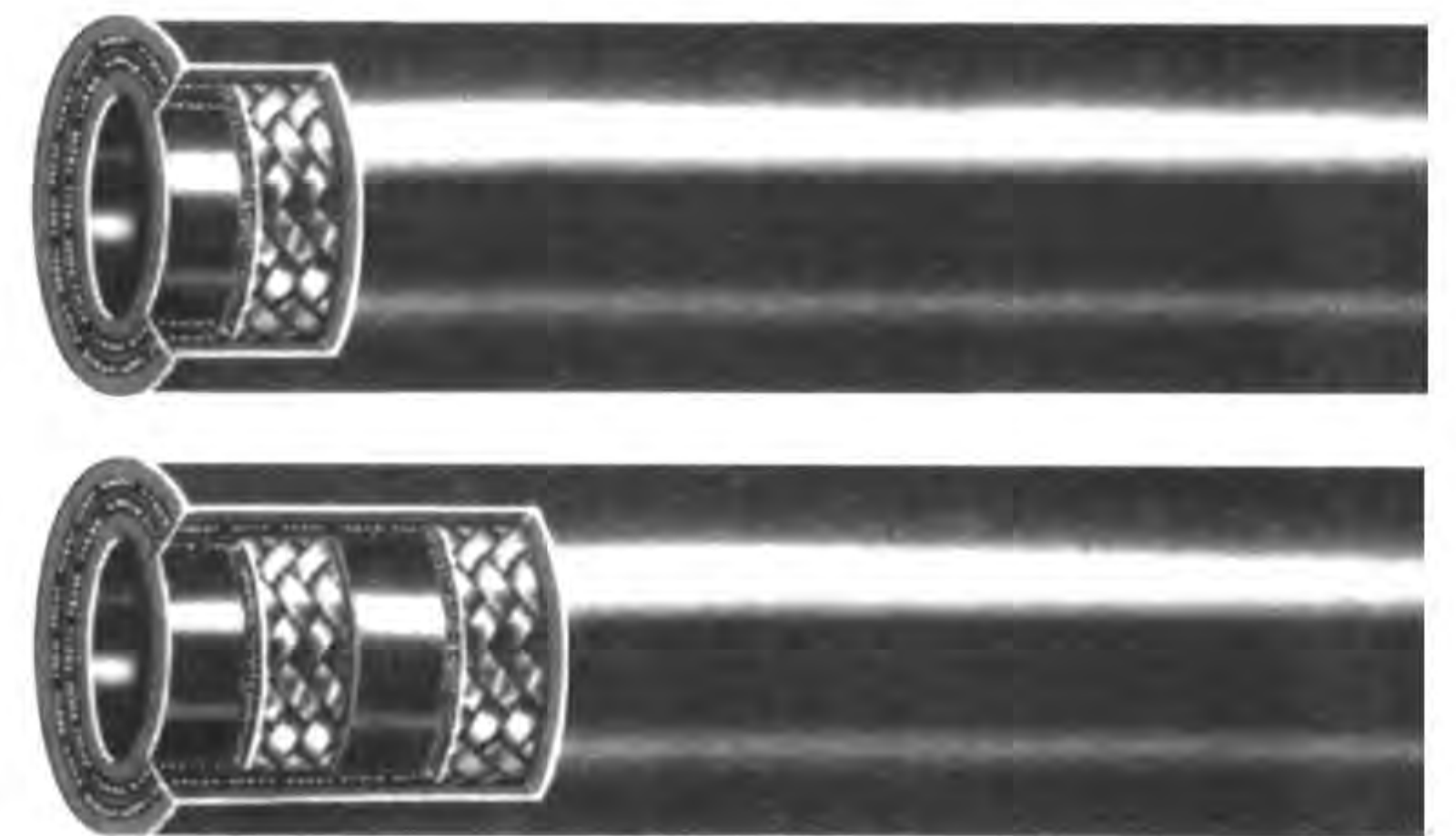
规格	 软管内径 I.D		 增强层外径 W.D		 软管外径 O.D	 最大 工作压力 Max. W.P		 试验压力 P.P		 最小爆 破压力 Min. B.P		 最小弯 曲半径 Min. B.R		 参考 重量 W.T
	SIZE	最小	最大	最小	最大	最大	max	psi	MPa	psi	MPa	psi	inch	mm
inch	min	max	min	max	max	max	psi	MPa	psi	MPa	psi	inch	mm	kg/m
1/4-1	6.1	6.9	9.6	10.8	13.5	22.5	3260	45	6265	90	13050	2.95	75	0.12
5/16-1	7.7	8.5	10.9	12.1	14.5	21.5	3120	43	6235	86	12470	3.35	85	0.14
3/8-1	9.3	10.1	12.7	14.5	16.9	18	2610	36	5220	72	10440	3.54	90	0.25
1/2-1	12.3	13.5	15.9	18.1	20.4	16	2320	32	4640	64	9280	5.12	130	0.22
5/8-1	15.5	16.7	19.8	21.0	23.0	13	1885	26	3770	52	7540	5.91	150	0.27
3/4-1	18.6	19.8	23.2	24.4	26.7	10.5	1520	21	3045	42	6090	7.09	180	0.35
1-1	25.0	26.4	30.7	31.9	34.9	8.8	1280	17.6	2550	35.5	5100	9.06	230	0.52
1/4-2	6.1	6.9	10.6	11.7	14.2	40	5800	80	11600	160	23200	2.96	75	0.28
5/16-2	7.7	8.5	12.1	13.3	16.0	35	5075	70	10150	140	20300	3.35	85	0.31
3/8-2	9.3	10.1	14.4	15.6	18.3	33	4785	66	9570	132	19140	3.54	90	0.46
1/2-2	12.3	13.5	17.5	19.1	21.5	27.5	3990	55	7975	110	15950	5.12	130	0.49
5/8-2	15.5	16.7	20.5	22.3	24.7	25	3625	50	7150	100	14500	6.69	170	0.68
3/4-2	18.6	19.8	24.6	26.4	28.6	21.5	3120	43	6235	86	12470	7.87	200	0.78
1-2	25.0	26.4	32.6	34.3	36.6	16.5	2390	33	4785	66	9570	9.84	250	0.96


LT684 SAE 100RAT / EN853 SN
耐热油钢丝编织橡胶软管
HOT OIL RESISTANT WIRE BRAID HYDRAULIC RUBBER HOSE
用途:

适用于输送液压流体和水性流体。

结构:

用耐油和耐天候良好的特种橡胶制造，采用镀铜钢丝编织增强，外观为黑色布纹。软管执行SAE J517 100R1AT/R2AT标准。DIN EN853 1SN/2SN标准，工作温度-40°C~+135°C(-40°F~+275°F)。



APPLICATIONS: For the delivery of hydraulic liquids or water based liquids.

CONSTRUCTION: Made of excellent oil resistant and anti-aging rubber. The reinforcement is copper-clad steel wire. The cover is available in black color with wrapped surface. The hose is made in conformity with DIN EN 853 SN standard and SAE J517 100RAT standard. Working temperature range is -40°C~+135°C(-40°F~+275°F).

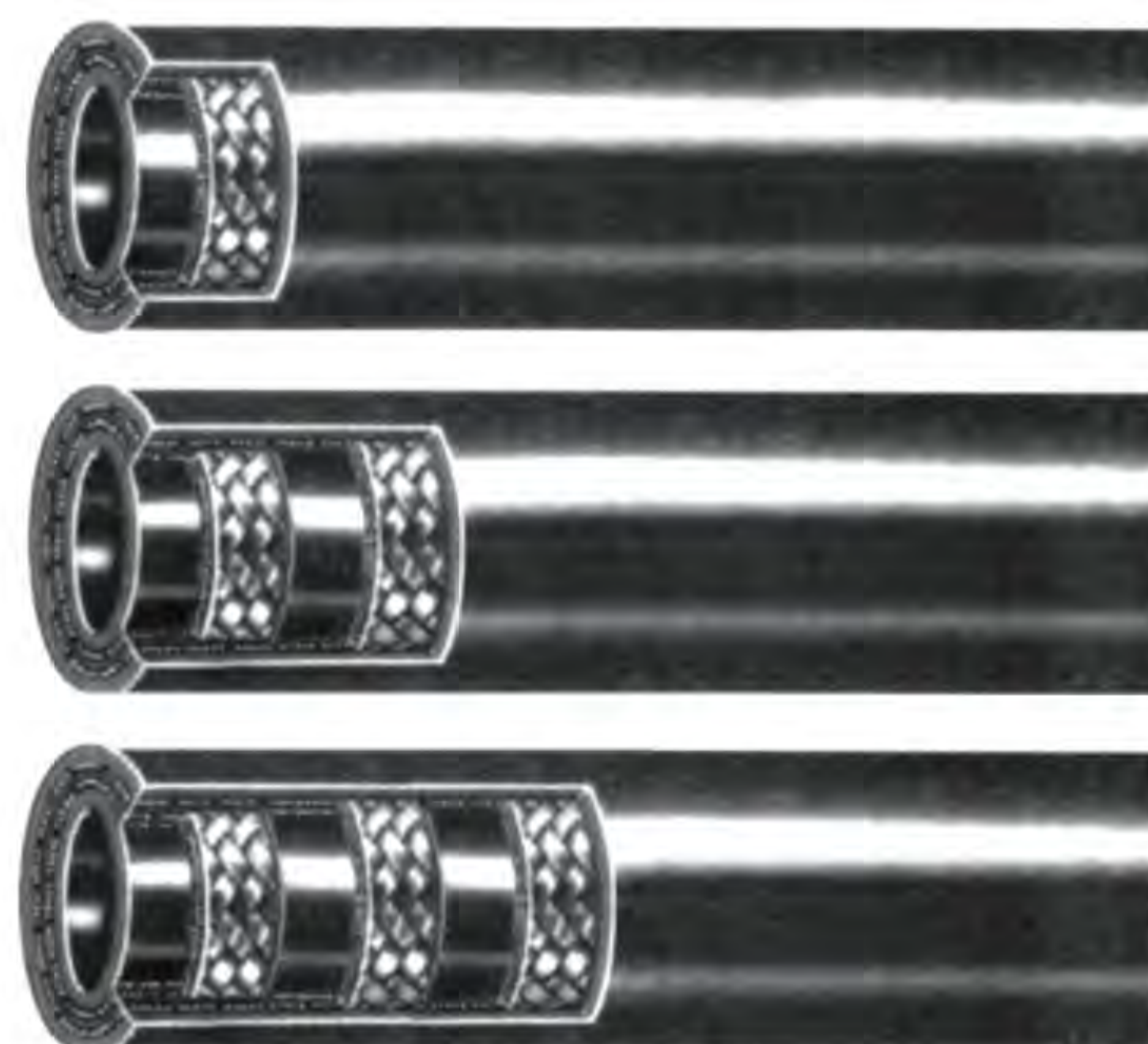
规格 SIZE	软管内径 I.D		增强层外径 W.D		外胶层厚度		最大工 作压力 Max. W.P	试验 压力 P.P	最小爆破 压力 Min. B.P	最小 弯曲 半径 Min B.R	参考重量 W.T
	最小 Min	最大 Max	最小 Min	最大 Max	最小 Min	最大 Max					
in	Min	Max	Min	Max	Min	Max	MPa	MPa	MPa	mm	kg/m
3/16-1	4.6	5.4	9.0	10.0	0.8	1.5	21.0	42.0	84.0	90	0.20
1/4-1	6.2	6.9	10.6	11.6	0.8	1.5	19.3	38.5	77.0	100	0.23
5/16-1	7.7	8.5	12.1	13.3	0.8	1.5	17.5	35.0	70.0	115	0.28
3/8-1	9.3	10.1	14.5	15.7	0.8	1.5	15.8	31.5	63.0	130	0.33
1/2-1	12.3	13.5	17.5	19.1	0.8	1.5	14.0	28.0	56.0	180	0.40
5/8-1	15.5	16.7	20.6	22.2	0.8	1.5	10.5	21.0	42.0	200	0.48
3/4-1	18.6	19.8	24.6	26.2	0.8	1.5	8.7	17.5	35.0	240	0.62
1-1	25.0	26.4	32.5	34.1	0.8	1.5	7.0	14.0	28.0	300	0.91
1 1/4-1	31.4	33.0	39.3	41.7	1.0	2.0	4.3	8.7	17.5	420	1.18
1 1/2-1	37.7	39.3	45.6	48.0	1.3	2.5	3.5	7.0	14.0	500	1.42
2-1	50.4	52.0	58.7	61.7	1.3	2.5	2.6	5.2	10.5	630	1.90
3/16-2	4.6	5.4	10.6	11.6	0.8	1.5	35.0	70.0	140.0	90	0.32
1/4-2	6.2	6.9	12.1	13.3	0.8	1.5	35.0	70.0	140.0	100	0.35
5/16-2	7.7	8.5	13.7	14.9	0.8	1.5	29.7	59.5	119.0	115	0.41
3/8-2	9.3	10.1	16.1	17.3	0.8	1.5	28.0	56.0	112.0	130	0.50
1/2-2	12.3	13.5	19.0	20.6	0.8	1.5	24.5	49.0	98.0	180	0.62
5/8-2	15.5	16.7	22.2	23.8	0.8	1.5	19.2	38.5	77.0	200	0.72
3/4-2	18.6	19.8	26.2	27.8	0.8	1.5	15.7	31.5	63.0	240	0.92
1-2	25.0	26.4	34.1	35.7	0.8	1.5	14.0	28.0	56.0	300	1.3
1 1/4-2	31.4	33.0	43.3	45.6	1.0	2.0	11.3	22.7	45.0	420	1.80
1 1/2-2	37.7	39.3	49.6	52.0	1.3	2.5	8.7	17.5	35.0	500	2.20
2-2	50.4	52.0	62.3	64.7	1.3	2.5	7.8	15.7	31.5	630	3.00


LT685 MT/T98-2006
MT98 矿用钢丝编织橡胶软管
WIRE BRAID HYDRAULIC RUBBER HOSE FOR MINING
用途:

适用于煤矿液压支架，综合采煤机组等液压系统输送矿物油，水基液压油或水，可在-40°C~+100°C (-40°F~+212°F) 使用。

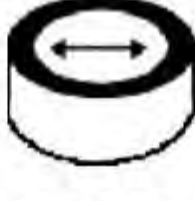






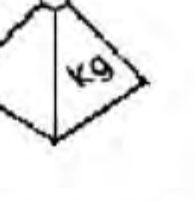
结构:

用耐油和耐天候良好的特种橡胶制造，采用镀铜钢丝增强，外观为黑色光面或黑色布纹。软管执行MT/T98-2006标准。



APPLICATIONS: For the delivery of water, mineral oil or water based hydraulic oil in the hydraulic system of mining machinery and construction machinery, working temperature range is -40°C~+100°C (-40°F~+212°F)

CONSTRUCTION: Made of excellent oil resistant and anti-aging rubber. The reinforcement is copper-clad steel wire. The cover is available in black color with wrapped or smooth surface. The hose is made in conformity with MT/T98-2006.

规格 SIZE	 软管内径 I.D.		 增强层外径 W.D.		 软管外径 O.D.		 最大工作压力 Max. W.P.	 试验压力 P.P.	 最小爆破压力 Min. B.P.	 最小弯曲半径 Min. B.R.	 参考重量 W.T.
	最小 min	最大 max	最小 min	最大 max	最小 min	最大 max	MPa	MPa	MPa	mm	kg/m
1/4-1	5.8	6.5	11.1	12.1	14.2	15.4	32	40	80	100	0.26
5/16-1	7.8	8.5	13.1	14.1	16.2	17.4	28	35	70	115	0.32
3/8-1	9.8	10.5	15.1	16.1	18.1	19.3	25.6	32	64	130	0.37
1/2-1	12.8	13.5	18.9	19.9	21.9	23.1	22.4	33.6	56	180	0.49
5/8-1	15.8	16.6	22.0	23.0	24.7	26.3	16.8	21	42	205	0.57
3/4-1	18.8	19.8	25.0	26.0	27.6	29.2	14.4	18	36	240	0.68
7/8-1	21.8	22.8	28.0	29.0	30.6	32.2	12.8	16	32	280	0.73
1-1	24.8	25.8	31.5	32.5	34.2	35.8	11.2	14	28	300	0.89
1 1/4-1	31.6	33.6	38.5	39.5	41.8	44.2	9.0	11.5	22.5	420	1.22
1 1/2-1	37.7	39.8	45.5	46.0	48.8	51.2	7.0	9	17.5	500	1.35
1 3/4-1	44.6	45.6	52.5	53.0	54.8	57.2	5.0	8	12.5	550	1.68
2-1	50.7	52.0	57.7	58.8	62.3	64.7	3.0	6	7.5	630	1.74
1/4-2	5.8	6.5	12.9	13.9	16.0	17.2	56.0	70	140	100	0.43
5/16-2	7.8	8.5	14.9	15.9	18.0	19.2	48.0	60	120	115	0.48
3/8-2	9.8	10.5	16.9	17.9	19.9	21.1	40.0	50	100	130	0.58
1/2-2	12.8	13.5	20.7	21.7	23.7	24.9	36.0	45	90	180	0.69
5/8-2	15.8	16.6	23.7	24.7	26.5	28.1	32.0	40	80	205	0.82
3/4-2	18.8	19.8	26.7	27.7	29.4	31	25.0	31.5	62	240	0.98
7/8-2	21.8	22.8	30.7	31.0	32.6	34	22.0	27.5	55	280	1.09
1-2	24.8	25.8	33.5	34.5	36	37.6	21.0	26.5	52	300	1.25
1 1/4-2	31.6	33.6	40.2	41.2	43.8	46.2	17.0	21.5	42.5	420	1.69
1 1/2-2	37.7	39.8	46.5	47.5	49.8	52.2	12.0	15	30	500	1.90
1 3/4-2	44.6	45.6	53.5	54.5	56.8	59.2	9.0	13.5	22.5	55	2.20
2-2	50.7	52.0	59.5	60.5	62.8	65.2	8.0	12	20	630	2.57
5/16-3	7.8	8.5	16.5	17.5	19.6	20.8	50.0	75	125	115	0.67
3/8-3	9.8	10.5	18.5	19.5	21.5	22.7	45.0	62.5	112.5	130	0.74
1/2-3	12.8	13.5	22.5	23.5	25.5	26.7	40.0	56	100	180	1.00
5/8-3	15.8	16.6	25.5	26.5	28.3	29.9	35.0	43.5	87.5	205	1.14
3/4-3	18.8	19.8	28.5	29.5	31.2	32.8	28.0	35	70.5	240	1.30
7/8-3	21.8	22.8	31.5	32.5	34.2	35.8	25.0	31.5	62.5	280	1.40
1-3	24.8	25.8	34.6	35.6	37.2	38.8	24.0	30	60.5	300	1.60
1 1/4-3	31.6	33.6	42.0	43.0	45.8	48.2	19.0	24	47.5	420	2.05
1 1/2-3	37.7	39.8	48.0	49	51.8	54.2	15.0	19	37.5	500	2.58

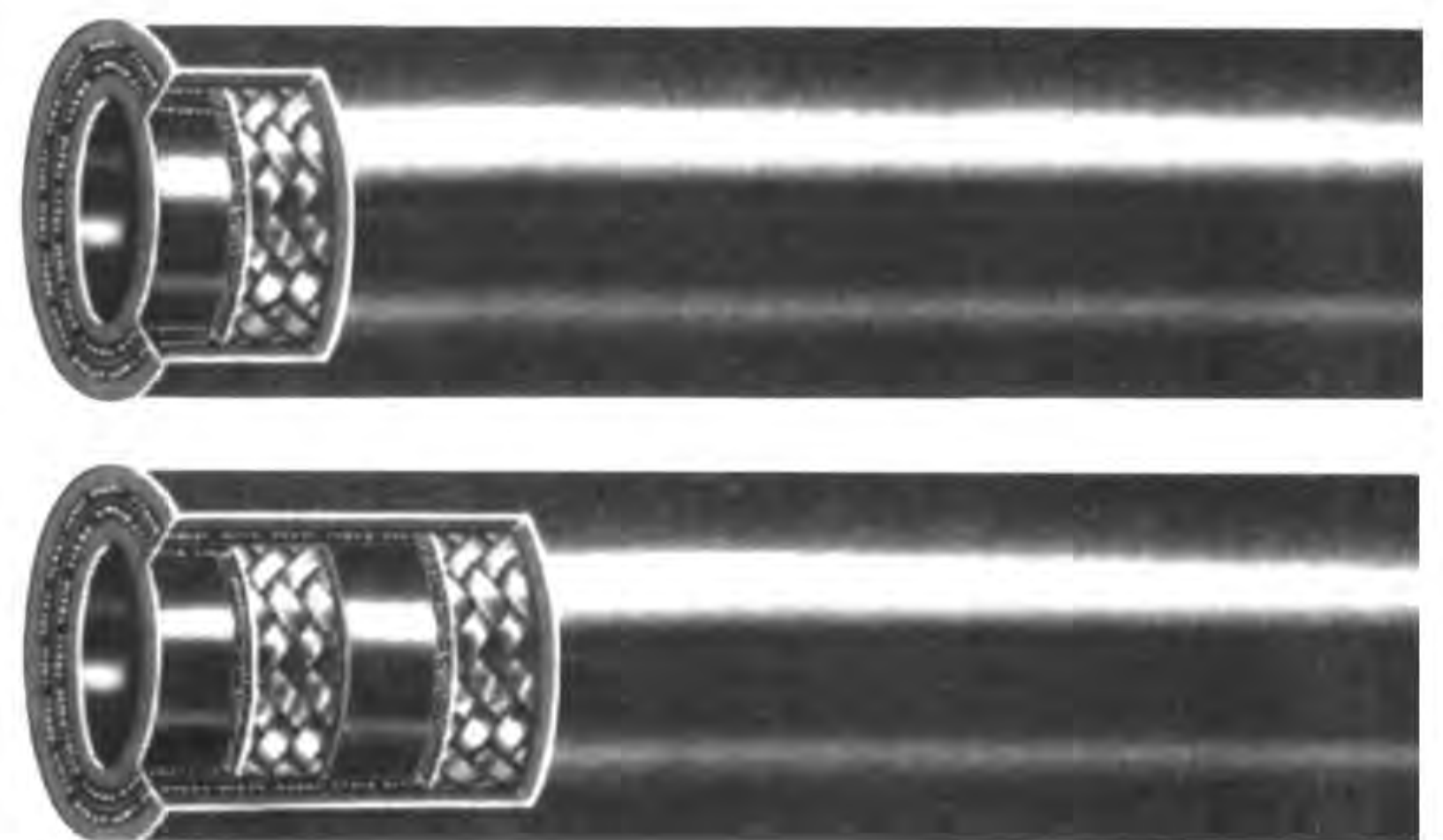

LT686 MT/T98-2006

MT98 矿用大口径钢丝编织橡胶
LARGE SIZE WIRE BRAID HYDRAULIC RUBBER HOSE
用途:

适用于使用石油基液压油, 温度范围-40°C~+100°C
(-40°F~+212°F) 的软管。

结构:

软管由一层耐油合成橡胶内胶层, (一层或两层) 钢丝编织层和一层耐油、耐天候合成橡胶外胶层组成。



APPLICATIONS: This section covers hose for use petroleum base hydraulic fluids within a temperature range of -40°C~+100°C (-40°F~+212°F) .

CONSTRUCTION: This hose shall consist of an inner tube of oil resistant synthetic rubber, one or two steel wire braids reinforcement and an oil and weather resistant synthetic rubber cover.

规格	规格	 软管内径 I.D		 增强层外径 W.D		 软管外径 O.D		 最大工作压力 Max.W.P	 试验压力 P.P	 最小爆破压力 Min.B.P	 最小弯曲半径 Min.B.R	 参考重量 W.T
		最小	最大	最小	最大	最小	最大					
SIZE	SIZE	Min	Max	Min	Max	Min	Max	MPa	MPa	MPa	mm	kg/m
64	2 1/2-1	63.5	65.3	71	73	76	80	3.5	5.25	10.5	800	2.42
76	3-1	75.5	77.5	83	85	88	92	3	4.5	9	920	2.86
85	3 3/8-1	84.5	86.7	92	94	97	101	2.5	3.75	7.5	1000	3.10
89	3 1/2-1	88.4	90	96.5	98.5	102	106	2.5	3.75	7.5	1100	3.34
102	4-1	101	104.5	110	115	116	121	2	3	6	1300	3.78
64	2 1/2-2	63.5	65.3	73	75	78	80	7	10.5	21	800	3.30
76	3-2	75.5	77.5	85	87	90	94	6	9	18	920	3.90
85	3 3/8-2	84.5	86.7	94	96	99	103	5	7.5	15	1000	4.30
89	3 1/2-2	88.4	90	98.5	100.5	104	108	5	7.5	15	1100	4.54
102	4-2	101	104.5	112	116	118	123	4	6	12	1300	5.50


LT687 SAE 100R16

紧凑型高压1和2层钢丝缠绕增强橡胶软管

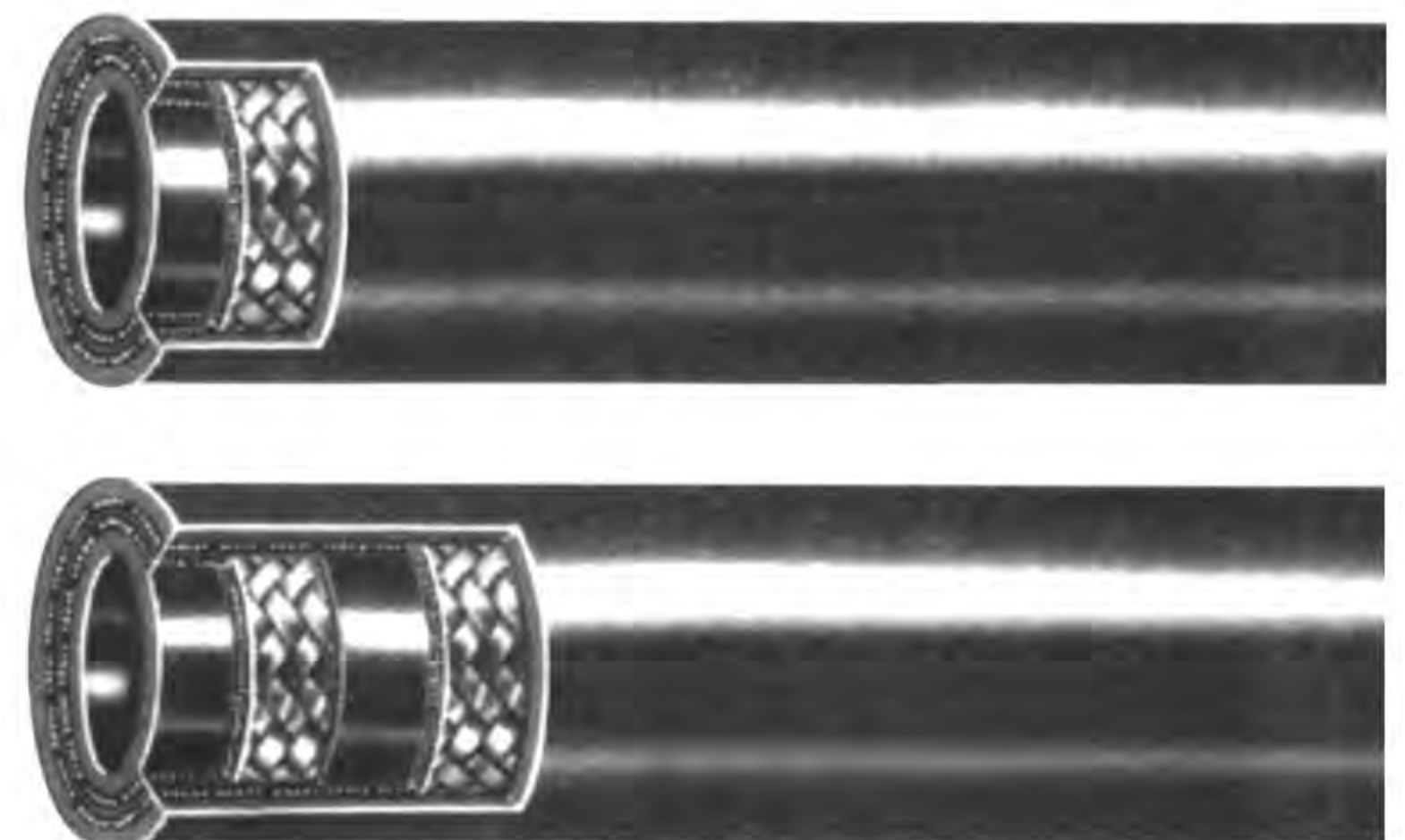
COMPACT HIGH PRESSURE, ONE/TWO STEEL WIRE BRAIDS REINFORCED HYDRAULIC RUBBER HOSE

用途:

适用于使用石油基液压油，温度范围-40°C~+121°C (-40°F~+250°F)软管。

结构:

软管由一层耐油合成橡胶内胶层，按软管设计（1或2层编织）的钢丝增强层和一层耐天候合成橡胶外胶层组成。



APPLICATIONS: This section covers hose for use with petroleum base hydraulic fluids within a temperature range of -40°C~+121°C (-40°F~+250°F).

CONSTRUCTION: This hose shall consist of an inner tube of oil resistant synthetic rubber, one or two steel wire braids reinforcement, and an oil and weather resistant synthetic rubber cover.

规格	规格	软管内径 I.D		增强层外径 W.D		软管外径 I.D		外胶层厚度		最大工作压力 W.P	试验压力 P.P		最小爆破压力 Min.B.P		参考重量 W.T	
		最小	最大	最小	最大	最小	最大	最小	最大		MPa	psi	MPa	psi		MPa
SIZE	SIZE	min	max	min	max	min	max	min	max	MPa	psi	MPa	psi	MPa	psi	kg/m
-4	1/4	6.2	7.0	12.3	14.5	0.8	1.5	35	5075	70	10150	140	20300	0.30		
-5	5/16	7.7	8.5	13.3	15.7	0.8	1.5	29.7	4305	59.5	8625	119	17255	0.34		
-6	3/8	9.3	10.1	15.9	18.8	0.8	1.5	28	4060	56	8120	112	16240	0.42		
-8	1/2	12.3	13.5	19.0	22.0	0.8	1.5	24.5	3550	49	7105	98	14210	0.54		
-10	5/8	15.5	16.7	22.5	25.4	0.8	1.5	21	3040	42	6680	84	12180	0.68		
-12	3/4	18.6	19.8	26.3	29.0	0.8	1.5	21	3040	42	6080	84	12180	0.80		
-16	1	25.0	26.4	34.0	36.6	0.8	1.5	14	2030	28	4060	56	8120	1.15		
-20	1 1/4	31.4	33.0	41.9	44.3	1.0	1.5	11.3	1635	22.7	3290	45.5	6595	1.83		


LT688 SAE 100R17

紧凑型21MPa最大工作压力1和2层钢丝增强橡胶软管

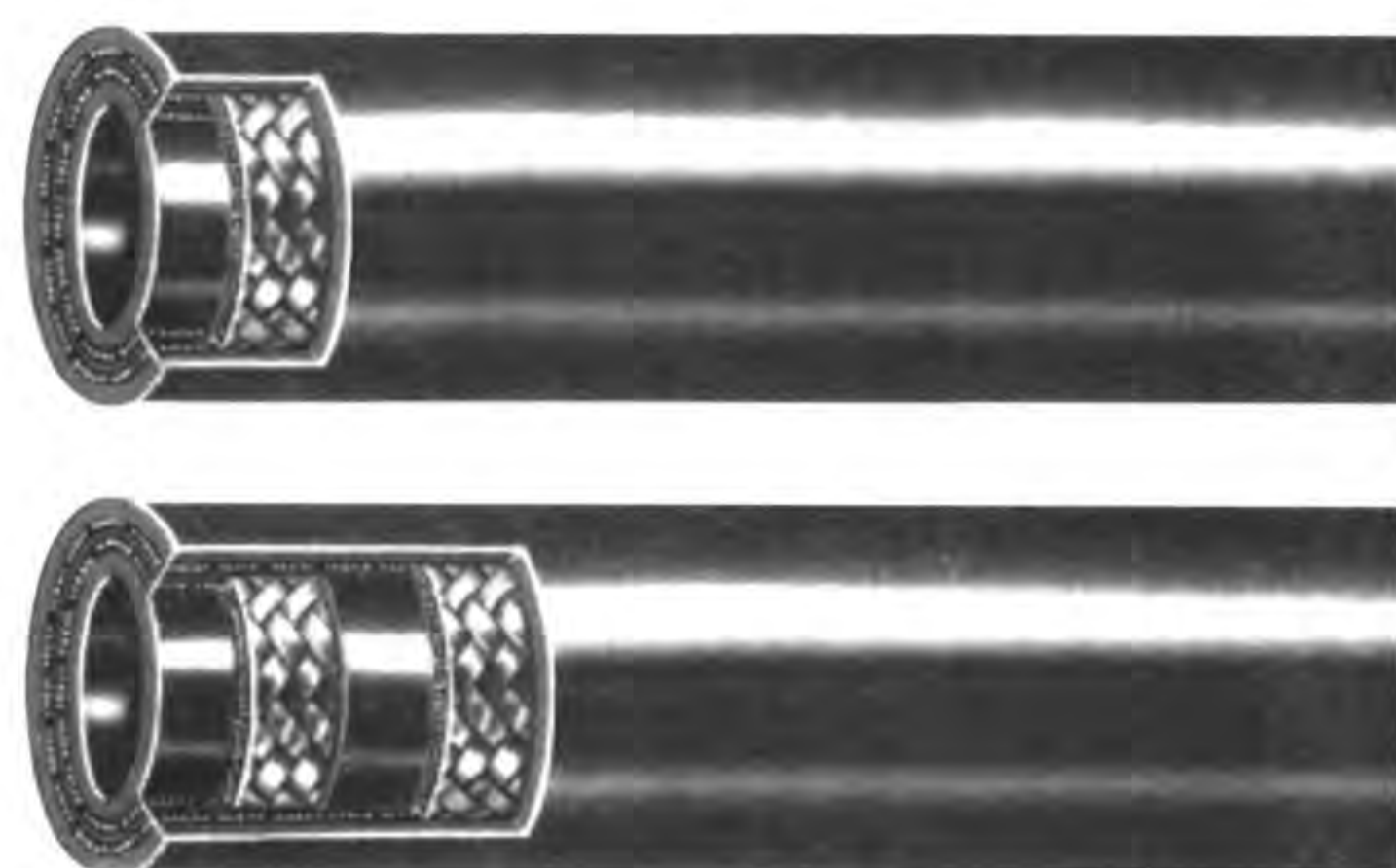
COMPACT ONE/TWO WIRE BRAIDS REINFORCED HYDRAULIC RUBBER HOSE(MAX. WORKING PRESSURE: 21MPA)

用途:

适用于使用石油基液压油, 温度范围-40°C~+100°C (-40°F~+212°F)的软管。

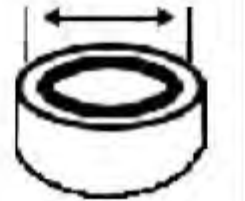
结构:

软管由一层耐油合成橡胶内胶层, 按软管设计(1或2层编织层)的钢丝增强和一层耐油和耐天候的合成橡胶外胶层组成。



APPLICATIONS: This section covers hose for use with petroleum base hydraulic fluids within a temperature range of -40°C~+100°C (-40°F~+212°F).

CONSTRUCTION: This hose shall consist of an inner tube of oil resistant synthetic rubber, a steel wire braid reinforcement according to hose design(one or two braids), and an oil and weather resistant synthetic rubber cover.

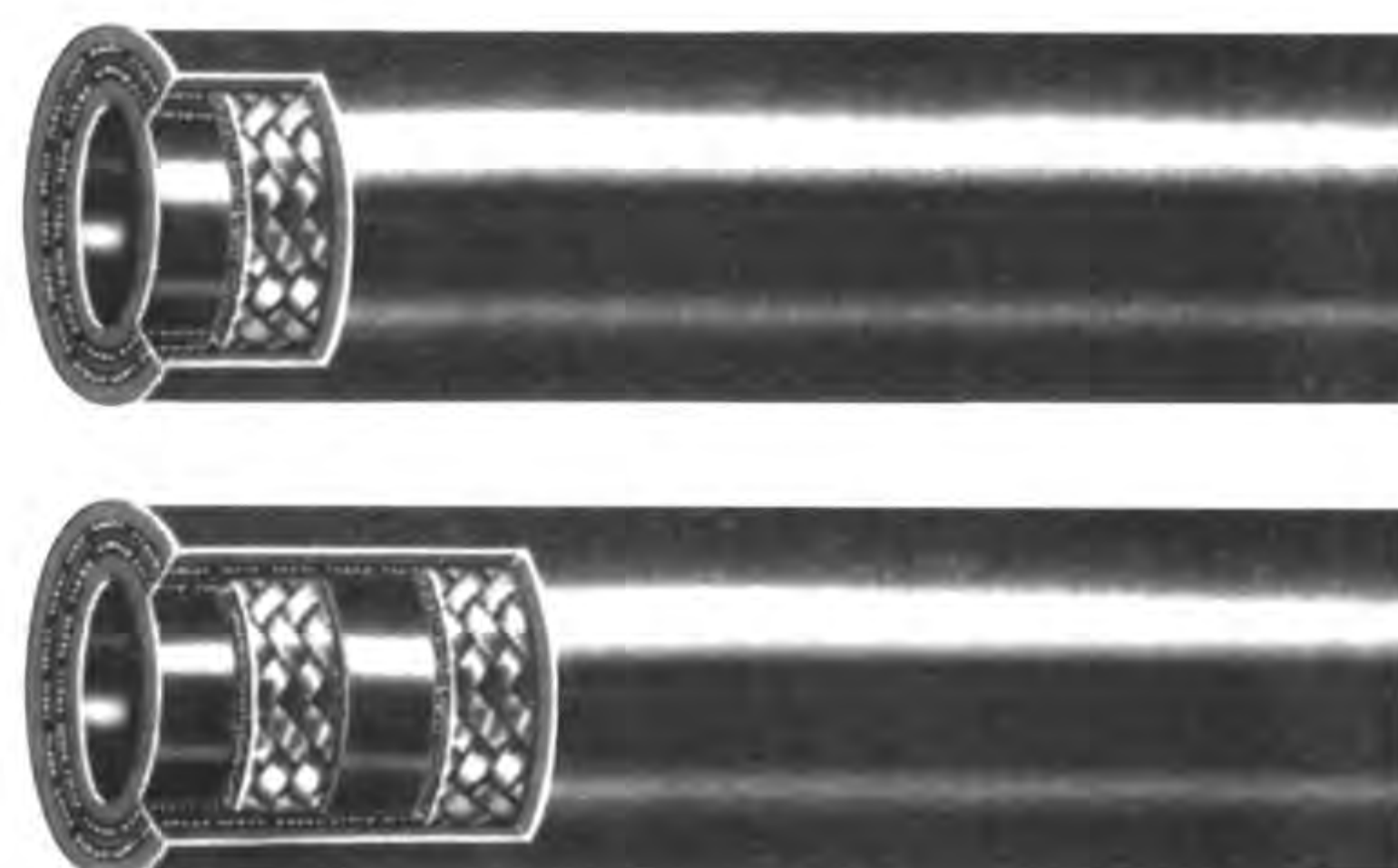
规格	规格	 软管内径 I.D.		 增强层外径 W.D.	 软管外径 O.D.	 外胶层厚度		 最大工作压力 Max. W.P.	 试验压力 P.P.	 最小爆破压力 Min. B.P.	 最小弯曲半径 Min. B.R.	 参考重量 W.T.
		SIZE	SIZE	最小	最大	最大	最大	最小	最大	MPa	MPa	MPa
DASH	in	Min	Max	Max	Max	Min	Max	MPa	MPa	MPa	mm	
-4	1/4	6.2	7.0	11.0	13.2	0.8	1.5	21	42	84	50	0.20
-5	5/16	7.7	8.5	13.0	15.0	0.8	1.5	21	42	84	55	0.24
-6	3/8	9.3	10.1	15.0	17.0	0.8	1.5	21	42	84	65	0.29
-8	1/2	12.3	13.5	18.8	21.1	0.8	1.5	21	42	84	90	0.35
-10	5/8	15.5	16.7	23.6	25.9	0.8	1.5	21	42	84	100	0.74
-12	3/4	18.6	19.8	27.7	30.3	0.8	1.5	21	42	84	120	0.89
-16	1	25.5	26.4	35.6	38.6	0.8	2.2	21	42	84	150	1.12


LT689 SAE 100R19
紧凑型28MPa最大工作压力1和2层钢丝增强橡胶软管
COMPACT ONE/TWO WIRE BRAIDS REINFORCED HYDRAULIC RUBBER HOSE(MAX. WORKING PRESSURE: 28MPA)
用途:

适用于使用石油基液压油，温度范围-40°C~+100°C (-40°F~+212°F)的软管。

结构:

软管由一层耐油合成橡胶内胶层，按软管设计（1或2层编织层）的钢丝增强和一层耐油和耐天候的合成橡胶外胶层组成。


APPLICATIONS: This section covers hose for use with petroleum base hydraulic fluids within a temperature range of -40°C~+100°C (-40°F~+212°F).

CONSTRUCTION: This hose shall consist of an inner tube of oil resistant synthetic rubber, a steel wire braid reinforcement, (one or two braids, according to hose design), and an oil and weather resistant synthetic rubber cover.

规格	规格	 软管内径 I.D.		 增强层外径 W.D.		 软管外径 O.D.	 外胶层厚度		 最大工作压力 Max. W.P.	 试验压力 P.P.	 最小爆破压力 Min. B.P.	 最小弯曲半径 Min. B.R.	 参考重量 W.T.
		SIZE	DASH	最小	最大	最小	最大	最大					
-3	3/16	4.6	5.4	10.3	11.9	12.7	0.8	1.5	28	28	56	45	0.169
-4	1/4	6.2	7.0	11.9	13.5	14.4	0.8	1.5	28	28	56	50	0.210
-5	5/16	7.7	8.5	13.5	15.1	16.3	0.8	1.5	28	28	56	55	0.254
-6	3/8	9.3	10.1	15.1	16.7	18.0	0.8	1.5	28	28	56	65	0.466
-8	1/2	12.3	13.5	19.0	20.6	22.6	0.8	1.5	28	28	56	90	0.586
-10	5/8	15.5	16.7	22.2	23.8	27.5	0.8	1.5	28	28	56	100	0.749
-12	3/4	18.6	19.8	25.4	27.8	32.5	0.8	2.2	28	28	56	120	1.457


LT691

超低温钢丝编织液压橡胶软管

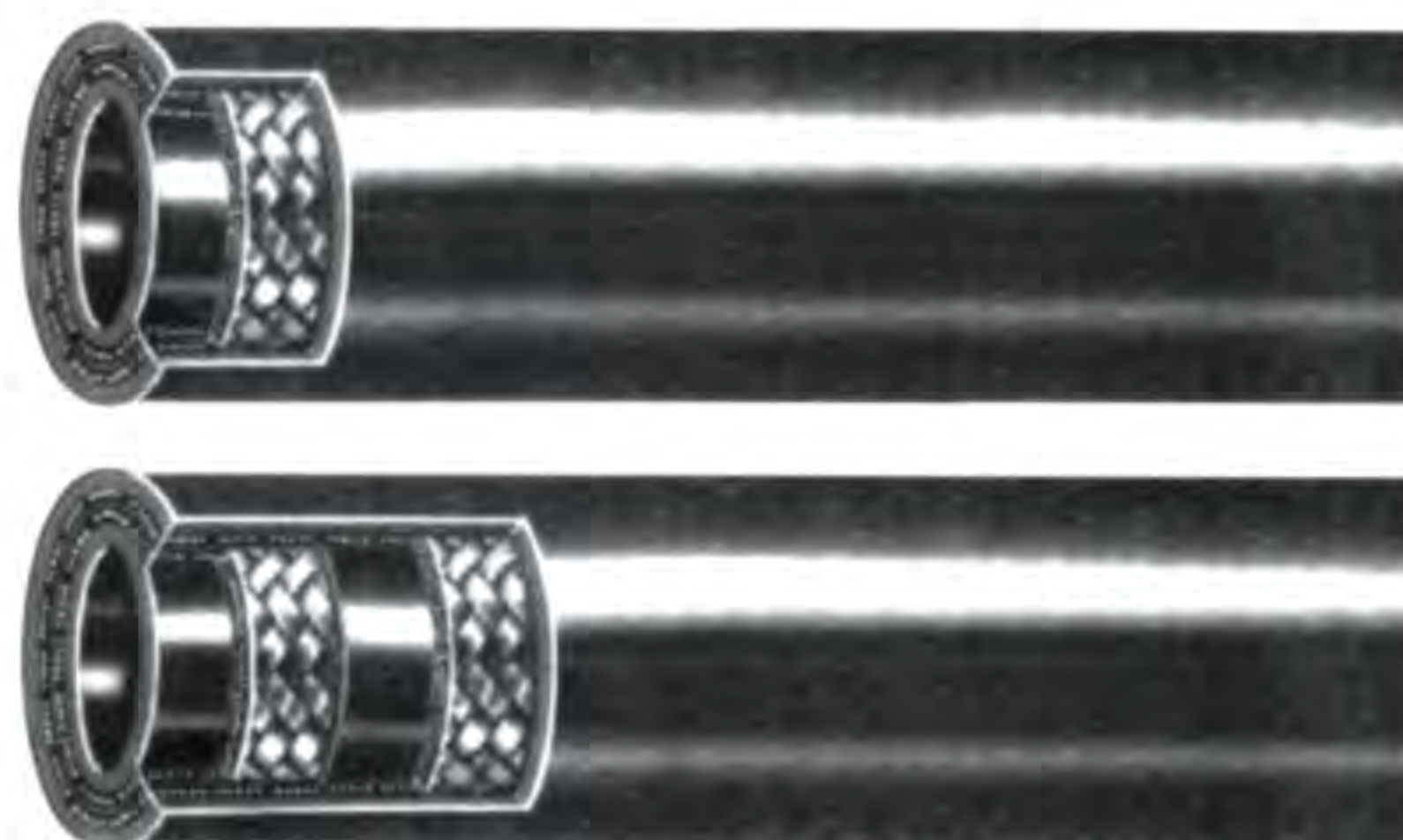
SUPER LOW TEMPERATURE RESISTANT WIRE BRAID HYDRAULIC RUBBER HOSE

用途:

适用于超低温下使用的石油基液压油, 温度使用范围
-55°C~+100°C

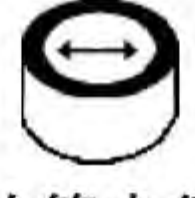







结构:

软管由耐超低温性特好的,具有良好耐油性的特种复合橡胶内胶,钢丝编织增强层,耐超低温性特好,并且具有良好耐天候性的特种复合橡胶外胶组成.



APPLICATIONS: For delivery of petroleum base hydraulic oil within a temperature range of -55°C~+100°C

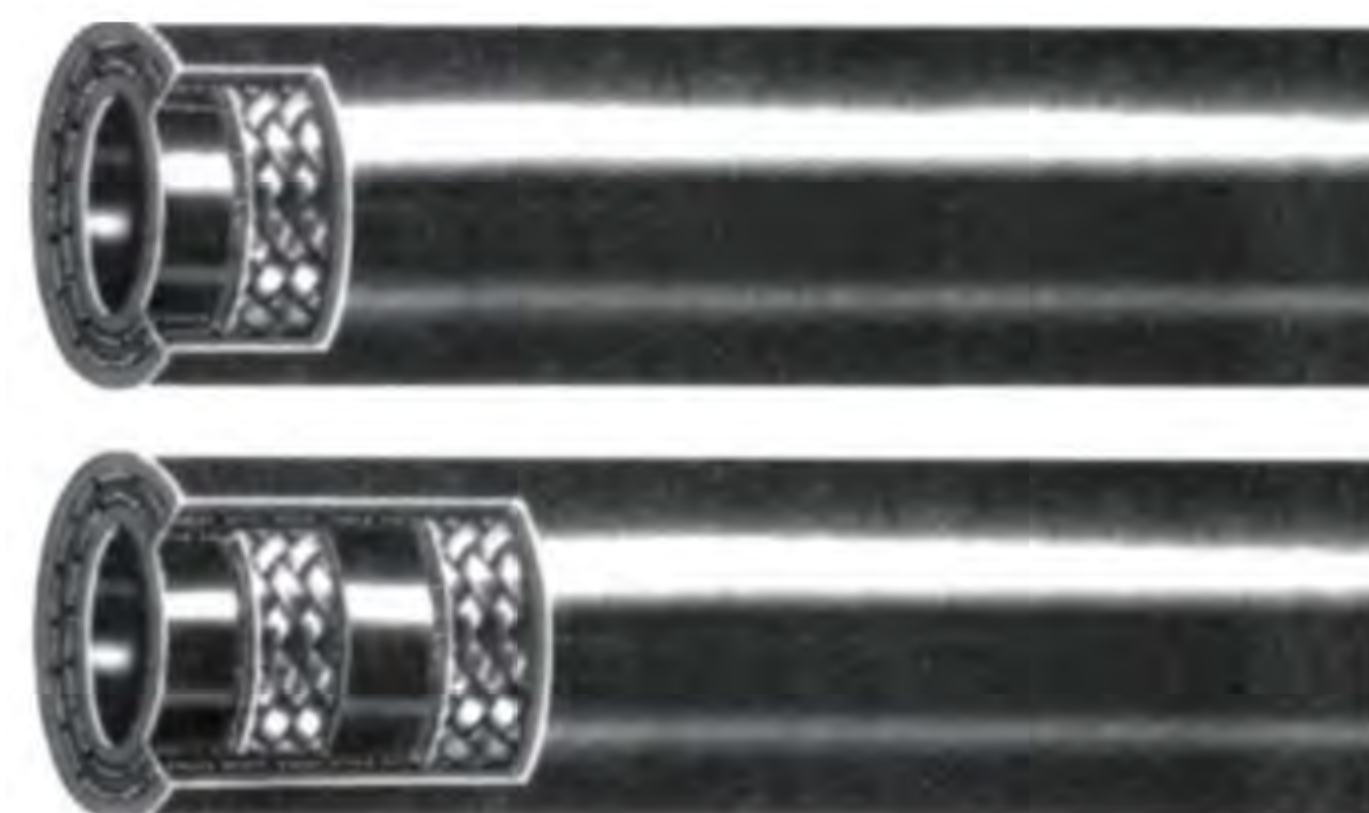
CONSTRUCTION: This hose consist of an inner tube made of low temperature resistants and oil resistant special rubber compound, a wire braid reinforcement and a hose cover made of low temperature resistant and oil resistant special rubber compound .

规格	英制规格	 软管内径 I. D		 增强层外径 W. D		 软管外径 O. D		 最大工作压力 MAX. W.P	 试验压力 P. P	 最小爆破压力 MIN.B.P	 最小弯曲半径 MIN.B.R	 参考重量 W. T
		最小	最大	最小	最大	最小	最大	MPA	MPA	MPA	MM	Kg/m
SIZE	SIZE	MIN	MAX	MIN	MAX	MIN	MAX					
DASH	IN	MIN	MAX	MIN	MAX	MIN	MAX	MPA	MPA	MPA	MM	Kg/m
-4	1/4-1	5.8	6.5	10.6	11.6	12.5	13.5	25	50	100	80	0.23
-5	5/16-1	7.7	8.5	12.1	13.3	14.5	15.5	21	42	84	92	0.28
-6	3/8-1	9.8	10.5	14.5	15.7	16.5	17.5	21	42	84	104	0.33
-8	1/2-1	12.8	13.5	17.5	19.0	20.0	21.0	14	28	56	144	0.40
-10	5/8-1	15.8	16.6	20.6	22.2	23.5	24.5	14	28	56	160	0.48
-12	3/4-1	18.8	19.8	24.6	26.2	27.5	28.5	14	28	56	192	0.62
-16	1 - 1	24.8	25.8	32.5	34.1	34.5	35.5	9	18	36	240	0.91
-4	1/4-2	5.8	6.5	12.1	13.3	14.2	15.2	42	84	168	80	0.35
-5	5/16-2	7.8	8.5	13.7	14.9	15.8	16.8	42	84	168	92	0.41
-6	3/8-2	9.8	10.5	16.1	17.3	18.2	19.2	35	70	140	104	0.50
-8	1/2-2	12.8	13.5	19.0	20.6	21.3	22.3	28	56	112	144	0.63
-10	5/8-2	15.8	16.6	22.2	23.8	24.5	25.5	28	56	112	160	0.72
-12	3/4-2	18.8	19.8	26.2	27.8	28.7	29.7	25	50	100	192	0.92



LT 699 ISO18752-AC/BC

大力神钢丝编织系列软管 ARTERY® WIRE BRAID HYDRAULIC RUBBER HOSE



软管结构

内胶层: 丁腈合成橡胶, 适用于可生物降解的液压油

增强层: 高强度柔性钢丝, 爆破压力提升15%以上。一层编织不少于30万次, 两层编织不少于50万次

外胶层: 免剥外胶黑色光面(耐天候三年以上)

温度范围: -40°C~+100°C(-40°F~+212°F)

执行标准: 符合ISO18752-AC/BC标准

Hose Construction

Inner Tube: NBR synthetic rubber, which is suitable for biodegradable hydraulic oil delivery

Reinforcement: braided high tensile steel wire, the burst test pressure improved over 15%. One ply braided hose impulse test $\geq 300,000$ cycles, two-ply braided hose impulse test $\geq 500,000$ cycles

Outer Layer: smooth surface cover with non-cover removal (with stand all weather exposure for over 3 years)

Temperature Range: -40°C~+100°C(-40°F~+212°F)

Produce Standard: comply with ISO18752-AC/BC standard

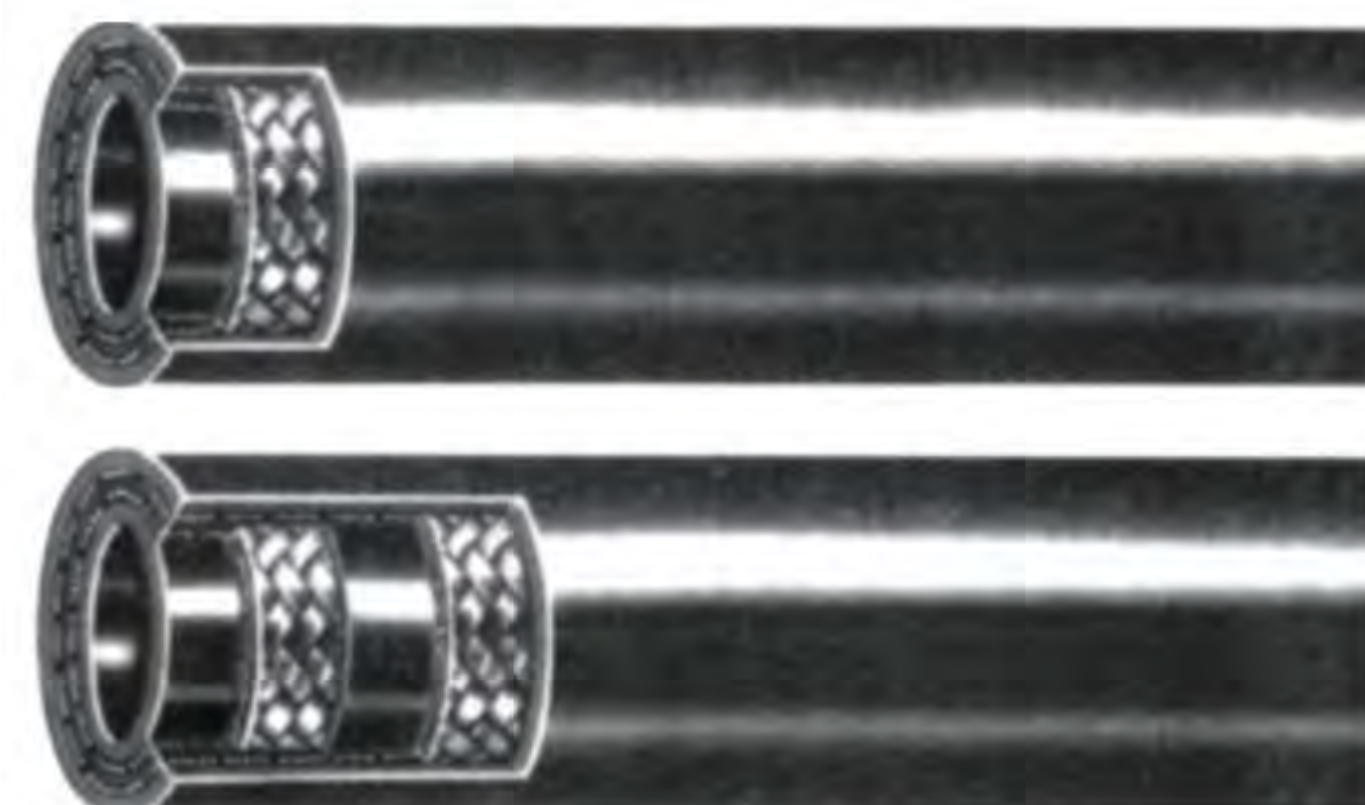
产品型号 TYPE	英制规格	软管内径 I. D		增强层外径 O. D		软管外径 O. D		最大 工作压力 MAX. W. P	试验压 力 P. P	最小爆 破压力 MIN.B.P	最小脉冲次数 MIN. IMPULSE 万次 10K	最小弯 曲半径 MIN.B.R	参考 重量 W. T
	SIZE	最小	最大	最小	最大	最小	最大						
	IN	MIN	MAX	MIN	MAX	MIN	MAX						
- 4	1/4-1	5.8	6.5	10.6	11.6	12.5	13.5	25	50	100	30	80	0.23
- 5	5/16-1	7.7	8.5	12.1	13.3	14.5	15.5	25	50	100	30	92	0.30
- 6	3/8-1	9.8	10.5	14.5	15.7	16.5	17.5	21	42	84	30	104	0.34
- 8	1/2-1	12.8	13.5	17.5	19.0	20.0	21.1	18	36	72	30	144	0.40
-10	5/8-1	15.8	16.6	20.6	22.2	23.5	24.5	14	28	56	30	160	0.50
-12	3/4-1	18.8	19.8	24.6	26.2	27.5	28.5	14	28	56	30	192	0.65
-16	1-1	24.8	25.8	32.5	34.1	34.5	35.5	9	18	36	30	240	1.00
-20	1 1/4-1	31.4	33	39.5	40.5	42.9	44.1	6.3	13	25	30	400	1186.2
-24	1 1/2-1	37.7	39.3	45.2	46.2	48.6	49.8	5	10	20	30	480	1323
-32	2-1	50.4	52	58.9	60.1	62.3	63.7	4	8	16	30	560	1823
- 4	1/4-2	5.8	6.5	12.1	13.3	14.2	15.2	42	84	168	50	80	0.34
- 5	5/16-2	7.7	8.5	13.7	14.9	15.8	16.8	35	84	140	50	92	0.43
- 6	3/8-2	9.8	10.5	16.1	17.3	18.2	19.2	35	70	140	50	104	0.52
- 8	1/2-2	12.8	13.5	19.0	20.6	21.3	22.3	28	56	112	50	144	0.63
-10	5/8-2	15.8	16.6	22.2	23.8	24.5	25.5	28	56	112	50	160	0.78
-12	3/4-2	18.8	19.8	26.2	27.8	28.7	29.7	25	50	100	50	192	0.92
-16	1-2	24.8	25.8	34.1	35.7	36.2	37.2	21	42	84	50	240	1.32
-20	1 1/4-2	31.4	33.0	43.3	45.7	46.7	48.3	14	28	56	50	400	1.80
-24	1 1/2-2	37.7	39.3	49.6	52.0	52.6	54.0	9.0	18	36	50	480	2.20
-32	2-2	50.4	52.0	62.3	64.7	66.0	67.6	8.0	16	32	50	610	3.00



LT SA699 ISO18752-BC/CS

超级大力神钢丝编织软管

SUPER ARTERY® STEEL WIRE BRAIDE SERIES



软管结构

内胶层: 氯丁/丁腈合成橡胶

增强层: 一层或两层编织的高强超柔钢丝, 1层脉冲 ≥ 30 万次; 2层脉冲 ≥ 60 万次

外胶层: 黑色光面耐老化免剥合成橡胶层

特性: 低弯曲: 弯曲半径低于SAE/DIN标准30%; 高压: 压力高于SAE/DIN标准25%; 长寿命: 耐天候5年以上, 质保2年 (使用利通专供一体式软管接头)

温度范围: $-40^{\circ}\text{C}\sim+121^{\circ}\text{C}$ ($-40^{\circ}\text{F}\sim+250^{\circ}\text{F}$)

执行标准: 超过 ISO18752 BC/CS标准

Hose Construction

Inner Layer: CR/NBR synthetic rubber

Reinforcement: braided high tensile super flexible steel wire, one braid impulse reaches 300,000 cycles, two braids reaches 600,000 cycles

Outer Layer: skiving-free black smooth hose cover made of anti-aging synthetic rubber

Hose Features:

Low bending radius: 30% lower than SAE/DIN standards

High pressure: 25% higher than SAE/DIN standards

Long service life: weather resistant for more than 5 years and warranted for 2 years (with Letone specific hose connectors)

Temperature Range: $-40^{\circ}\text{C}\sim+121^{\circ}\text{C}$ ($-40^{\circ}\text{F}\sim+250^{\circ}\text{F}$)

Standard: exceeds ISO18752 BC/CS

产品类型 TYPE	产品规格 SIZE (inch)	软管内径 I.D. (mm)	工作压力 W.P. (MPa)	爆破压力 B.P. (MPa)	工作温度 T. ($^{\circ}\text{C}$)	最小弯曲半径 MIN.B.R. (mm)
SA699-1BC/CS	1/4"	6.4	29.5	118	$-40^{\circ}\text{C}\sim+121^{\circ}\text{C}$	40
SA699-1BC/CS	5/16"	7.9	25	100	$-40^{\circ}\text{C}\sim+121^{\circ}\text{C}$	55
SA699-1BC/CS	3/8"	9.5	23	92	$-40^{\circ}\text{C}\sim+121^{\circ}\text{C}$	65
SA699-1BC/CS	1/2"	12.7	20	80	$-40^{\circ}\text{C}\sim+121^{\circ}\text{C}$	80
SA699-1BC/CS	5/8"	15.9	15	60	$-40^{\circ}\text{C}\sim+121^{\circ}\text{C}$	105
SA699-1BC/CS	3/4"	19	14	56	$-40^{\circ}\text{C}\sim+121^{\circ}\text{C}$	120
SA699-1BC/CS	1"	25.4	11	44	$-40^{\circ}\text{C}\sim+121^{\circ}\text{C}$	160
SA699-1BC/CS	1 1/4"	31.8	10	40	$-40^{\circ}\text{C}\sim+121^{\circ}\text{C}$	300
SA699-1BC/CS	1 1/2"	38.1	5	20	$-40^{\circ}\text{C}\sim+121^{\circ}\text{C}$	480
SA699-1BC/CS	2"	50.8	4	16	$-40^{\circ}\text{C}\sim+121^{\circ}\text{C}$	560
SA699-2BC/CS	1/4"	6.4	42	168	$-40^{\circ}\text{C}\sim+121^{\circ}\text{C}$	55
SA699-2BC/CS	5/16"	7.9	38	152	$-40^{\circ}\text{C}\sim+121^{\circ}\text{C}$	60
SA699-2BC/CS	3/8"	9.5	35	140	$-40^{\circ}\text{C}\sim+121^{\circ}\text{C}$	70
SA699-2BC/CS	1/2"	12.7	31	124	$-40^{\circ}\text{C}\sim+121^{\circ}\text{C}$	110
SA699-2BC/CS	5/8"	15.9	28	112	$-40^{\circ}\text{C}\sim+121^{\circ}\text{C}$	130
SA699-2BC/CS	3/4"	19	25	100	$-40^{\circ}\text{C}\sim+121^{\circ}\text{C}$	160
SA699-2BC/CS	1"	25.4	21	84	$-40^{\circ}\text{C}\sim+121^{\circ}\text{C}$	210
SA699-2BC/CS	1 1/4"	31.8	16.5	66	$-40^{\circ}\text{C}\sim+121^{\circ}\text{C}$	250
SA699-2BC/CS	1 1/2"	38.1	13.5	54	$-40^{\circ}\text{C}\sim+121^{\circ}\text{C}$	300
SA699-2BC/CS	2"	50.8	8	32	$-40^{\circ}\text{C}\sim+121^{\circ}\text{C}$	610


LT781 SAE 100R3
耐油橡胶软管
OIL RESISTANT RUBBER HOSE
用途:

适用于使用石油基液压油，温度范围-40°C~+100°C (-40°F~+212°F) 的软管。

结构:


软管由一层耐油合成橡胶内胶层和两层适当的纤维层和一层耐油耐天候合成橡胶外胶层组成。

APPLICATIONS: This section covers hose for use with petroleum base hydraulic fluids within a temperature range of -40°C~+100°C(-40°F~+212°F).

CONSTRUCTION: This hose shall consist of an inner tube of oil resistant synthetic rubber, two braids of suitable fiber, and an oil and weather resistant synthetic rubber cover.



规格	规格	 软管内径 I.D		 软管外径 O.D		 最大 工作压力 Max. W.P	 最小爆 破压力 Min. B.P	 最小弯 曲半径 Min. B.R	 参考重量 W.T	
		最小	最大	最小	最大				kg/m	1b/ft
SIZE	SIZE	Min	Max	Min	Max	MPa	MPa	mm	kg/m	1b/ft
-3	3/16	4.5	5.4	11.9	13.5	10.5	42	75	0.15	0.15
-4	1/4	6.1	7.0	13.5	15.1	8.7	34.8	75	0.16	0.20
-5	5/16	7.6	8.5	16.7	18.3	8.4	33.6	100	0.25	0.25
-6	3/8	9.2	10.1	18.3	19.8	7.8	31.2	100	0.31	0.30
-8	1/2	12.4	13.5	23.0	24.6	7	28	125	0.40	0.45
-10	5/8	15.6	16.7	26.2	27.8	6.1	24.4	140	0.51	0.53
-12	3/4	18.7	19.8	31.0	32.5	5.2	20.8	150	0.61	0.65
-16	1	25.1	26.2	36.9	39.3	3.9	15.6	205	0.91	0.80
-20	1 1/4	31.4	32.9	42.9	46.0	2.6	10.4	250	1.10	0.96


LT782 SAE 100R4

液压吸引橡胶软管

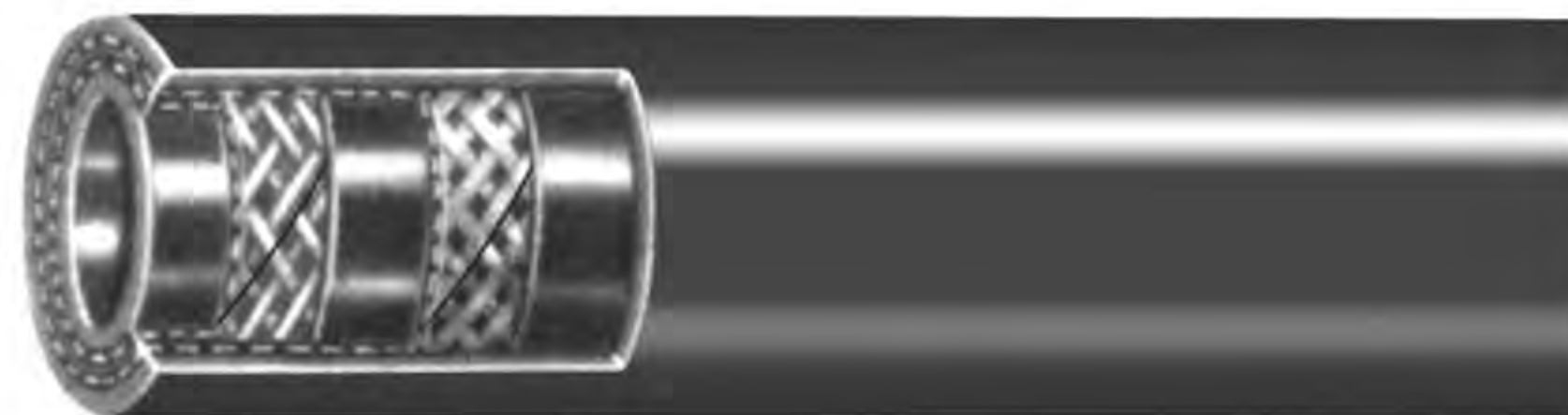
HYDRAULIC SUCTION RUBBER HOSE

用途:

适用于使用石油基液压油, 温度范围-40°C~+100°C (-40°F~+212°F) 的软管。

结构:

软管由一层耐油合成橡胶, 一层由单层或多层布或编织的纺织纤维与适当的管体钢丝回旋线构成的增强层和一层耐油耐天候合成橡胶外胶层所组成。



APPLICATIONS: This section covers hose for use in low pressure and vacuum applications with petroleum base hydraulic fluids within a temperature range of -40°C~+100°C (-40°F~+212°F) .

CONSTRUCTION: This hose shall consist of an inner tube of oil resistant synthetic rubber, a reinforcement of one ply or multiple plies of cloth or braided fibers mounted with a suitable spiral steel wire and an oil and weather resistant synthetic rubber cover.

规格	规格	软管内径 I.D		软管外径 O.D	最大 工作压力 Max. W.P		试验压力 P.P		最小爆 破压力 Min. B.P		参考 重量 W.T
		最小	最大	最大	MPa	Psi	MPa	Psi	MPa	Psi	
SIZE	SIZE	Min	Max	Max	MPa	Psi	MPa	Psi	MPa	Psi	kg/m
DASH	inch	Min	Max	Max	MPa	Psi	MPa	Psi	MPa	Psi	kg/m
-12	3/4	18.2	19.8	34.9	2.1	305	4.2	610	8.4	1210	0.60
-16	1	24.6	26.2	41.3	1.7	250	3.5	510	7	1015	0.94
-20	1 1/4	30.6	33.0	50.8	1.4	200	2.8	410	5.6	810	1.20
-24	1 1/2	36.9	39.3	57.2	1.05	150	2.1	305	4.2	610	1.50
-32	2	49.2	52.4	69.9	0.7	100	1.4	200	2.8	410	2.00
-40	2 1/2	61.9	65.1	82.6	0.4	60	0.85	120	1.7	250	2.70
-48	3	74.6	77.8	95.3	0.4	60	0.8	120	1.6	230	3.20
-56	3 1/2	87.3	90.5	107.9	0.3	40	0.6	90	1.25	180	4.60
-64	4	100.0	103.2	120.7	0.25	40	0.6	70	1	145	5.40


LT783 SAE 100R5

液压橡胶软管

HYDRAULIC RUBBER HOSE

用途:

适用于使用石油基液压油，温度范围-40°C~+100°C (-40°F~+212°F) 的软管。

结构:


软管由一层耐油合成橡胶内胶层、一层单根钢丝编织增强层和一层纤维编织层组成。



APPLICATIONS: This section covers hose for use with petroleum base hydraulic fluids within a temperature range of -40°C~+100°C (-40°F~+212°F).

CONSTRUCTION: This hose shall consist of an inner tube of oil resistant synthetic rubber, a single steel wire braid reinforcement and a fiber braid cover.

规格	规格	 软管内径 I.D		 软管外径 O.D		 最大 工作压力 Max. W.P	 最小爆 破压力 Min. B.P	 最小弯 曲半径 Min. B.R	 参考重量 W.T
		最小	最大	最小	最大				
SIZE	SIZE	Min	Max	Min	Max	MPa	MPa	mm	kg/m
DASH	in	Min	Max	Min	Max	MPa	MPa	mm	kg/m
-3	3/16	4.8	5.5	12.7	13.7	21	84	75	0.20
-4	1/4	6.4	7.2	14.3	15.3	21	84	85	0.25
-5	5/16	7.9	8.7	16.7	17.6	15.7	62.8	100	0.31
-6	3/8	10.3	11.1	18.9	20.0	14	56	115	0.36
-8	1/2	12.7	13.7	22.8	24.0	12.2	48.8	140	0.45
-10	5/8	15.9	17.0	26.8	28.0	10.5	42	165	0.60
-12	7/8	22.2	23.3	30.6	32.2	5.6	22.4	185	0.70
-16	1 1/8	28.6	29.8	37.3	38.9	4.3	17.2	230	0.85
-20	1 3/8	34.9	36.1	43.7	45.2	3.5	14	265	1.00
-32	1 3/4	46.0	47.2	55.2	57.6	2.4	9.6	335	1.40
-40	2 3/8	60.3	61.9	71.8	74.2	2.4	9.6	610	2.16
-48	3	76.2	77.8	89.3	91.7	1.4	5.6	840	2.84


LT784 SAE 100R6
液压橡胶软管
OIL HOSE
用途:

适用于使用石油基液压油，温度范围-40°C~+100°C
(-40°F~+212°F) 的软管。

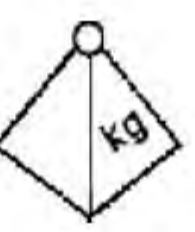
结构:


软管由一层耐油合成橡胶内胶层、一层适当的纤维编织层和一层耐油耐天候合成橡胶外胶层组成。

APPLICATIONS: This section covers hose for use with petroleum base hydraulic fluids within a temperature range of -40°C~+100°C (-40°F~+212°F) .



CONSTRUCTION: This hose shall consist of an inner tube of oil resistant synthetic rubber, one braid of suitable fiber, and an oil and weather resistant synthetic rubber cover.

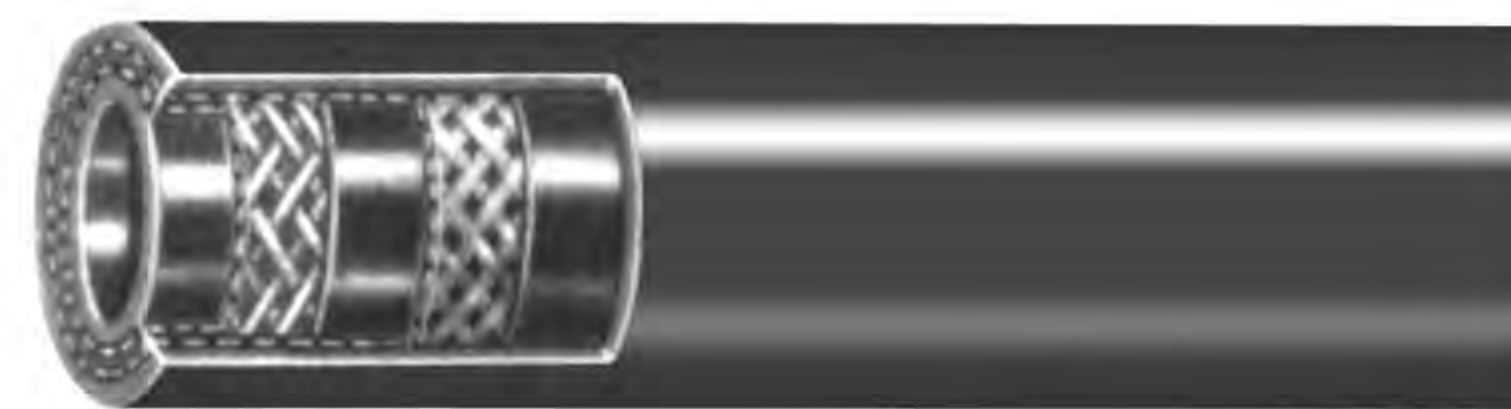
规格	规格	 软管内径 I.D		 软管外径 O.D		 最大 工作压力 Max. W.P		 最小爆 破压力 Min. B.P		 最小弯 曲半径 Min. B.R	 参考重量 W.T
		SIZE	SIZE	最小	最大	最小	最大	MPa	Psi	MPa	Psi
DASH	in	Min	Max	Min	Max	MPa	Psi	MPa	Psi	mm	kg/m
-3	3/16	4.4	5.2	10.3	11.9	3.4	500	14	2000	50	0.10
-4	1/4	5.9	6.9	11.9	13.5	2.8	400	11.2	1600	65	0.13
-5	5/16	7.4	8.4	13.5	15.1	2.8	400	11.2	1600	80	0.14
-6	3/8	9.0	10.0	15.1	16.7	2.8	400	11.2	1600	80	0.16
-8	1/2	12.1	13.3	19.0	20.6	2.8	400	11.2	1600	100	0.20
-10	5/8	15.3	16.5	22.2	23.8	2.4	340	9.6	1360	125	0.27
-12	3/4	18.2	19.8	25.4	27.8	2.1	340	8.4	1200	150	0.39


LT785 GB1186
压缩空气管
COMPRESSED AIR HOSE
用途:

适用于各种动力机械及风动工具在常温下输送压缩空气、水或惰性气体。

结构:

胶管骨架层采用化学纤维编织、缠绕、管体结实耐用，承压高。外观为光面或布纹两种，颜色有红色、绿色、蓝色和黑色。软管执行GB1186标准。



APPLICATIONS: For delivery of compressed air, water and other flowing medium in normal temperature by pneumatic tools and power machinery etc.

CONSTRUCTION: Reinforced with braid or spiral fabric, the hose structure is strong and durable and can be subject to high pressure. Hose available in red, yellow, green, blue and black color with a choice of smooth or wrapped cover. The hose is made in conformity with GB 1186.

规格	规格	 软管内径 I.D.		 软管外径 O.D.	 最大工作压力 Max. W.P.	 最小爆破压力 Min. B.P.	 参考重量 W.T.
		最小	最大				
SIZE	SIZE	Min	Max	mm	MPa	MPa	kg/m
DASH	in						
-8	1/2	12.5	14.0	23	1.0	4.0	0.34
-10	5/8	15.5	17.0	26	1.0	4.0	0.40
-12	3/4	18.5	20.0	29	1.0	4.0	0.45
-16	1	24.5	26.0	35	1.0	4.0	0.48
-20	1 1/4	31.5	33.0	45	1.0	4.0	0.95
-24	1 1/2	37.5	39.0	52	1.0	4.0	1.25
-32	2	50.0	52.5	66	1.0	4.0	1.60
-8	1/2	12.5	14.0	23	2.0	8.0	0.34
-10	5/8	15.5	17.0	26	2.0	8.0	0.41
-12	3/4	18.5	20.0	29	2.0	8.0	0.46
-16	1	24.5	26.0	35	2.0	8.0	0.50
-20	1 1/4	31.5	33.0	45	2.0	8.0	0.97
-24	1 1/2	37.5	39.0	52	2.0	8.0	1.27
-32	2	50.0	52.5	66	2.0	8.0	1.70

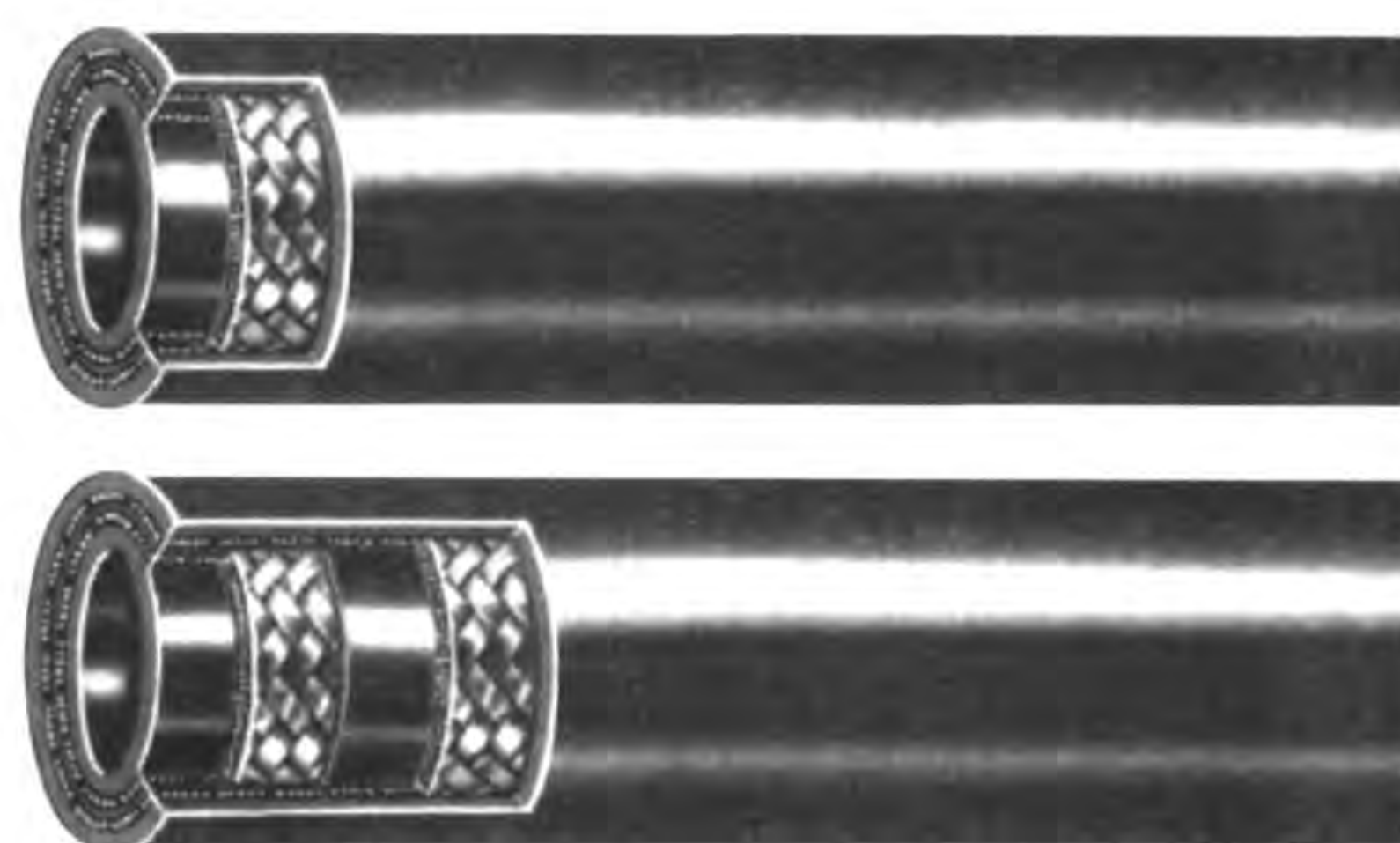

LT786 HG/T3036

钢丝编织蒸汽软管
WIRE BRAID STEAM HOSE
用途:

适用于连续输送温度在150°C (302°F) 以下或间歇性输送温度在160°C (302°F) 以下的饱和蒸汽及过热水。

结构:

采用耐热性能良好的特种橡胶制造，用镀铜钢丝增强。外观为黑色光面或黑色布纹。软管执行HG/T3036标准。



APPLICATIONS: For the delivery of saturated steam and superheated water continuously at a temperature lower than 150°C(302°F),or intermittently at a temperature lower than 160°C(302°F).

CONSTRUCTION: Made of excellent heat resistant rubber . The reinforcement is braided with copper-clad steel wire, available in black with either corrugated or smooth surface. The hose is made in conformity with HG/T3036.

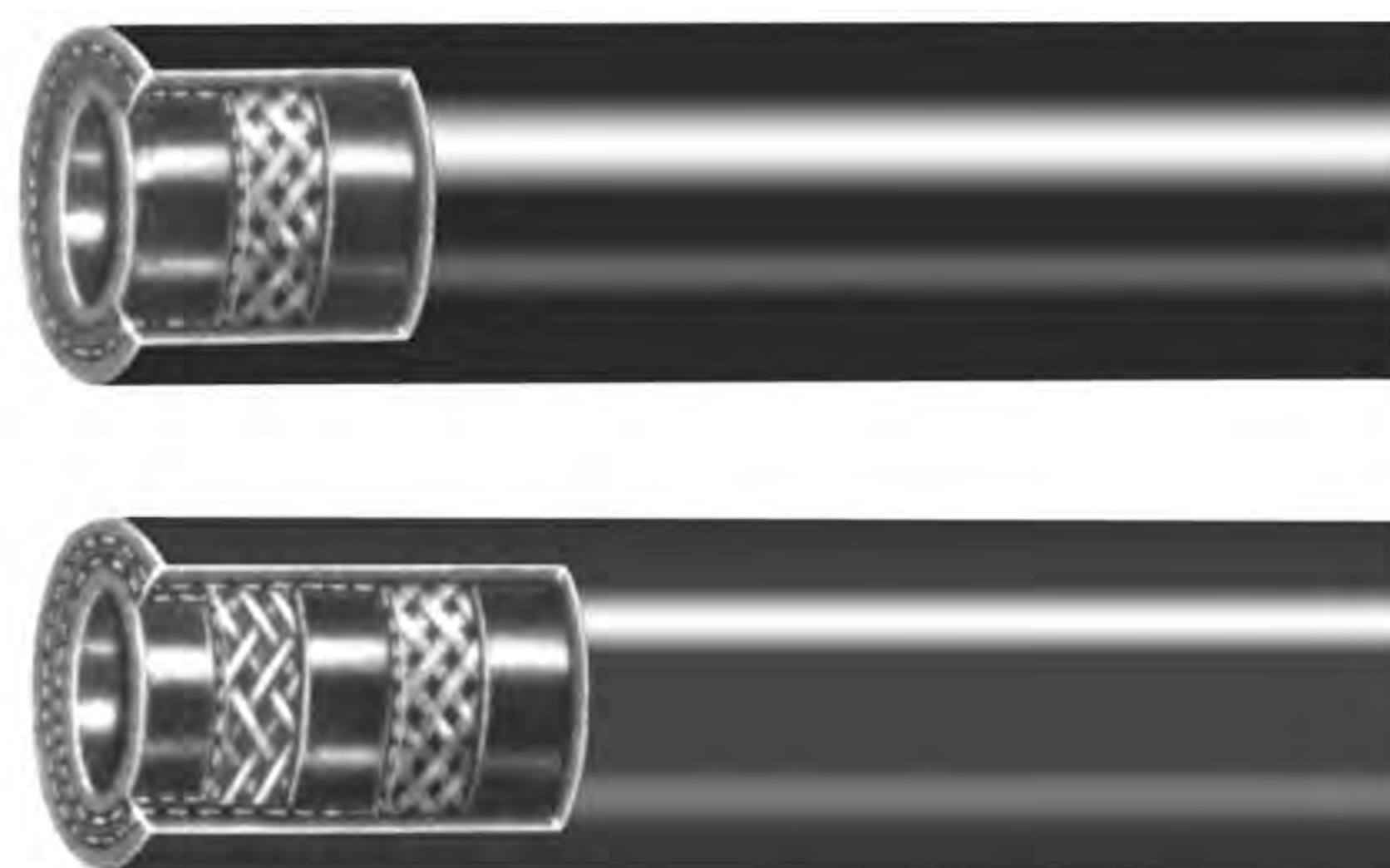
规格	规格	 软管内径 I.D		 软管外径 O.D	 增强层外径 W.D		 最大工作压力 Max. W.P	 最小爆破压力 Min. B.P	 参考重量 W.T
		最小	最大		最小	最大			
SIZE	SIZE	Min	Max	mm	Min	Max	MPa	MPa	kg/m
DASH	in	Min	Max	mm	Min	Max	MPa	MPa	kg/m
-6	3/8-1	9.8	10.8	22	17.0	18.0	0.4	3	0.37
-8	1/2-1	12.7	13.7	24	20.3	21.3	0.4	3	0.49
-10	5/8-1	15.5	16.5	27	23.1	24.1	0.4	3	0.57
-12	3/4-1	18.5	20.0	30	26.5	27.5	0.4	3	0.68
-16	1-1	24.5	26.0	38	33.0	34.0	0.4	3	0.89
-20	1 1/4-1	31.5	33.0	46	39.8	40.8	0.4	3	1.22
-24	1 1/2-1	37.5	39.0	51	46.0	47.0	0.4	3	1.35
-32	2-1	50.0	52.0	64	59.0	60.0	0.4	3	1.74
-6	3/8-2	9.8	10.8	23	18.5	19.5	0.4	3	0.58
-8	1/2-2	12.7	13.7	27	22.0	23.0	0.4	6	0.70
-10	5/8-2	15.5	16.5	29	24.5	25.5	0.4	6	0.82
-12	3/4-2	18.5	20.0	32	28.0	29.5	0.4	6	0.98
-16	1-2	24.5	26.0	39	34.5	35.5	0.4	6	1.25
-20	1 1/4-2	31.5	33.0	47	41.5	42.5	0.4	6	1.69
-24	1 1/2-2	37.5	38.0	52	47.5	48.5	0.4	6	1.90
-32	2-2	50.0	52.0	89	60.5	61.5	0.4	6	2.55


LT787 EN854-2TE-3TE
低压回油软管
LOW PRESSURE OIL RETURN HOSE
用途:

适用于输送矿物质油，合成脂基油，乳化油和水的低压回油管。

结构:

软管由一层耐油合成橡胶的内胶层，1-2层抗拉纤维编织增强层和一层耐油耐天候的合成橡胶外胶层组成。



APPLICATION: For the delivery of mineral oil, synthetic grease base oil, emulsified oil and water in low pressure return lines.

CONSTRUCTION: This hose shall consist of an inner tube of oil resistant synthetic rubber, one or two plies of high tensile textile braids reinforcement, and a weather resistant synthetic rubber cover.

规格	规格	 软管内径 I.D.		 软管外径 O.D.		 最大工作压力 Max. W.P.	 试验压力 P.P.	 最小爆破压力 Min. B.P.	 最小弯曲半径 Min. B.R.	 参考重量 W.T.
		最小 Min	最大 Max	最小 Min	最大 Max	MPa	MPa	MPa	mm	kg/m
-4	1/4	5.9	6.9	12.6	14.2	7.5	15	30	40	0.14
-5	5/16	7.4	8.4	14.1	15.7	6.8	13.6	27.2	50	0.16
-6	3/8	9.0	10.0	15.7	17.3	6.3	12.6	25.2	60	0.18
-8	1/2	12.1	13.3	18.7	20.7	5.8	11.6	23.2	70	0.22
-10	5/8	15.3	16.5	22.9	24.9	5.0	10	20	90	0.27
-12	3/4	18.2	19.8	26.0	28.0	4.5	9	18	110	0.32
-16	1	24.6	26.2	32.9	35.9	4.0	8	16	130	0.46
-20	1 1/4	30.8	32.8	41.0	44.5	3.5	7	14	140	0.70
-4	1/4	5.9	6.9	13.6	15.2	14.5	29	58.0	45	0.15
-5	5/16	7.4	8.4	16.1	17.7	13.0	26	52.0	55	0.21
-6	3/8	9.0	10.0	17.7	19.3	11.0	22	44.4	70	0.23
-8	1/2	12.1	13.3	20.7	22.7	9.3	18.6	37.2	85	0.30
-10	5/8	15.3	16.5	24.9	26.9	8.0	16	32.0	105	0.39
-12	3/4	18.2	19.8	28.0	30.0	7.0	14	28.0	130	0.43
-16	1	24.6	26.2	34.4	37.4	5.5	11	22.0	150	0.63
-20	1 1/4	30.8	32.8	40.8	43.8	4.5	9	18.0	190	0.80
-24	1 1/2	37.1	39.1	47.6	51.6	4.0	8	16.0	240	1.00
-32	2	50.0	52.0	60.3	64.3	3.0	6	13.2	300	1.30


LT788
喷沙软管
SAND BLASTING HOSE
用途:

适用于对金属体表面风压喷砂除锈用。

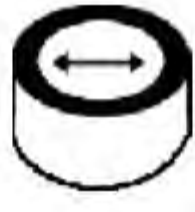




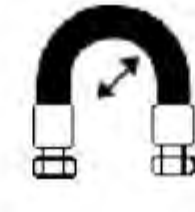

结构:

内胶层采用耐磨性能优良的橡胶制造，耐压性能好。



APPLICATIONS: For sand blasting and eliminating rust on the surface of metal body .

CONSTRUCTION: The inner tube is made of excellent abrasion resistant rubber with good pressure resistance .

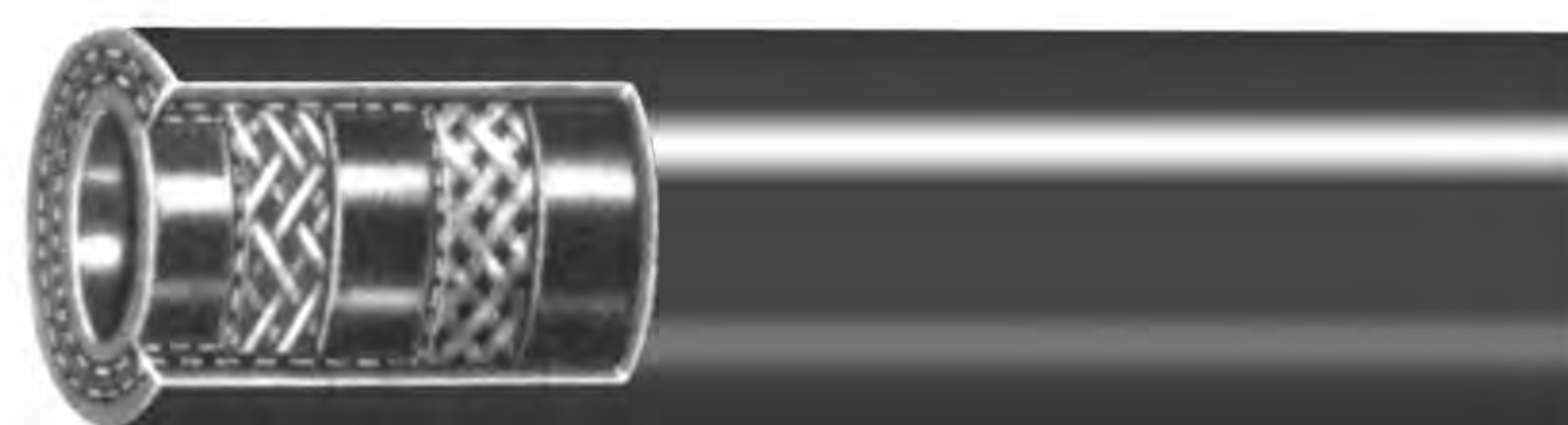
规格	规格	 软管内径 I.D		 软管外径 O.D		 最大 工作压力 Max. W.P	 试验压力 P.P	 最小爆 破压力 Min. B.P	 最小弯 曲半径 Min. B.R	 参考重量 W.T
		最小	最大	最小	最大					
SIZE	SIZE	Min	Max	Min	Max	MPa	MPa	MPa	mm	kg/m
DASH	in	Min	Max	Min	Max	MPa	MPa	MPa	mm	kg/m
-10	5/8	15.8	16.6	29	1.15	1.0	2.0	4.0	105	0.98
-12	3/4	18.8	19.8	35	1.38	1.0	2.0	4.0	130	1.14
-16	1	24.8	25.8	44	1.73	1.0	2.0	4.0	150	1.50
-20	1 1/4	31.6	32.6	50	2.0	1.0	2.0	4.0	190	1.80
-24	1 1/2	37.7	38.8	59	2.32	1.0	2.0	4.0	240	2.10
-28	1 3/4	44.6	45.6	64	2.50	1.0	2.0	4.0	260	2.30
-32	2	50.7	52	71	0.80	1.0	2.0	4.0	300	2.75
-40	2 1/2	63.7	65.3	85	3.35	0.8	1.6	3.2	800	3.50
-48	3	75.5	77.3	102	4.0	0.8	1.6	3.2	920	4.50
-56	3 1/2	88.5	90.5	115	4.53	0.8	1.6	3.2	1100	5.50
-64	4	101.5	104	128	5.04	0.8	1.6	3.2	1300	6.50


LT789 QC/T664
汽车空调管系列 (四层管、五层管)
AUTOMOTIVE A/C HOSE SERIES
用途:

适用于输送冷媒R134a的各型号汽车空调用橡胶管

结构:

采用耐天候良好的特种橡胶制造, 并采用耐超低冷媒渗透性能和低湿渗透性能的尼龙阻隔材料作为隔离层, 外观为黑色光面橡胶管。执行QC/T664-2000标准, 不仅仅满足国内外各大汽车厂商的标准要求, 而且更能体现着利通公司对改善人类生存环境的关注和不懈努力。



APPLICATIONS: Rubber tubes for various types of automobile air conditioner suitable for conveying refrigerant R134a

CONSTRUCTION: This hose is made of special weather resistant rubber compound, Isolation layer is made of nylon barrier material resistant to low refrigerant permeation and low moisture permeability. Hose finish is black smooth. Hose quality subject to QC/T 664-2000 standard, not only meeting the standard requirement of big domestic and foreign automobile manufactures, but also embodying Letone's attention and unremitting efforts to improve the living environment of mankind .

空调管规格尺寸 A/C Hose Spec.and Size

LT789A系列规格尺寸 (适用于微型车, 卡车及售后市场)		
规格 NOM SIZE	INSIDE DIAMETER 内径(mm)	OUTSIDE DIAMETER 外径(mm)
8.0	Φ8.±0.3	Φ15.2±0.4
11.2	Φ11.2±0.3	Φ18.4±0.4
13.0	Φ13.0±0.3	Φ21.0±0.4
15.2A	Φ15.2±0.4	Φ24.5±0.5
15.2B	Φ15.2±0.4	Φ23.0±0.5

LT789B系列规格尺寸 (适用于微型车, 卡车, 大中巴客车及售后市场)		
规格 NOM SIZE	INSIDE DIAMETER 内径(mm)	OUTSIDE DIAMETER 外径(mm)
5/16	Φ8.2±0.4	Φ19.0±0.5
13/32	Φ10.5±0.4	Φ23.0±0.8
1/2A	Φ13.0±0.5	Φ25.4±0.8
1/2B	Φ13.0±0.5	Φ23.0±0.8
1/2C	Φ13.0±0.5	Φ22.4±0.8
5/8	Φ16.1±0.5	Φ28.6±0.8

LT789C系列规格尺寸 (适用于轿车及售后市场)		
规格 NOM SIZE	INSIDE DIAMETER 内径(mm)	OUTSIDE DIAMETER 外径(mm)
5/16	Φ8.2±0.4	Φ14.7±0.5
13/32	Φ10.5±0.4	Φ17.3±0.5
1/2	Φ13.0±0.5	Φ19.4±0.5
5/8	Φ16.1±0.5	Φ23.6±0.5

LT789D系列规格尺寸 (适用于大中巴客车及售后市场)		
规格 NOM SIZE	INSIDE DIAMETER 内径(mm)	OUTSIDE DIAMETER 外径(mm)
3/4	Φ19.4±0.5	Φ28.4±0.5
7/8	Φ22.7±0.5	Φ32.8±0.5
9/8	Φ29.0±0.5	Φ40.2±0.5


LT 790 SAE 100R7
纤维编织高压树脂软管
FIBER BRAID HIGH PRESSURE THERMOPLASTIC HOSE

软管结构
内层: 尼龙
增强层: 一层或两层合成纤维编织
外层: 黑色或彩色聚氨酯
温度范围: -40°C~+100°C (-40°F~+212°F)
Hose Construction
Inner Tube: nylon
Reinforcement: one or two synthetic fiber braid
Outer Layer: black or other color polyurethane
Temperature Range: -40°C~+100°C (-40°F~+212°F)

产品应用: 适用于输送石油基液压油、水基液压油, 可作为润滑管线、防喷器控制管线等, 广泛应用于液压升降机及农用和建筑机械。

Application: suitable to transfer petroleum and water based hydraulic oil, which could be used as lubrication lines and blowout preventer lines, etc. widely apply to hydraulic lifts, agricultural machines and construction machines.

软管内径 I.D.			软管外径 O.D.	工作压力 W.P.		爆破压力 B.P.		最小弯曲半径 MIN.B.R.	参考重量 W.T.
Dash	In.	mm	mm	MPa	psi	MPa	psi	mm	g/m
-3	3/16-1	4.8	10.3	21	3045	84	12180	35	65
-4	1/4-1	6.3	12.7	22.5	3260	90	13050	50	80
-5	5/16-1	7.9	14.3	19	2755	76	11020	50	125
-6	3/8-1	9.5	15.9	17.5	2540	70	10160	80	140
-8	1/2-1	12.7	19.8	14	2030	56	8120	100	200
-3	3/16-2	4.8	10.3	25	3620	100	14480	55	70
-4	1/4-2	6.3	13.3	27.4	3980	109.6	15920	75	125
-5	5/16-2	7.9	15	26	3770	104	15080	85	150
-6	3/8-2	9.5	18	25	3620	100	14480	100	210
-8	1/2-2	12.7	21.6	21	3040	84	12160	140	260
-10	5/8-2	15.9	23.6	16	2320	64	9280	165	295
-12	3/4-2	19	26.4	14	2030	56	8120	195	315
-16	1-2	25.4	34	10.5	1520	42	6080	256	450


LT 791 SAE 100R7

钢丝编织高压树脂软管

WIRE BRAID HIGH PRESSURE THERMOPLASTIC HOSE



软管结构

内层: 尼龙

增强层: 一层或两层钢丝编织

外层: 黑色或彩色聚氨酯

温度范围: -40°C 至 +100°C (-40°F 至 +212°F)

Hose Construction

Inner Tube: nylon

Reinforcement: one or two steel wire braid

Outer Layer: black or other color polyurethane

Temperature Range: -40°C~+100°C (-40°F~+212°F)

产品应用: 适用于输送石油基液压油、水基液压油, 可作为润滑管线、防喷器控制管线等, 广泛应用于液压升降机及农用和建筑机械。

Application: suitable to transfer petroleum and water based hydraulic oil, which could be used as lubrication lines and blowout preventer lines, etc. widely apply to hydraulic lifts, agricultural machines and construction machines.

软管内径 I.D.			软管外径 O.D.	工作压力 W.P.		爆破压力 B.P.		最小弯曲半径 MIN.B.R.	参考重量 W.T.
Dash	In.	mm	mm	MPa	psi	MPa	psi	mm	g/m
-3	3/16-1	4.8	9.8	35	5070	140	20280	30	130
-4	1/4-1	6.3	12.7	27.5	3990	110	15960	40	180
-5	5/16-1	7.9	14.3	25	3620	100	14480	55	215
-6	3/8-1	9.5	15.9	22.5	3260	63.6	13040	65	240
-8	1/2-1	12.7	19.8	17.5	2540	70	10160	85	310
-10	5/8-1	15.9	23.3	14	2030	56	8120	115	410
-12	3/4-1	19	26.5	12	1740	48	6960	140	500
-16	1-1	25.4	34	10	1450	40	5800	180	650
-4	1/4-2	6.3	13.3	35	5070	140	20280	40	290
-5	5/16-2	7.9	14.9	32.5	4710	130	18840	50	340
-6	3/8-2	9.5	16.7	29	4200	116	16800	70	400
-8	1/2-2	12.7	19.8	26	3770	104	15080	80	560
-10	5/8-2	15.9	23.3	20	2900	80	11600	130	630
-12	3/4-2	19	26	17.5	2540	70	10160	160	750
-16	1-2	25.4	33	12	1740	48	6960	220	1000


LT 792 SAE 100R7

纤维编织双联树脂软管

FIBER BRAID THERMOPLASTIC TWIN HOSE

软管结构

内层: 尼龙

增强层: 一层或两层合成纤维编织

外层: 黑色或彩色聚氨酯

温度范围: -40°C~+100°C (-40°F~+212°F)

Hose Construction

Inner Tube: nylon

Reinforcement: one or two synthetic fiber braid

Outer Layer: black or other color polyurethane

Temperature Range: -40°C~+100°C (-40°F~+212°F)



产品应用: 适用于输送石油基液压油、水基液压油, 可作为润滑管线、防喷器控制管线等, 广泛应用于液压升降机及农用和建筑机械。

Application: suitable to transfer petroleum and water based hydraulic oil, which could be used as lubrication lines and blowout preventer lines, etc. widely apply to hydraulic lifts, agricultural machines and construction machines.

软管内径 I.D.			软管外径 O.D.	工作压力 W.P.		爆破压力 B.P.		最小弯曲半径 MIN.B.R.	参考重量 W.T.
Dash	In.	mm	mm	MPa	psi	MPa	psi	mm	g/m
-4	1/4	6.3	12.7	25	3625	100	14500	50	220
-5	5/16	7.9	14.3	21	3045	84	12180	50	250
-6	3/8	9.5	18	25	3625	100	14500	100	420
-8	1/2	12.7	19.8	16	2320	64	9280	100	400


LT 793 SAE 100R7

钢丝编织双联树脂软管

WIRE BRAID THERMOPLASTIC TWIN HOSE

软管结构

内层: 尼龙

增强层: 一层或两层钢丝编织

外层: 黑色或彩色聚氨酯

温度范围: -40°C 至 +100°C (-40°F 至 +212°F)

Hose Construction

Inner Tube: nylon

Reinforcement: one or two steel wire braid

Outer Layer: black or other color polyurethane

Temperature Range: -40°C~+100°C (-40°F~+212°F)



产品应用: 适用于输送石油基液压油、水基液压油, 可作为润滑管线、防喷器控制管线等, 广泛应用于液压升降机及农用和建筑机械。

Application: suitable to transfer petroleum and water based hydraulic oil, which could be used as lubrication lines and blowout preventer lines, etc. widely apply to hydraulic lifts, agricultural machines and construction machines.

软管内径 I.D.			软管外径 O.D.	工作压力 W.P.		爆破压力 B.P.		最小弯曲半径 MIN.B.R.	参考重量 W.T.
Dash	In.	mm	mm	MPa	psi	MPa	psi	mm	g/m
-4	1/4	6.3	12.7	27.5	3990	110	15960	40	360
-5	5/16	7.9	14.3	25	3625	100	14500	40	430
-6	3/8	9.5	15.9	22.5	3260	90	13040	50	480
-8	1/2	12.7	19.8	18.5	2680	74	10720	70	620


LT 794 SAE 100R8

芳纶纤维编织高压树脂软管

ARAMID FIBER BRAID HIGH PRESSURE THERMOPLASTIC HOSE

软管结构

内层: 尼龙

增强层: 一层或两层芳纶纤维编织

外层: 黑色或彩色聚氨酯

温度范围: -40°C 至 +100°C (-40°F 至 +212°F)



Hose Construction

Inner Tube: nylon

Reinforcement: one or two aramid fiber braid

Outer Layer: black or other color polyurethane

Temperature Range: -40°C~+100°C (-40°F~+212°F)

产品应用: 适用于输送石油基液压油、水基液压油, 可作为润滑管线、防喷器控制管线等, 广泛应用于液压升降机及农用和建筑机械。

Application: suitable to transfer petroleum and water based hydraulic oil, which could be used as lubrication lines and blowout preventer lines, etc. widely apply to hydraulic lifts, agricultural machines and construction machines.

软管内径 I.D.			软管外径 O.D.	工作压力 W.P.		爆破压力 B.P.		最小弯曲半径 MIN.B.R.	参考重量 W.T.
Dash	In.	mm	mm	MPa	psi	MPa	psi	mm	g/m
-3	3/16-1	4.8	10.3	35	5070	140	20280	35	65
-4	1/4-2	6.3	12.3	37.5	5440	150	21760	40	90
-5	5/16-2	7.9	14.3	32.5	4710	130	18840	45	115
-6	3/8-2	9.5	16.7	28	4060	112	16240	60	145
-8	1/2-2	12.7	22.5	35	5070	140	20280	80	290
-10	5/8-2	15.9	24.5	22.5	3260	90	13040	120	290
-12	3/4-2	19	28	17.5	2540	70	10160	140	345
-16	1-2	25.4	34	15	2170	60	8680	160	450


LT 795

69MPa超高压树脂软管

69MPa ULTRA-HIGH PRESSURE THERMOPLASTIC HOSE

软管结构

内层：尼龙

增强层：四层钢丝缠绕

外层：黑色或彩色聚氨酯

温度范围：-40°C 至 +100°C (-40°F 至 +212°F)



Hose Construction

Inner Tube: nylon

Reinforcement: four layers of spiraled steel wire

Outer Layer: black or other color polyurethane

Temperature Range: -40°C~+100°C (-40°F~+212°F)

产品应用：适用于在高压下输送水和液压油等介质，广泛应用于高压清洗等行业。

Application: suitable to transfer water, oil and other medium under high pressure, widely apply to high pressure cleaning industry.

软管内径 I.D.			软管外径 O.D.	工作压力 W.P.		爆破压力 B.P.		最小弯曲半径 MIN.B.R.	参考重量 W.T.
Dash	In.	mm	mm	MPa	psi	MPa	psi	mm	g/m
-4	1/4	6.3	12.5	69	10000	207	30000	110	255
-5	5/16	7.9	14.5	69	10000	207	30000	130	310
-6	3/8	9.5	17.2	69	10000	207	30000	150	375
-8	1/2	12.7	20.8	69	10000	207	30000	200	570

 **LT 796**

100MPa超高压树脂软管

100MPa ULTRA-HIGH PRESSURE THERMOPLASTIC HOSE

软管结构

内层：尼龙

增强层：四层高强超柔钢丝缠绕

外层：黑色或彩色聚氨酯

温度范围：-40°C 至 +100°C (-40°F 至 +212°F)



Hose Construction

Inner Tube: nylon

Reinforcement: four layers of spiraled high tensile super flexible steel wire

Outer Layer: black or other color polyurethane

Temperature Range: -40°C~+100°C (-40°F~+212°F)

产品应用：适用于在高压下输送水和液压油等介质，广泛应用于高压清洗等行业。

Application: suitable to transfer water, oil and other medium under high pressure, widely apply to high pressure cleaning industry.

软管内径 I.D.			软管外径 O.D.	工作压力 W.P.		爆破压力 W.P.		最小弯曲半径 MIN.B.P.	参考重量 W.T.
Dash	In.	mm	mm	MPa	psi	MPa	psi	mm	g/m
-4	1/4	6.3	13.5	100	14500	300	43500	110	310
-5	5/16	7.9	15	100	14500	300	43500	130	350
-6	3/8	9.5	18.5	100	14500	300	43500	160	500
-8	1/2	12.7	22	100	14500	300	43500	200	640


LT 797

150MPa超高压树脂软管

150MPa ULTRA-HIGH PRESSURE THERMOPLASTIC HOSE

软管结构

内层: 尼龙

增强层: 四层或六层高强超柔钢丝缠绕

外层: 黑色或彩色聚氨酯

温度范围: -40°C 至 +100°C (-40°F 至 +212°F)



Hose Construction

Inner Tube: nylon

Reinforcement: four or six layers of spiraled high tensile super flexible steel wire

Outer Layer: black or other color polyurethane

Temperature Range: -40°C~+100°C (-40°F~+212°F)

产品应用: 适用于在高压下输送水和液压油等介质, 广泛应用于高压清洗等行业。

Application: suitable to transfer water, oil and other medium under high pressure, widely apply to high pressure cleaning industry.

软管内径 I.D.			软管外径 O.D.	工作压力 W.P.		爆破压力 B.P.		最小弯曲半径 MIN.B.R.	参考重量 W.T.
Dash	In.	mm	mm	MPa	psi	MPa	psi	mm	g/m
-3	3/16	4.8	13.5	150	21750	450	65250	200	450
-4	1/4	6.3	14.8	150	21750	450	65250	220	530
-5	5/16	7.9	16.4	150	21750	450	65250	250	640
-6	3/8	9.5	20.4	150	21750	450	65250	250	1000
-8	1/2	12.7	23.6	150	21750	450	65250	300	1180

 **LT 798**

200MPa超高压树脂软管

200MPa ULTRA-HIGH PRESSURE THERMOPLASTIC HOSE

软管结构

内层：尼龙

增强层：四层或六层高强超柔钢丝缠绕

外层：黑色或彩色聚氨酯

温度范围：-40°C 至 +100°C (-40°F 至 +212°F)



Hose Construction

Inner Tube: nylon

Reinforcement: four or six layers of spiraled high tensile super flexible steel wire

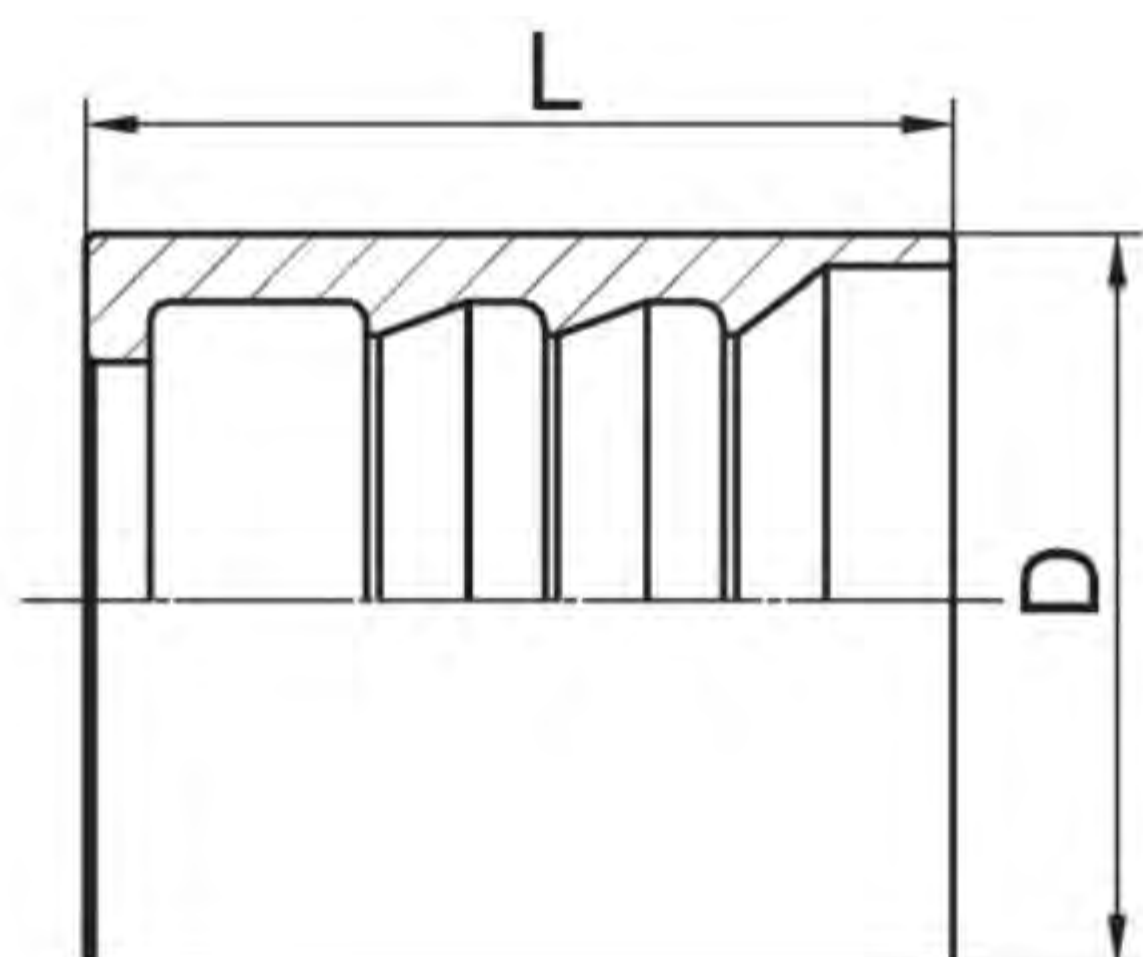
Outer Layer: black or other color polyurethane

Temperature Range: -40°C~+100°C (-40°F~+212°F)

产品应用：适用于在高压下输送水和液压油等介质，广泛应用于高压清洗等行业。

Application: suitable to transfer water, oil and other medium under high pressure, widely apply to high pressure cleaning industry.

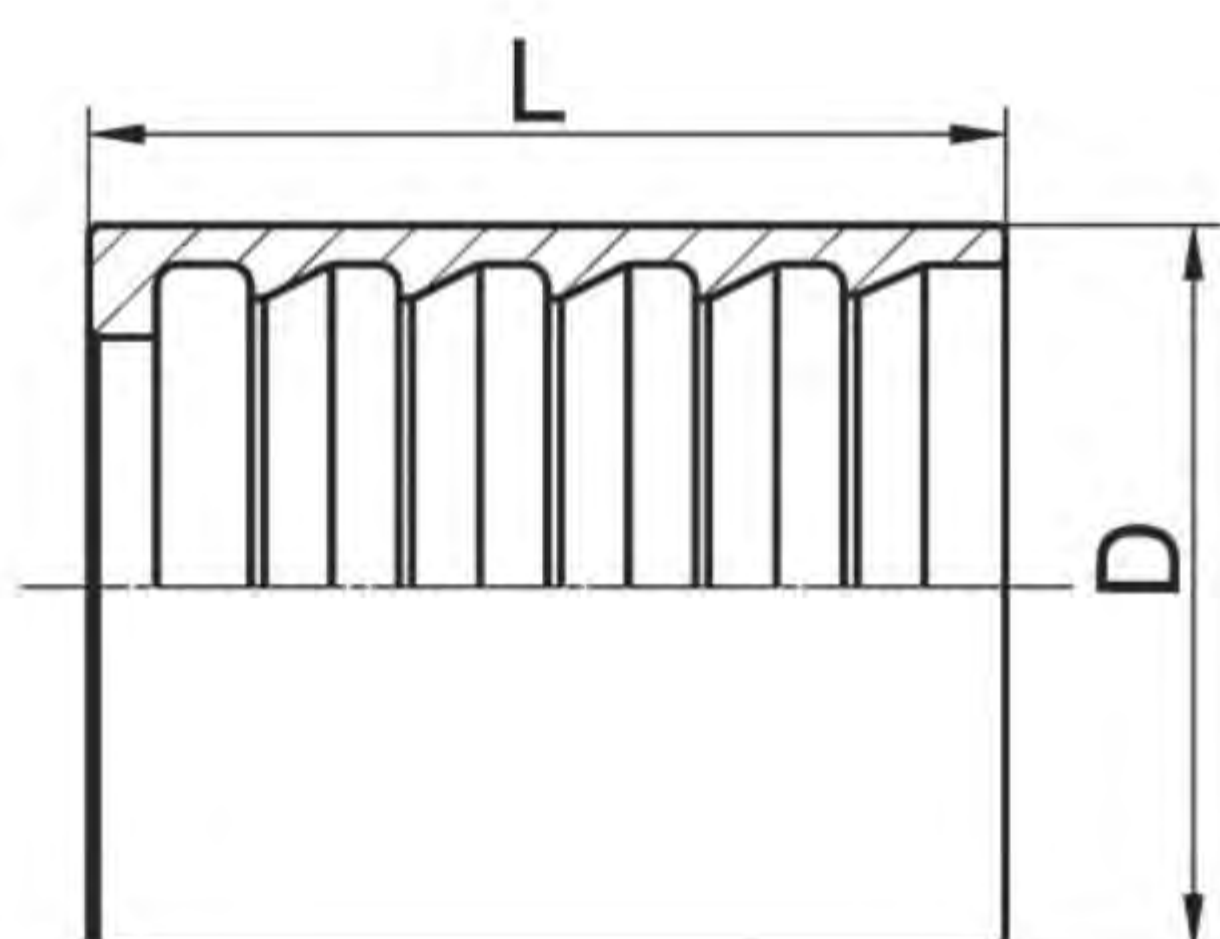
软管内径 I.D.			软管外径 O.D.	工作压力 W.P.		爆破压力 B.P.		最小弯曲半径 MIN.B.R.	参考重量 W.T.
Dash	In.	mm	mm	MPa	psi	MPa	psi	mm	g/m
-3	3/16	4.8	14.5	200	29000	600	87000	220	600
-4	1/4	6.3	16.4	200	29000	600	87000	250	800
-6	3/8	9.5	21.2	200	29000	600	87000	300	1300
-8	1/2	12.7	25	200	29000	600	87000	320	1600



00100

SAE100R1A/DIN20022 1ST 软管套筒
FERRULE FOR SAE100R1A/DIN20022 1ST HOSE

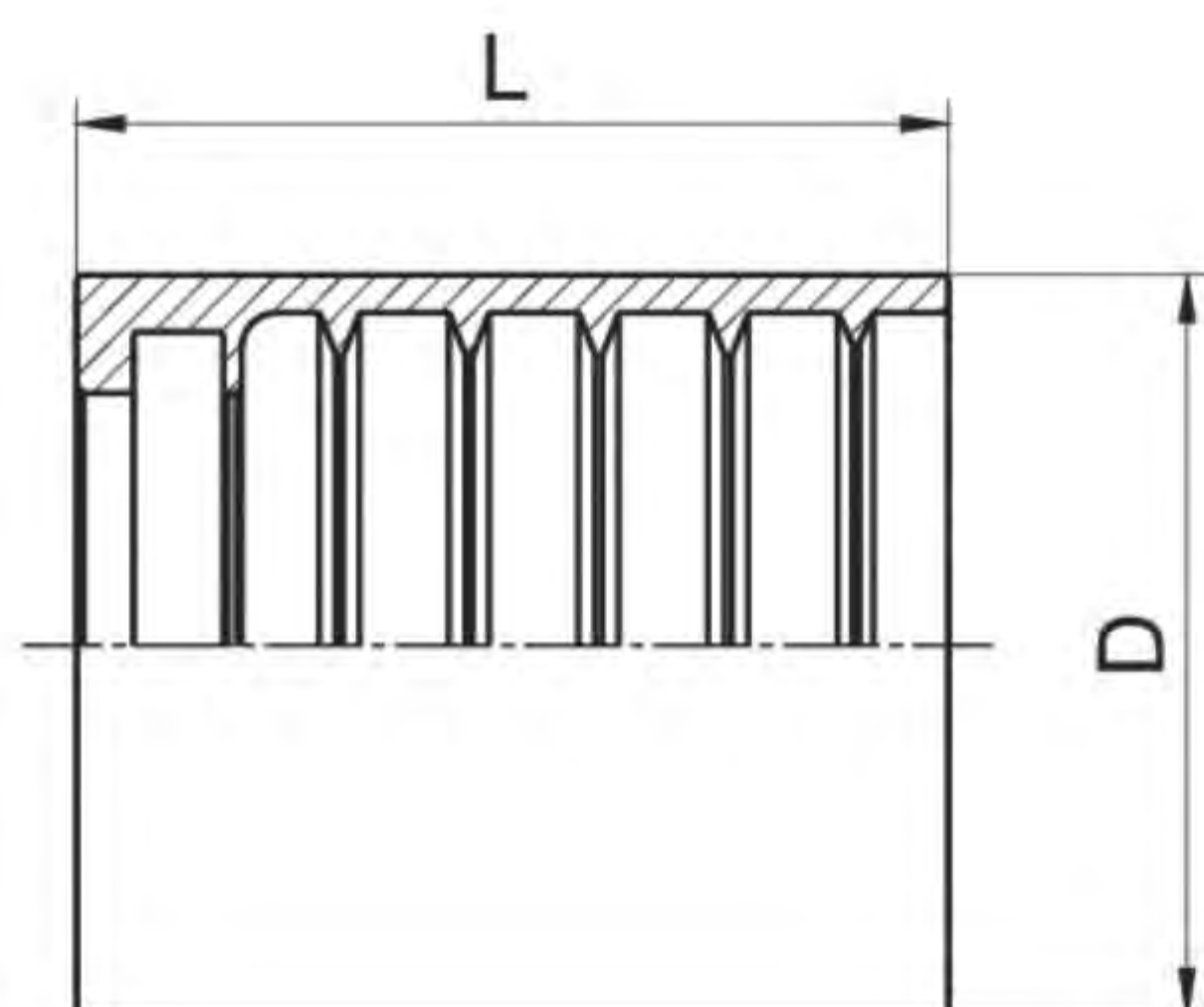
代号 PART NO.	软管 HOSE BORE		尺寸 DIMENSIONS			
	公称内径 DN	标号 DASH	D	L		
00100-03	5	03	17.5	27		
00100-04	6	04	20.6	30		
00100-05	8	05	21.5	31		
00100-06	10	06	24	32		
00100-08	12	08	28.5	34		
00100-10	16	10	32	37		
00100-12	20	12	36	43		
00100-16	25	16	43	50		
00100-20	32	20	50.5	59		
00100-24	40	24	57	74		
00100-32	50	32	70.6	78		



00110

SAE100R1AT/EN 853 1SN 软管套筒
FERRULE FOR SAE100R1AT/EN 853 1SN HOSE

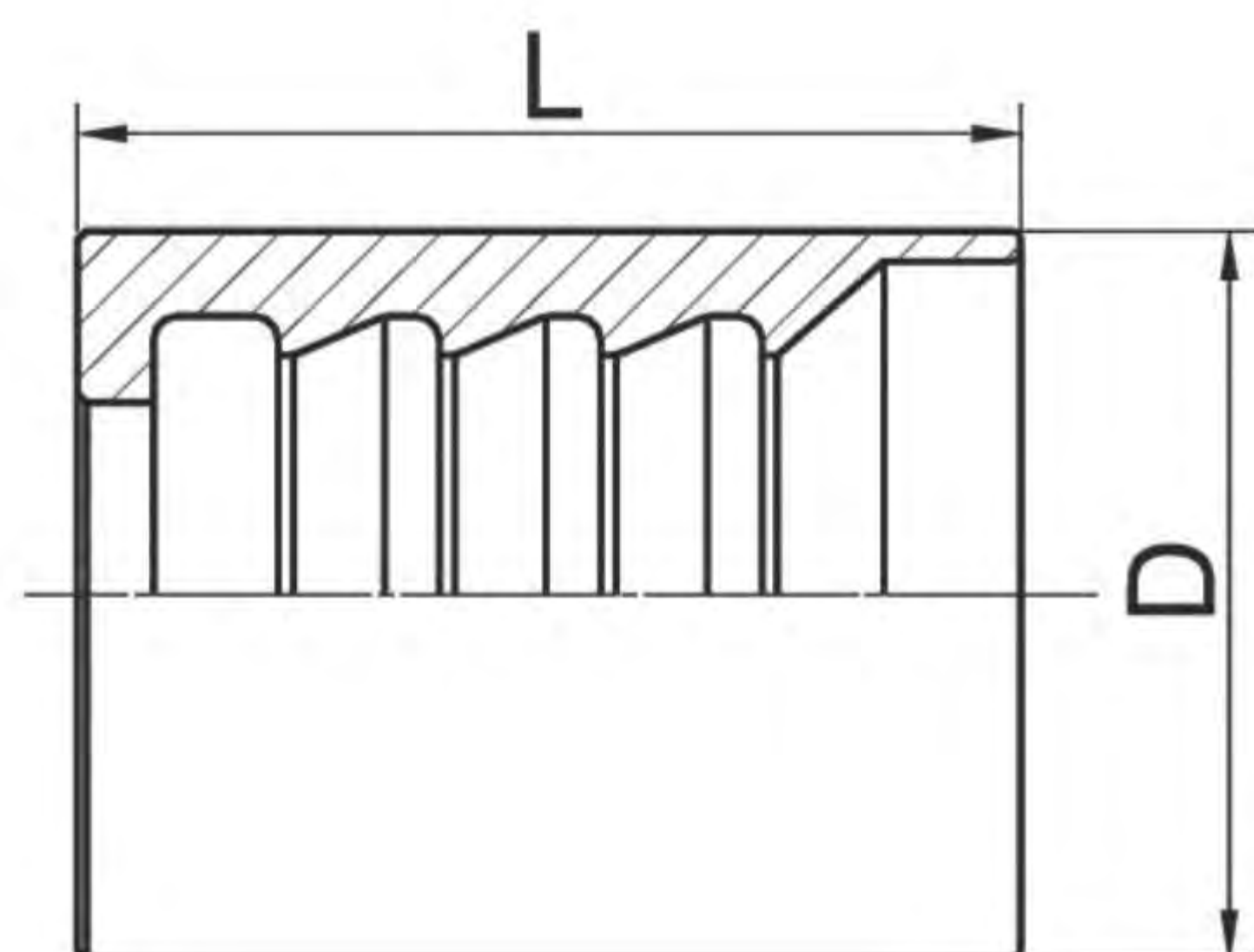
代号 PART NO.	软管 HOSE BORE		尺寸 DIMENSIONS			
	公称内径 DN	标号 DASH		L		
00110-20	32	20		59		
00110-24	40	24		74		
00110-32	50	32		78		



00110-A

SAE100R1AT/DIN20022 1SN 软管套筒
FERRULE FOR SAE100R1AT/DIN20022 1SN HOSE

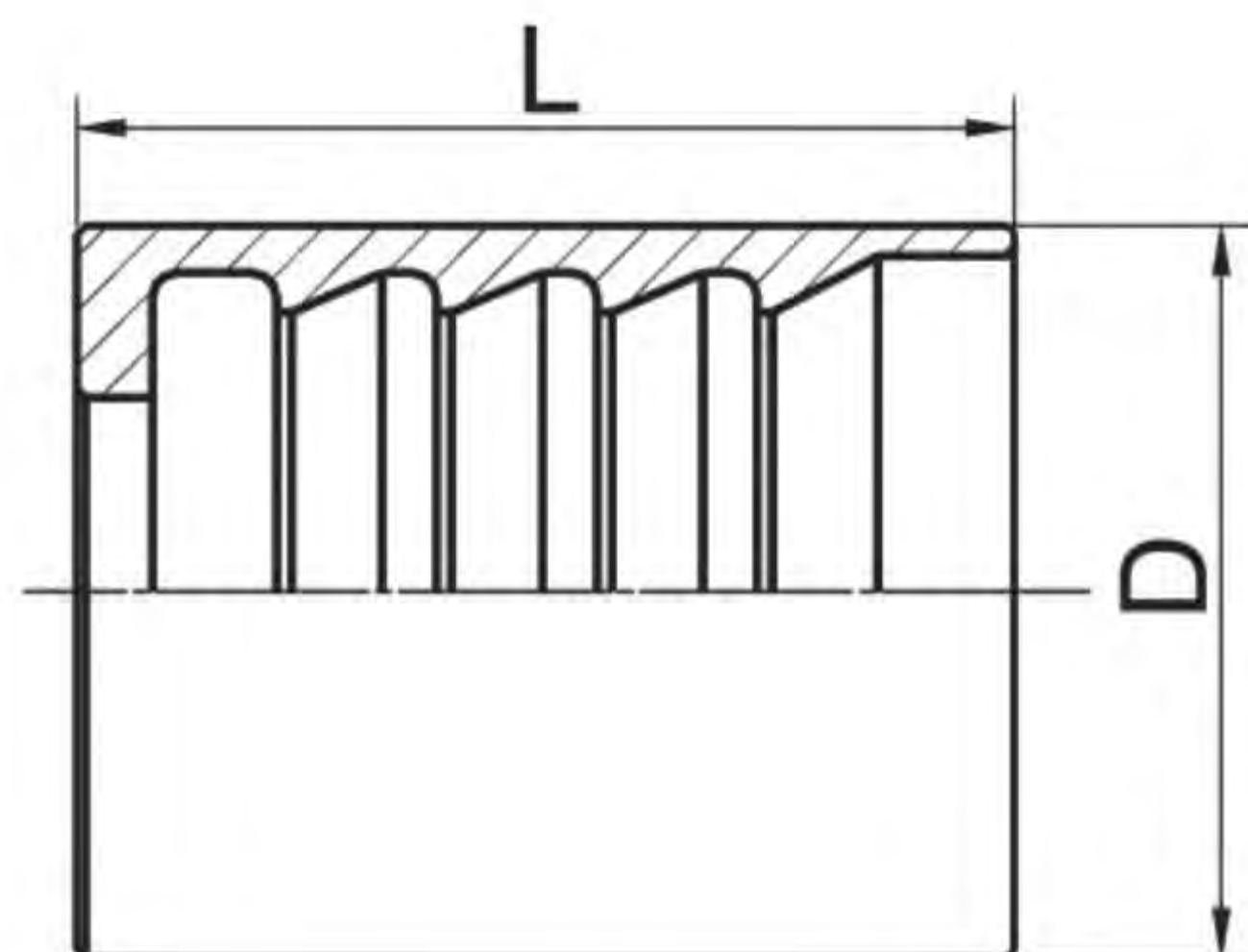
代号 PART NO.	软管 HOSE BORE		尺寸 DIMENSIONS			
	公称内径DN	标号DASH	D	L		
00110-03A	5	03	18.5	23		
00110-04A	6	04	21	30.5		
00110-05A	8	05	21.5	30		
00110-06A	10	06	24.3	32		
00110-08A	12	08	28	34		
00110-10A	16	10	31.3	37		
00110-12A	20	12	35.5	42		
00110-16A	25	16	43.5	51		



00200

SAE 100 R2AT/EN 853 2SN 软管套筒
FERRULE FOR SAE 100 R2AT/EN 853 2SN HOSE

代号 PART NO.	软管 HOSE BORE		尺寸 DIMENSIONS			
	公称内径 DN	标号 DASH		L		
00200-20	32	20		59		
00200-24	40	24		74		
00200-32	50	32		78		

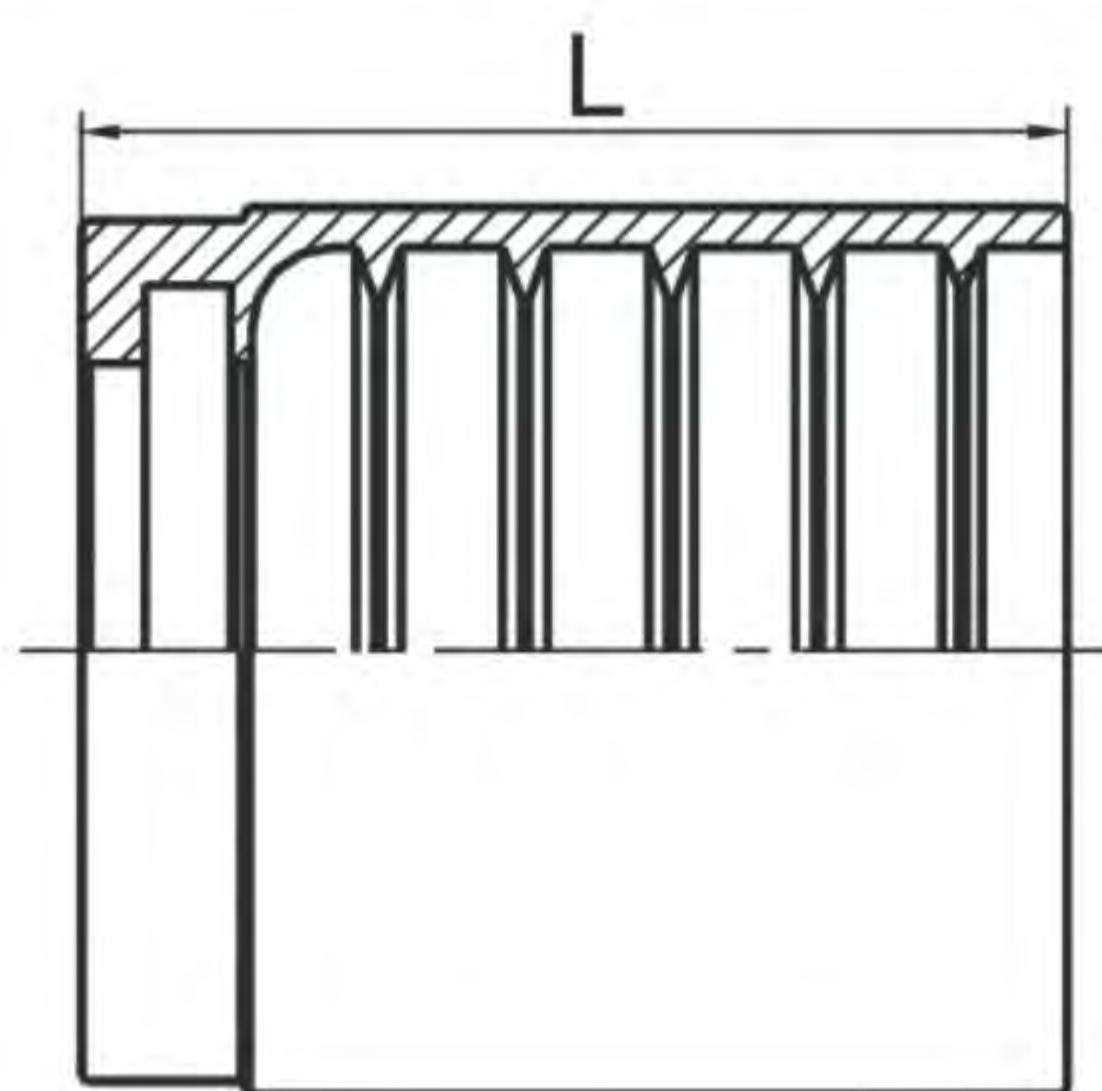


00210

SAE100R2AT/EN 853 2SN 软管套筒
FERRULE FOR SAE100R2AT/EN 853 2SN HOSE

代号 PART NO.	软管 HOSE BORE		尺寸 DIMENSIONS			
	公称内径 DN	标号 DASH			L	
00210-03	5	03			27	
00210-04	6	04			30	
00210-05	8	05			31	
00210-06	10	06			32	
00210-08	12	08			34	
00210-10	16	10			37	
00210-12	20	12			43	
00210-16	25	16			50	
00210-20	32	20			59	
00210-24	40	24			74	
00210-32	50	32			78	

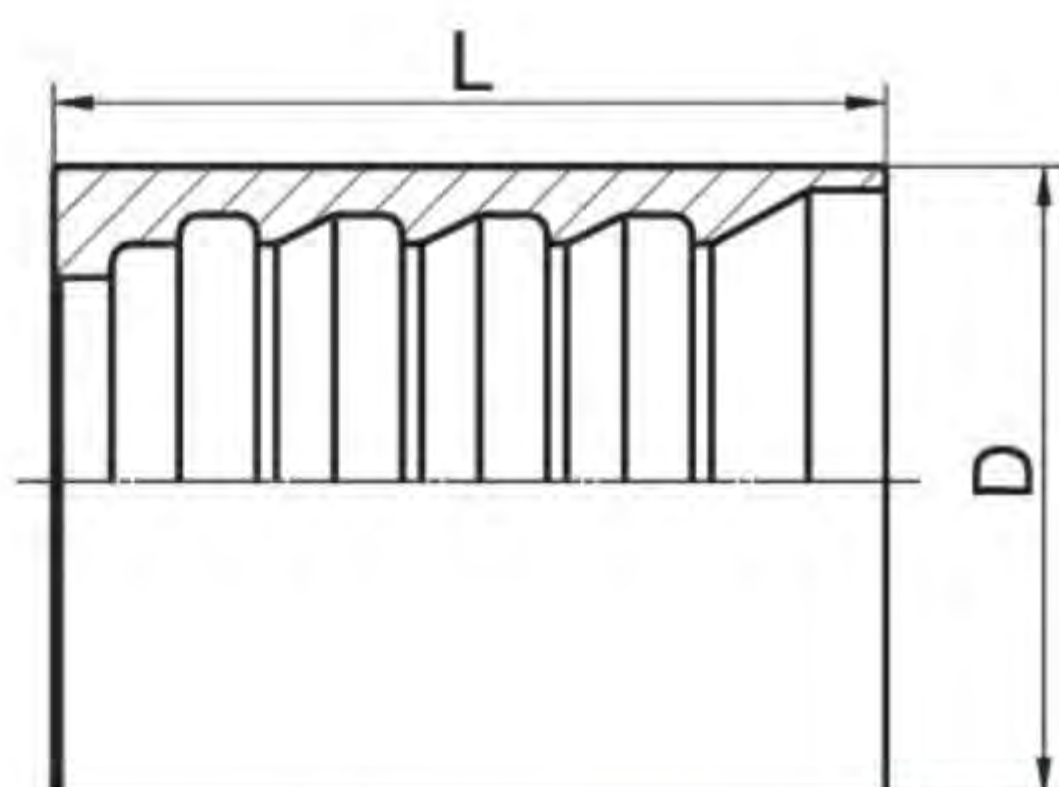
注：不推荐用于工程机械。



03310

SAE 100 R2AT/EN 853 2SN 软管套筒
FERRULE FOR SAE 100 R2AT/EN 853 2SN HOSE

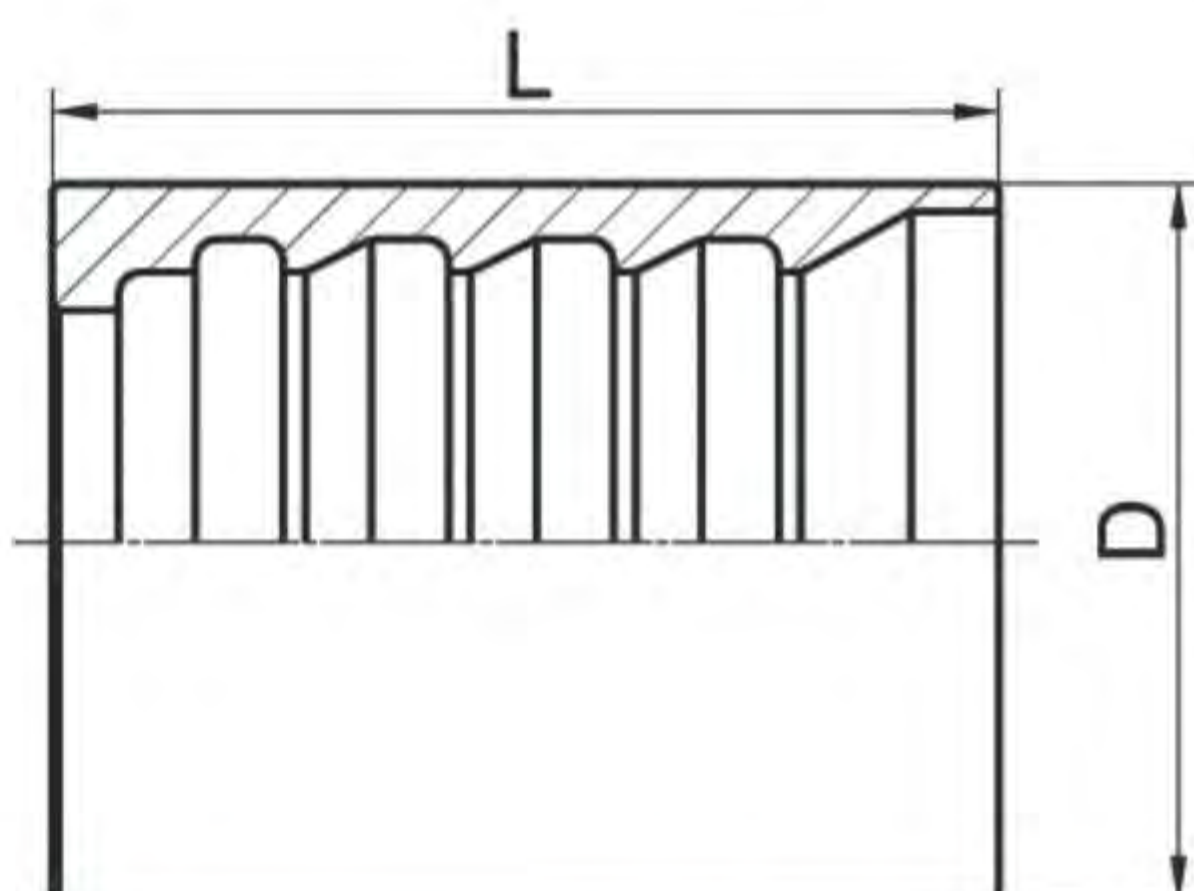
代号 PART NO.	软管 HOSE BORE		尺寸 DIMENSIONS			
	公称内径 DN	标号 DASH			L	
03310-03	5	03			23	
03310-04	6	04			30.5	
03310-05	8	05			30	
03310-06	10	06			32	
03310-08	12	08			34	
03310-10	16	10			37	
03310-12	19	12			42	
03310-16	25	16			51	



00400

4SP、4SH/12-16、R12/06-16 软管套筒
FERRULE FOR 4SP、4SH/12-16、R12/06-16 HOSE

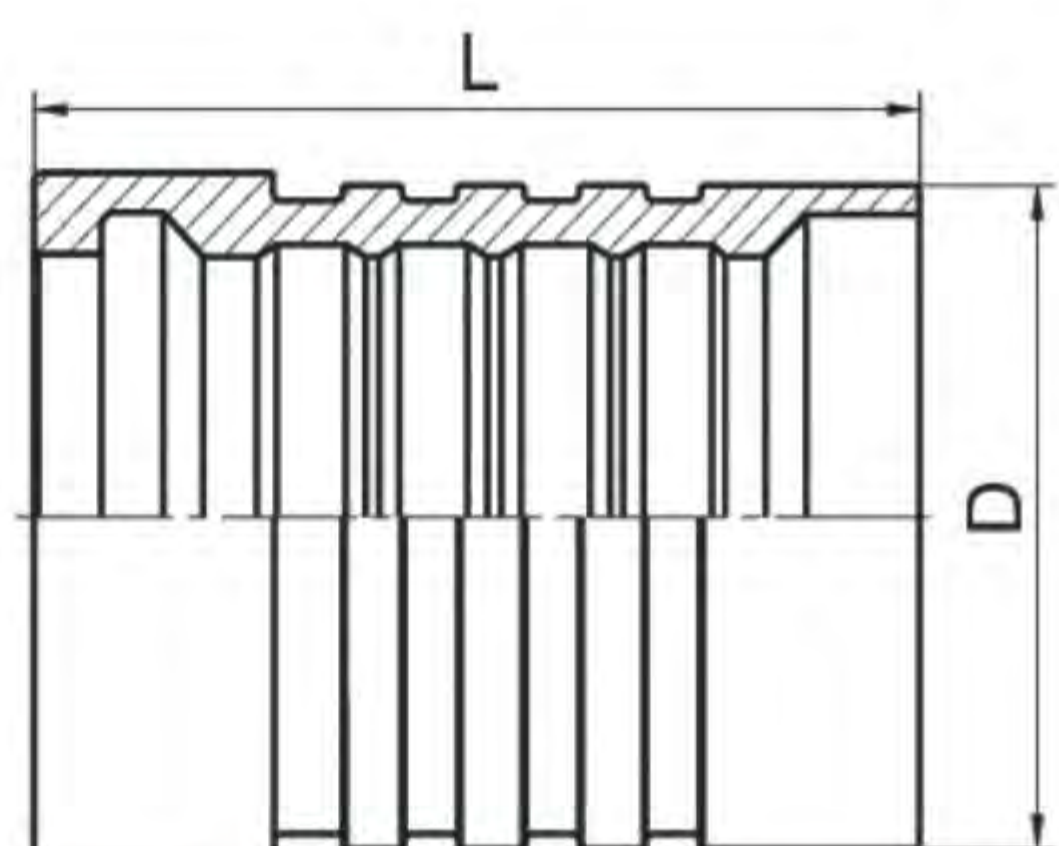
代号 PART NO.	软管 HOSE BORE		尺寸 DIMENSIONS		
	公称内径DN	标号DASH		L	
00400-04	6	04		37.5	
00400-06	10	06		39	
00400-08	12	08		41	
00400-10	16	10		43	
00400-12	20	12		51	
00400-16	25	16		61.5	
00400-20	32	20		67.5	
00400-24	40	24		75	
00400-32	50	32		79	



00401

4SH、R12/32 软管套筒
FERRULE FOR 4SH、R12/32 HOSE

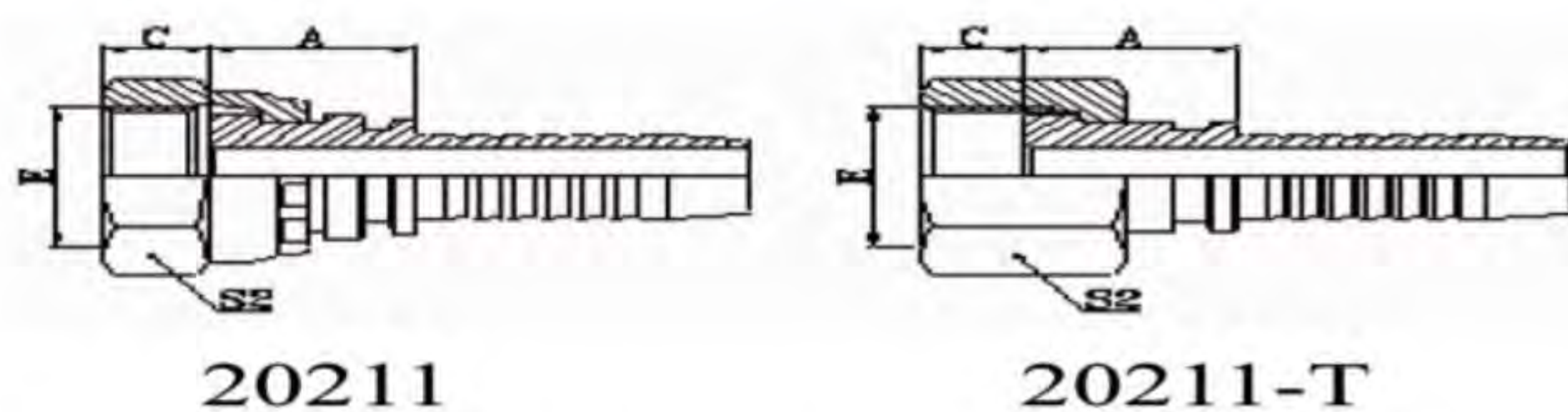
代号 PART NO.	软管 HOSE BORE		尺寸 DIMENSIONS		
	公称内径DN	标号 DASH		L	
00401-20	32	20		67.5	
00401-24	40	24		75	
00401-32	50	32		79	



00621

GB/T 10544 R13 / SAE 100 R13 / EN 856 R13 软管剥内外胶套筒
INTERLOCK FERRULE FOR GB/T 10544
R13 / SAE 100 R13 / EN 856 R13 HOSE

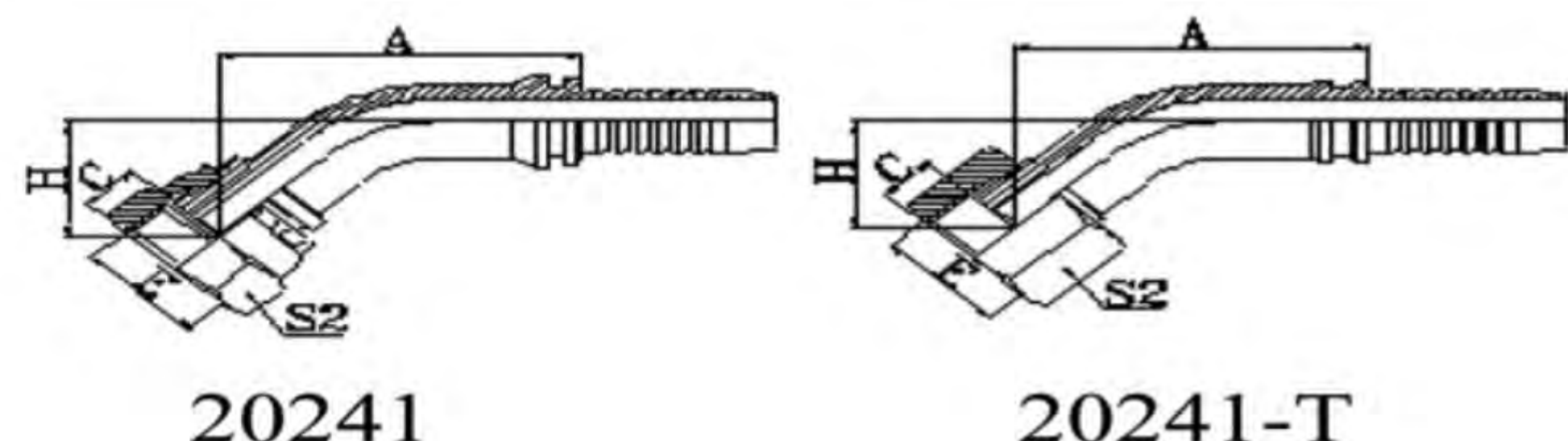
代号 PART NO.	软管 HOSE BORE		尺寸 DIMENSIONS		
	公称内径DN	标号 DASH	D	L	
00621-12	20	12	40	53	
00621-16	25	15	49	66	
00621-20	32	20	60	88.5	
00621-24	40	24	69.4	102	
00621-32	50	32	86.5	108	



国标公制内螺纹平面
METRIC FEMALE FLAT SEAT

代 号	螺 纹 E	软 管		尺 寸		
		公称内径	标 号	A	C	S2
20211-10-02	M10X1	4	02	14	6	14
20211-12-03	M12X1.25	5	03	14	8	17
20211-14-04	M14X1.5	6	04	16	8.5	19
20211-14-05	M14X1.5	8	05	15.5	8.5	19
20211-16-04	M16X1.5	6	04	16.5	8	22
20211-16-05	M16X1.5	8	05	17	8	22
20211-16-06	M16X1.5	10	06	16.5	8	22
20211-18-05T	M18X1.5	8	05	17.5	8	24
20211-18-06	M20X1.5	10	06	18.5	8	24
20211-20-06T	M20X1.5	10	06	16	10	24
20211-20-08	M20X1.5	12	08	18.5	10	27
20211-22-06T	M22X1.5	10	06	16	10	27
20211-22-08	M22X1.5	12	08	19.5	10	27
20211-22-10	M22X1.5	16	10	19.5	10	27
20211-24-08T	M24X1.5	12	08	16.5	11	30
20211-24-10	M24X1.5	16	10	20.5	10.5	30
20211-27-08T	M27X1.5	12	08	18.5	10	32
20211-27-10T	M27X1.5	16	10	21	10	32
20211-30-12	M30X1.5	20	12	22	11	36
20211-33-14	M33X2	22	14	21.5	13	41
20211-36-12T	M36X2	20	12	24	13	41
20211-36-14T	M36X2	22	14	24	13	41
20211-39-16T	M39X2	25	16	25	13	46
20211-42-20W	M42X2	32	20	25	15	50
20211-45-20T	M45X2	32	20	27	15	55
20211-52-24T	M52X2	40	24	27	17	60
20211-60-28T	M60X2	45	28	26	20	70
20211-64-32T	M64X2	50	32	26	23	75

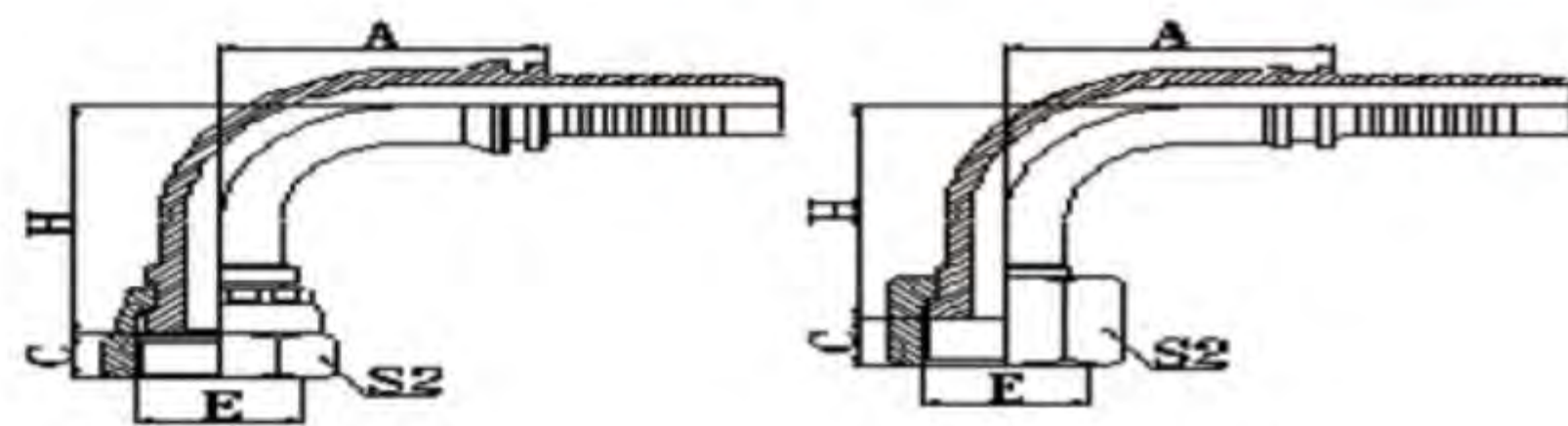
注: 1.上述代号用于编织软管。 2. 如需用于缠绕软管代号改为 20212-xx-xx。
NOTE : 1. FOR USE WITH BRAIDED HOSES 2. IF USE WITH SPIRAL HOSES , HOSE FITTINGS SERIES NUMBER IS 20212-XX-XX.



45°公制内螺纹平面
45° METRIC FEMALE FLAT SEAT

代 号	螺 纹 E	软 管		尺 寸			
		公称内径	标 号	A	C	H	S2
20241-14-04	M14X1.5	6	04	38	8.5	19	19
20241-14-05	M14X1.5	8	05	42.7	8.5	19.3	19
20241-16-05	M16X1.5	8	05	42.3	8.5	20.7	22
20241-18-06	M18X1.5	10	06	45.5	8	22	24
20241-22-08	M22X1.5	12	08	57.5	10	24.5	27
20241-27-10T	M27X1.5	16	10	58	10	24.5	32
20241-30-12T	M30X1.5	20	12	74	11	30	36
20241-36-12T	M36X2	20	12	75	13	27.5	41
20241-36-14T	M36X2	22	14	77.3	13	27	41
20241-36-16	M36X2	25	16	85.7	13	31.5	41
20241-39-16T	M39X2	25	16	82	13	30	46
20241-42-20W	M42X2	32	20	95.9	15	35.2	50
20241-45-20T	M45X2	32	20	94.5	15	35.5	55
20241-52-20T	M52X2	32	20	94.5	17	33.8	60
20241-52-24T	M52X2	40	24	105	17	38.5	60
20241-60-28T	M60X2	45	28	118.7	20	43.6	70
20241-62-32T	M64X2	50	32	127.8	23	45.6	75

注: 1.上述代号用于编织软管。 2. 如需用于缠绕软管代号改为 20242-xx-xx。
NOTE : 1. FOR USE WITH BRAIDED HOSES 2. IF USE WITH SPIRAL HOSES , HOSE FITTINGS SERIES NUMBER IS 20242-XX-XX.



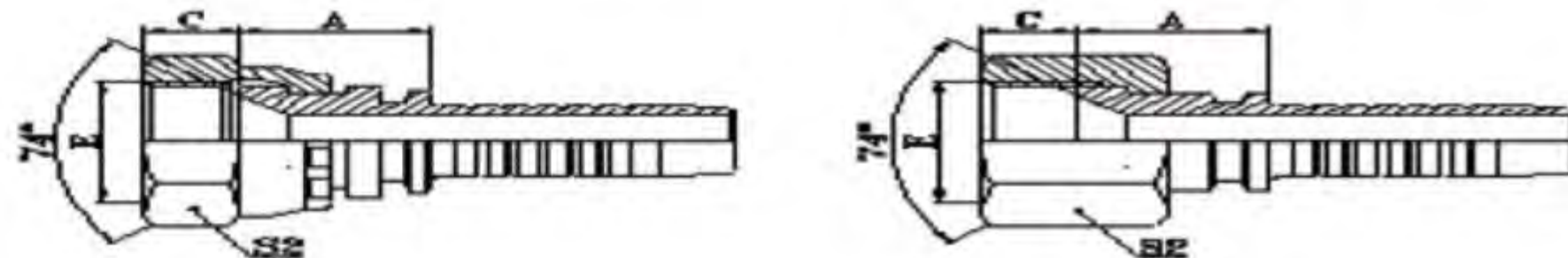
90°公制内螺纹平面
90° METRIC FEMALE FLAT SEAT

20291

20291-T

代 号	螺 纹 E	软 管		尺 寸			
		公称内径	标 号	A	C	H	S2
20291-12-02	M12X1.25	4	02	26.5	8	30.5	17
20291-12-04	M12X1.25	6	04	30	8	33.5	17
20291-14-04	M14X1.5	6	04	27.5	8.5	34	19
20291-14-05	M14X1.5	8	05	33	8.5	37	19
20291-16-04	M16X1.5	6	04	30	8	35	22
20291-16-05	M16X1.5	8	05	31	8	39.5	22
20291-16-06	M16X1.5	10	06	35.3	8	40.3	22
20291-18-05T	M18X1.5	8	05	33	8	39	24
20291-18-06	M18X1.5	10	06	33	8	42	24
20291-22-08	M22X1.5	12	08	42.5	10	49.5	27
20291-22-10	M22X1.5	16	10	57.5	10	53	27
20291-24-08T	M24X1.5	12	08	41	11	45.5	30
20291-27-04T	M27X1.5	6	04	30	10	35.5	32
20291-27-08T	M27X1.5	12	08	41	10	46	32
20291-27-10T	M27X1.5	16	10	48.5	10	51.5	32
20291-30-12	M30X1.5	20	12	50.5	11	63.5	36
20291-33-14	M33X2	22	14	71.2	13	65	41
20291-36-14T	M36X2	22	14	57.5	13	64	41
20291-36-16	M36X2	25	16	66	13	76.5	41
20291-39-16T	M39X2	25	16	66	13	72.5	46
20291-42-20W	M42X2	32	20	91.5	15	80.5	50
20291-45-20T	M45X2	32	20	75	15	85	55
20291-52-20T	M52X2	32	20	91.5	17	78.5	60
20291-52-24T	M52X2	40	24	89	17	97	60
20291-60-28T	M60X2	45	28	119.9	20	106.5	70
20291-64-32T	M64X2	50	32	130.95	23	113.3	75

注: 1.上述代号用于编织软管。 2. 如需用于缠绕软管代号改为 20292-xx-xx。
NOTE : 1. FOR USE WITH BRAIDED HOSES 2. IF USE WITH SPIRAL HOSES , HOSE FITTINGS SERIES NUMBER IS 20292-XX-XX.



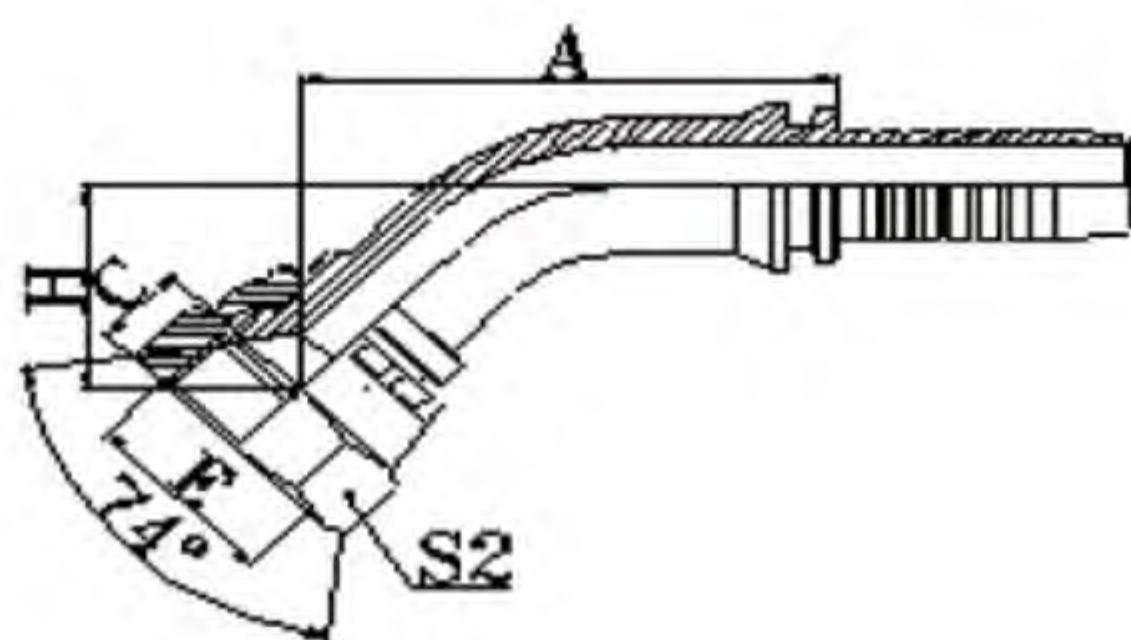
国际公制内螺纹 74° 内锥
METRIC FEMALE 74° CONE SEAT

20711

20711-T

代 号	螺 纹 E	软 管		尺 寸			
		公称内径	标 号	A	C	S2	
20711-10-02	M10X1	4	02	14	7.5	14	
20711-12-03C	M12X1.25	5	03	14	9	17	
20711-12-03	M12X1.5	5	03	14	10	17	
20711-12-04	M12X1.5	6	04	15	10	17	
20711-14-04	M14X1.5	6	04	16	8.5	19	
20711-14-05	M14X1.5	8	05	15.5	8.5	19	
20711-14-06	M14X1.5	10	06	15.5	8.5	19	
20711-16-04	M16X1.5	6	04	16.5	8	22	
20711-16-05	M16X1.5	8	05	17	8	22	
20711-16-06	M16X1.5	10	06	16	8	22	
20711-18-05T	M18X1.5	8	05	16	8	22	
20711-18-06	M18X1.5	10	06	18.5	10	24	
20711-20-06T	M20X1.5	10	06	16	10	24	
20711-20-08	M20X1.5	12	08	18.5	10	27	
20711-22-06T	M22X1.5	10	06	16	10	27	
20711-22-08	M22X1.5	12	08	19.5	10	27	
20711-22-10	M22X1.5	16	10	19	10	27	
20711-24-08T	M24X1.5	12	08	16.5	11	30	
20711-27-08T	M27X1.5	12	08	18.5	11	32	
20711-27-10T	M27X1.5	16	10	21	11	32	
20711-27-12	M27X1.5	20	12	21.5	11	32	
20711-30-10T	M30X1.5	16	10	18	11	36	
20711-30-12	M30X1.5	20	12	22	11	36	
20711-33-10T	M33X2	16	10	19.5	13	41	
20711-33-12T	M33X2	20	12	20	13	41	
20711-33-14	M33X2	22	14	21.5	13	41	
20711-36-12T	M36X2	20	12	20	14	41	
20711-36-14T	M36X2	22	14	24	14	41	
20711-36-16	M36X2	25	16	23	14	41	
20711-39-16T	M39X2	25	16	25	14	46	
20711-42-16T	M42X2	25	16	23.5	15	50	
20711-42-20W	M42X2	32	20	24.5	15	50	
20711-45-20T	M45X2	32	20	27	15	55	
20711-52-24T	M52X2	40	24	27	17	60	

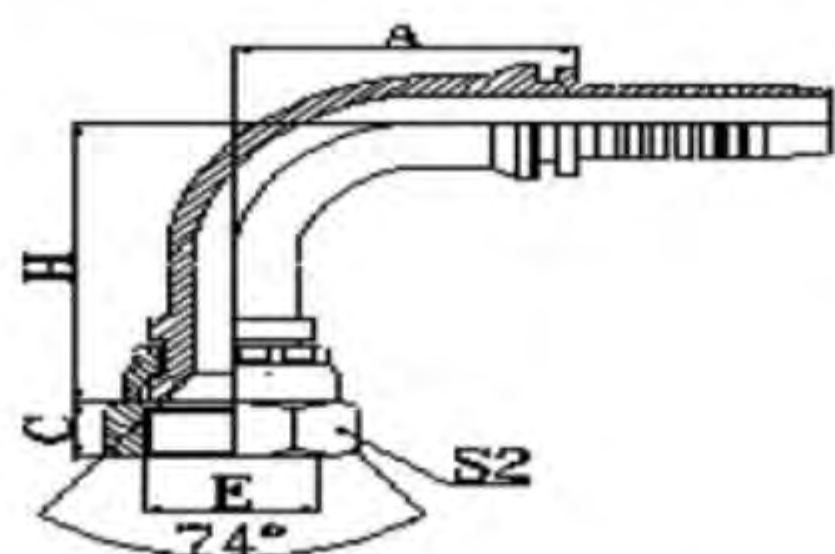
注: 1.上述代号用于编织软管。 2. 如需用于缠绕软管代号改为 20712-xx-xx。
NOTE : 1. FOR USE WITH BRAIDED HOSES 2. IF USE WITH SPIRAL HOSES , HOSE FITTINGS SERIES NUMBER IS 20712-XX-XX.



20741
45° 国际公制内螺纹 74° 内锥面
45°METRIC FEMALE 74°CONE SEAT

代 号	螺纹 E	软 管		尺 寸			
		公称内径	标 号	A	C	H	S2
20741-14-04	M14X1.5	6	04	38	8.5	19	19
20741-16-05	M16X1.5	8	05	42.3	8	20.7	22
20741-18-06	M18X1.5	10	06	45.5	10	22	24
20741-22-08	M22X1.5	12	08	57.5	10	24.5	27
20741-27-10	M27X1.5	16	10	60	11	26.5	32
20741-30-12	M30X1.5	20	12	74	11	30	36
20741-33-12	M33X2	20	12	77.4	13	30	41
20741-33-16	M33X2	25	16	85	13	30.8	41
20741-36-14	M36X2	22	14	79.8	14	29.6	4
20741-36-16	M36X2	25	16	85.7	14	31.5	41
20741-39-16	M39X2	25	16	85	14	33	46
20741-45-20W	M45X2	32	20	97	15	36.2	55
20741-52-24W	M52X2	40	24	115.3	17	40.9	60

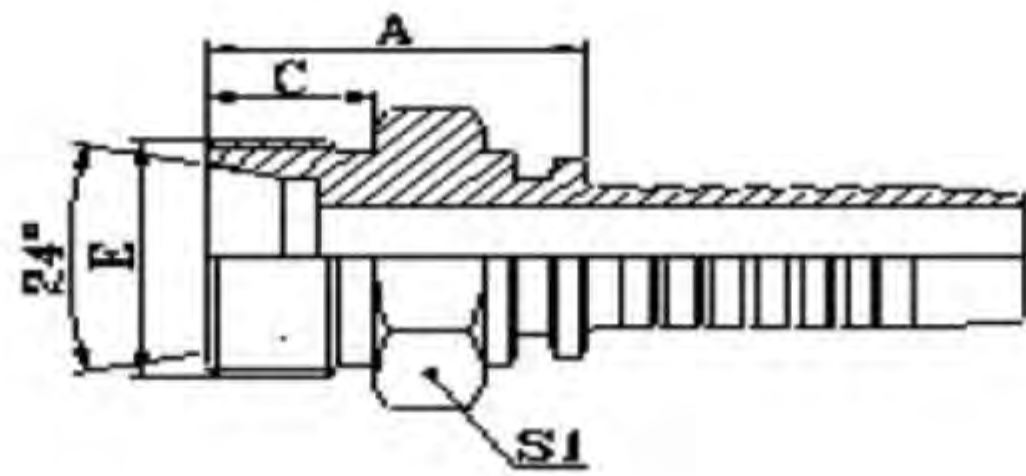
注: 1.上述代号用于编织软管。 2. 如需用于缠绕软管代号改为 20742-xx-xx。
NOTE : 1. FOR USE WITH BRAIDED HOSES 2. IF USE WITH SPIRAL HOSES , HOSE FITTINGS SERIES NUMBER IS 20742-XX-XX.



20791
90° 国际公制内螺纹 74° 内锥面
90°METRIC FEMALE 74°CONE SEAT

代 号	螺纹 E	软 管		尺 寸			
		公称内径	标 号	A	C	H	S2
20791-12-04C	M12X1.25	6	04	30	9	33.5	17
20791-12-04	M12X1.5	6	04	30	10	33.5	17
20791-14-04	M14X1.5	6	04	27.5	8.5	34	19
20791-16-04	M16X1.5	6	04	30	8	35	22
20791-16-05	M16X1.5	8	05	31	8	39.5	22
20791-18-06	M18X1.5	10	06	33	10	42	24
20791-22-08	M22X1.5	12	08	42.5	10	49.5	27
20791-22-10	M22X1.5	16	10	56	10	52.5	27
20791-27-10	M27X1.5	16	10	48.5	11	54.5	32
20791-30-12	M30X1.5	20	12	50.5	11	63.5	36
20791-33-12	M33X2	20	12	65.5	13	63.5	41
20791-33-16	M33X2	25	16	66	13	75.5	41
20791-36-12	M36X2	20	12	65.5	124	63.5	41
20791-36-14	M36X2	22	14	71.2	14	64.5	41
20791-39-16	M39X2	25	16	66	14	76.5	46
20791-45-20W	M45X2	32	20	91.5	15	83	55
20791-52-20W	M52X2	32	20	93	17	84.5	60
20791-52-24W	M52X1.5	40	24	110.7	17	96.5	60

注: 1.上述代号用于编织软管。 2. 如需用于缠绕软管代号改为 20792-xx-xx。
NOTE : 1. FOR USE WITH BRAIDED HOSES 2. IF USE WITH SPIRAL HOSES , HOSE FITTINGS SERIES NUMBER IS 20792-XX-XX.



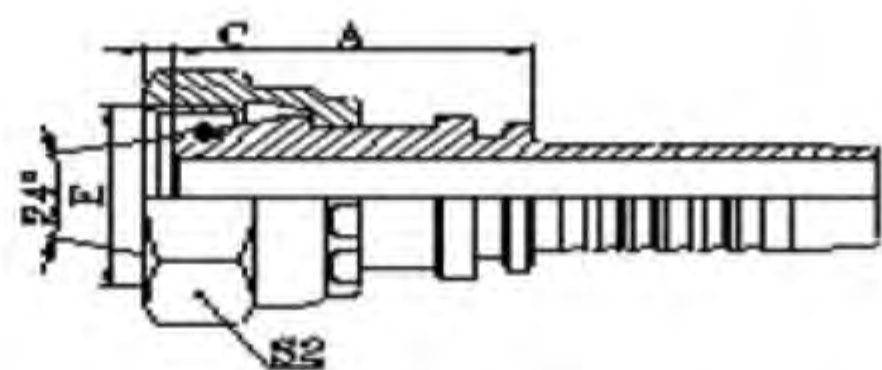
10411

公制外螺纹 24°内锥面轻系列
ISO 8434-1-DIN 3861
METRIC MALE 24° CONE SEAT L.T.

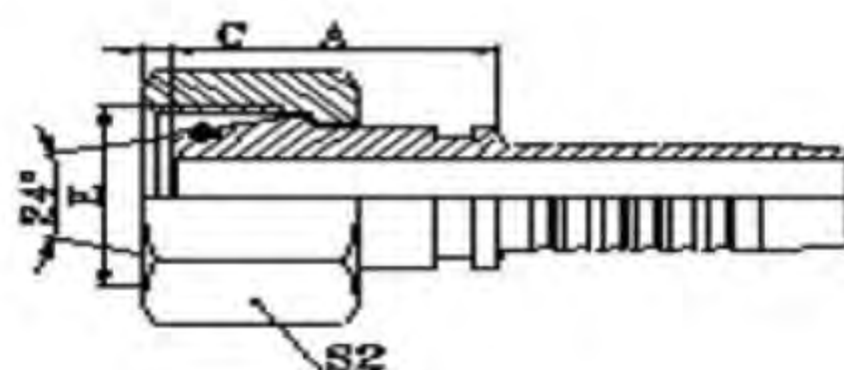
代 号	螺 纹 E	软 管		管子外径	尺 寸		
		公称内径	标 号		A	C	S2
10411-12-04	M12X1.5	6	04	6	22	10	12
10411-14-04	M14X1.5	6	04	8	22	10	14
10411-14-05	M14X1.5	8	05	8	22	10	14
10411-16-04	M16X1.5	6	04	10	23.5	11	17
10411-16-05	M16X1.5	8	05	10	23.5	11	17
10411-16-06	M16X1.5	10	06	10	23.5	11	17
10411-18-05	M18X1.5	8	05	12	24	11	19
10411-18-06	M18X1.5	10	06	12	24	11	19
10411-22-06	M22X1.5	10	06	15	26.5	12	24
10411-22-08	M22X1.5	12	08	15	27	12	24
10411-26-08	M26X1.5	12	08	18	28.5	12	27
10411-26-10	M26X1.5	16	10	18	29.5	12	27
10411-27-10	M27X1.5	16	10	18	32.5	14	30
10411-30-10	M30X2	16	10	22	33.5	14	32
10411-30-12	M30X2	20	12	22	33.5	14	32
10411-36-16	M36X2	25	16	28	36	14	38
10411-45-20	M45X2	32	20	35	40	16	46
10411-52-24	M52X2	40	24	42	43	16	55

注: 1. 上述代号用于编织软管。 2. 如需用于缠绕软管代号改为 10412-xx-xx。

NOTE : 1. FOR USE WITH BRAIDED HOSES 2. IF USE WITH SPIRAL HOSES , HOSE FITTINGS SERIES NUMBER IS 10412-XX-XX.



20411



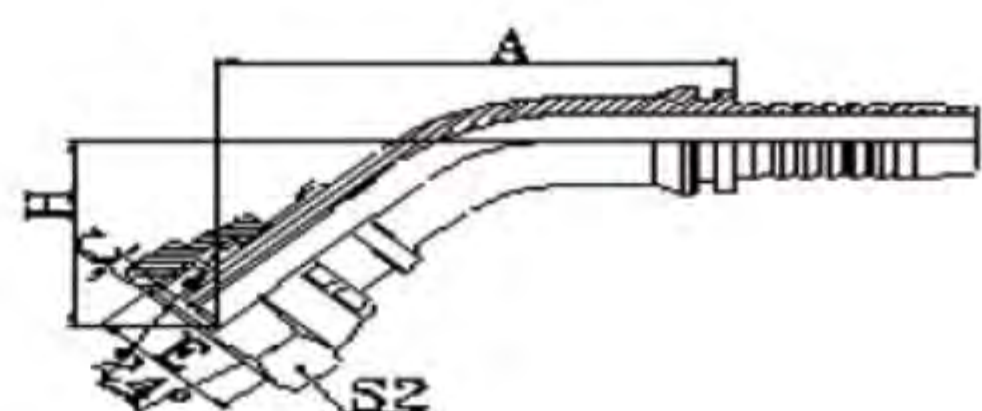
20411-T

公制内螺纹 24°锥带 O 形圈轻系列
ISO 2151-2-DIN 3865
METRIC FEMALE 24° CONE O-RING L.T.

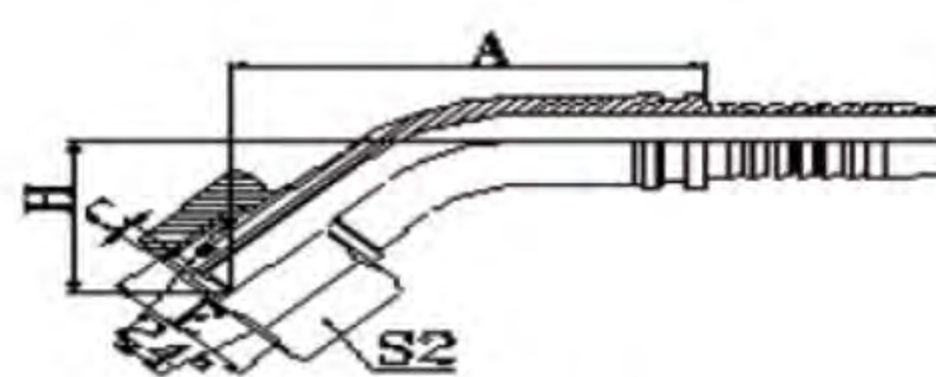
代 号	螺 纹 E	软 管		管子外径	O 形圈	尺 寸		
		公称内径	标 号			A	C	S2
20411-12-04	M12X1.5	6	04	6	O04.5X1.5	25	1	17
20411-14-04	M14X1.5	6	04	8	O06.5X1.5	26.5	2	19
20411-14-06	M14X1.5	10	06	8	O06.5X1.5	27.5	2	19
20411-16-04	M16X1.5	6	04	10	O08.0X1.5	27	2	22
20411-16-05	M16X1.5	8	05	10	O08.0X1.5	27	2	22
20411-16-06	M16X1.5	10	06	10	O08.0X1.5	28	2	22
20411-18-05T	M18X1.5	8	05	12	O10.0X1.5	25.5	1.5	22
20411-18-06	M18X1.5	10	06	12	O10.0X1.5	29	2.5	24
20411-18-08	M18X1.5	12	08	12	O10.0X1.5	29.5	2.5	24
20411-22-05T	M22X1.5	8	05	15	O12.0X2	26.5	3	27
20411-22-06T	M22X1.5	10	06	15	O12.0X2	28.5	3	27
20411-22-08	M22X1.5	12	08	15	O12.0X2	32.5	2.5	27
20411-26-10	M26X1.5	16	10	18	O15.0X2	34.5	2.5	32
20411-26-12	M26X1.5	20	12	18	O15.0X2	34.5	2.5	32
20411-30-10T	M30X2	16	10	22	O20.0X2	33	3.8	36
20411-30-12	M30X2	20	12	22	O20.0X2	36.5	4	36
20411-36-12T	M36X2	20	12	28	O26.0X2	36	4.5	46
20411-36-14T	M36X2	22	14	28	O26.0X2	36.5	4.5	46
20411-45-16T	M45X2	25	16	35	O32.0X2	42	4	55
20411-45-20T	M45X2	32	20	35	O32.0X2	43	4	55
20411-52-20T	M52X2	32	20	42	O38.0X2	44.5	4	60
20411-52-24T	M52X2	40	24	42	O38.0X2	44.5	4	60

注: 1. 上述代号用于编织软管。 2. 如需用于缠绕软管代号改为 20412-xx-xx。

NOTE : 1. FOR USE WITH BRAIDED HOSES 2. IF USE WITH SPIRAL HOSES , HOSE FITTINGS SERIES NUMBER IS 20412-XX-XX.



20441



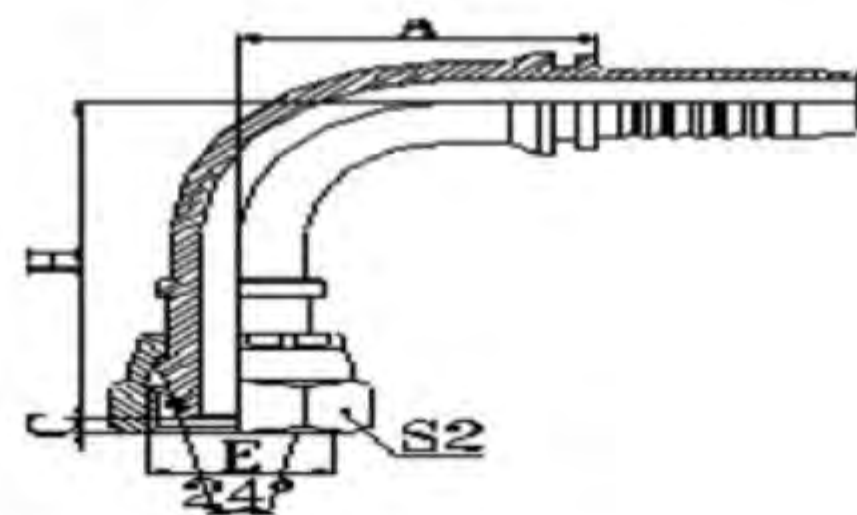
20441-T

45°公制内螺纹 24°锥带 O 形圈轻系列
ISO 12151-2-DIN 3865
45° METRIC FEMALE 24° CONE L.T.

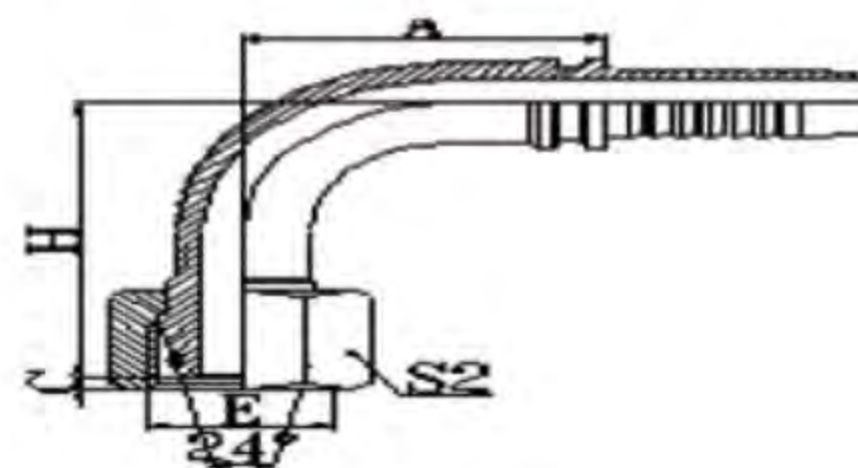
代号	螺纹 E	软管		管子外径	O 形圈	尺寸			
		公称内径	标号			A	C	H	S2
20441-12-04	M14X1.5	6	04	8	O06.5X1.5	45	2	26	19
20441-16-05	M16X1.5	8	05	10	O08.0X1.5	49.5	2	27.8	22
20441-16-06	M16X1.5	10	06	10	O08.0X1.5	51.3	2	27.8	22
20441-18-05T	M18X1.5	8	05	12	O10.0X1.5	44.7	1.5	23.2	22
20441-18-06	M18X1.5	10	06	12	O10.0X1.5	53	2.5	29	24
20441-22-05T	M22X1.5	8	05	15	O12.0X2		3		27
20441-22-06T	M22X1.5	10	06	15	O12.0X2	49	3	25.3	27
20441-22-08	M22X1.5	12	08	15	O12.0X2	66.5	2.5	34	27
20441-26-08T	M26X1.5	12	08	18	O15.0X2	61	2.1	28	32
20441-26-10	M26X1.5	16	10	18	O15.0X2	70	2.5	36	32
20441-26-12	M26X1.5	20	12	18	O15.0X2		2.5		32
20441-30-10T	M30X1.5	16	10	22	O20.0X2	64	3.8	30	36
20441-30-12	M30X1.5	20	12	22	O20.0X2	84.5	4	40.5	36
20441-36-12T	M36X1.5	20	12	28	O28.0X2	79.3	4.5	35.5	46
20441-36-14T	M36X2	22	14	28	O28.0X2		4.5		46
20441-45-20T	M45X2	32	20	35	O35.0X2	101.8	4	42.4	55
20441-52-20T	M52X2	32	20	42	O42.0X2		4	46.6	60
20441-52-24T	M52X2	40	24	42	O42.0X2	113	4		60

注: 1.上述代号用于编织软管。 2. 如需用于缠绕软管代号改为 20412-xx-xx。

NOTE : 1. FOR USE WITH BRAIDED HOSES 2. IF USE WITH SPIRAL HOSES , HOSE FITTINGS SERIES NUMBER IS 20412-XX-XX.



20491



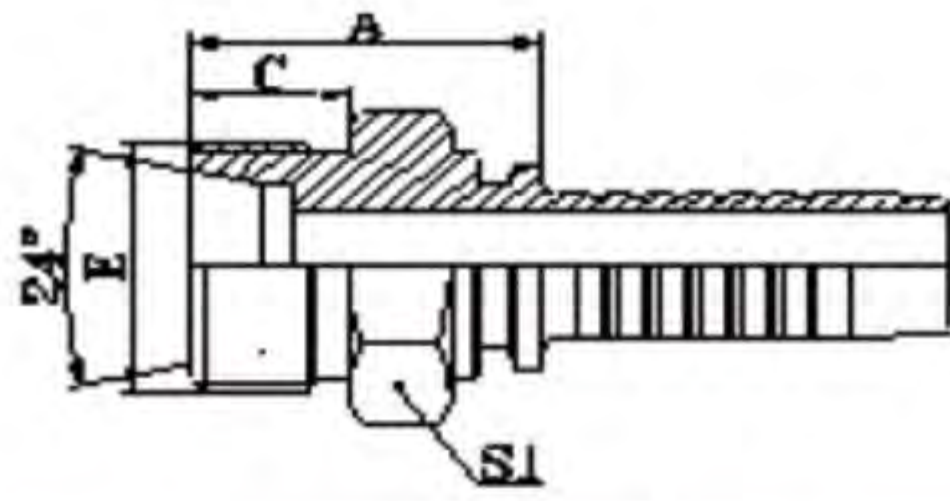
20491-T

90°公制内螺纹 24°锥带 O 形圈轻系列
ISO 12151-2-DIN 3865
90° METRIC FEMALE 24° CONE O-RING

代号	螺纹 E	软管		管子外径	O 形圈	尺寸			
		公称内径	标号			A	C	H	S2
20491-12-03	M12X1.5	5	03	6	O04.5X1.5	25.6	1	34.5	17
20491-12-04	M12X1.5	6	04	6	O04.5X1.5	27.5	1	43	17
20491-14-04	M14X1.5	6	04	8	O06.5X1.5	27.5	2	44.5	19
20491-16-04	M16X1.5	6	04	10	O08.0X1.5	27.5	2	45	22
20491-16-05	M16X1.5	8	05	10	O08.0X1.5	31	2	49.5	22
20491-16-06	M16X1.5	10	06	10	O08.0X1.5	33	2	50.5	22
20491-18-05T	M18X1.5	8	05	12	O10.0X1.5	31	1.5	43	22
20491-18-06	M18X1.5	10	06	12	O10.0X1.5	33	2.5	52.5	24
20491-22-06T	M22X1.5	10	06	15	O12.0X2.0	33	3	47	27
20491-22-08	M22X1.5	12	08	15	O12.0X2.0	42.5	2.5	62.5	27
20491-26-08T	M26X1.5	12	08	18	O15.0X2.0	42.5	2.1	54.5	32
20491-26-10	M26X1.5	16	10	18	O15.0X2.0	48.5	2.5	68	32
20491-26-12	M26X1.5	20	12	18	O15.0X2.0	50.5	2.5	76	32
20491-30-10T	M30X2	16	10	22	O20.0X2.0	48.5	3.8	59.5	36
20491-30-12	M30X2	20	12	22	O20.0X2.0	50.5	4	78	36
20491-36-12T	M36X2	20	12	28	O26.0X2.0	50.5	4.5	71	46
20491-36-14T	M36X2	22	14	28	O26.0X2.0		4.5		46
20491-45-16T	M45X2	25	16	35	O32.0X2.5	66	4	83	55
20491-45-20T	M45X2	32	20	35	O32.0X2.5	75	4	95	55
20491-52-20T	M52X2	32	20	42	O38.0X2.5	75	4	96.5	60
20491-52-24T	M52X2	40	24	42	O38.0X2.5	89	4	108.5	60

注: 1.上述代号用于编织软管。 2. 如需用于缠绕软管代号改为 20492-xx-xx。

NOTE : 1. FOR USE WITH BRAIDED HOSES 2. IF USE WITH SPIRAL HOSES , HOSE FITTINGS SERIES NUMBER IS 20492XX-XX.

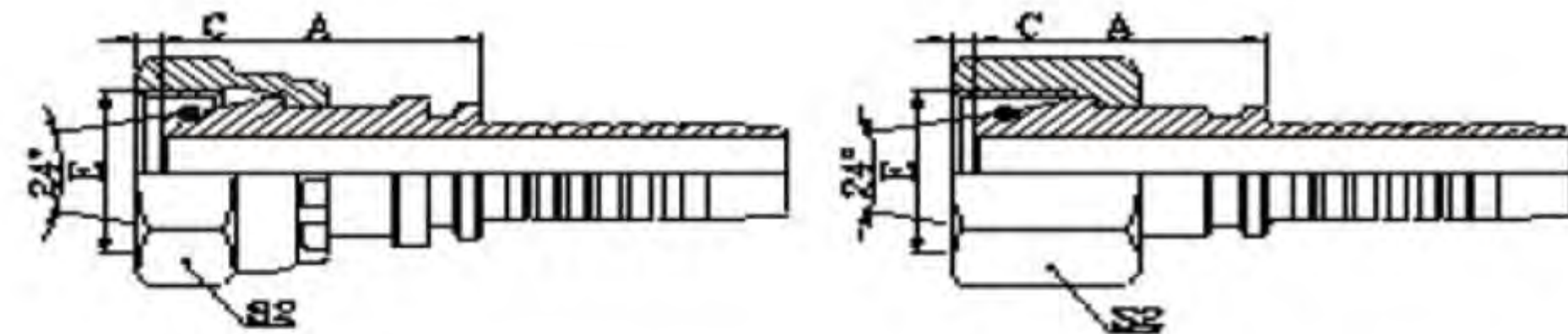


10511
公制外螺纹 24° 内锥面重系列
ISO-84341—DIN 3861
METRIC MALE 24° CONE SEAT H.T.

代 号	螺 纹 E	软 管		管子外径	尺 寸		
		公称内径	标 号		A	C	S1
10511-14-04	M14X1.5	6	04	6	24	12	14
10511-16-04	M16X1.5	6	04	8	24.5	12	17
10511-18-04	M18X1.5	6	04	10	25	12	19
10511-20-05	M20X1.5	8	05	12	26	12	22
10511-20-06	M20X1.5	10	06	12	26	12	22
10511-22-05	M22X1.5	8	05	14	28.5	14	24
10511-22-06	M22X1.5	10	06	14	28.5	14	24
10511-22-08	M22X1.5	12	08	14	29	14	24
10511-24-08	M24X1.5	12	08	16	30	14	27
10511-30-10	M30X2	16	10	20	35.5	16	32
10511-30-12	M30X2	20	12	20	35.5	16	32
10511-36-12	M36X2	20	12	25	38.5	18	38
10511-36-16	M36X2	25	16	25	40	18	38
10511-42-16	M42X2	25	16	30	43	20	46
10511-42-20	M42X2	32	20	30	44	20	46
10511-52-20	M52X2	32	20	38	48	22	55

注: 1. 上述代号用于编织软管。 2. 如需用于缠绕软管代号改为 20512-xx-xx。

NOTE : 1. FOR USE WITH BRAIDED HOSES 2. IF USE WITH SPIRAL HOSES , HOSE FITTINGS SERIES NUMBER IS 10512-XX-XX.



公制内螺纹
锥带 O 形圈重系列
ISO 12151-2—DIN 386
METRIC FEMALE 24° CONE
O-RING H.T.

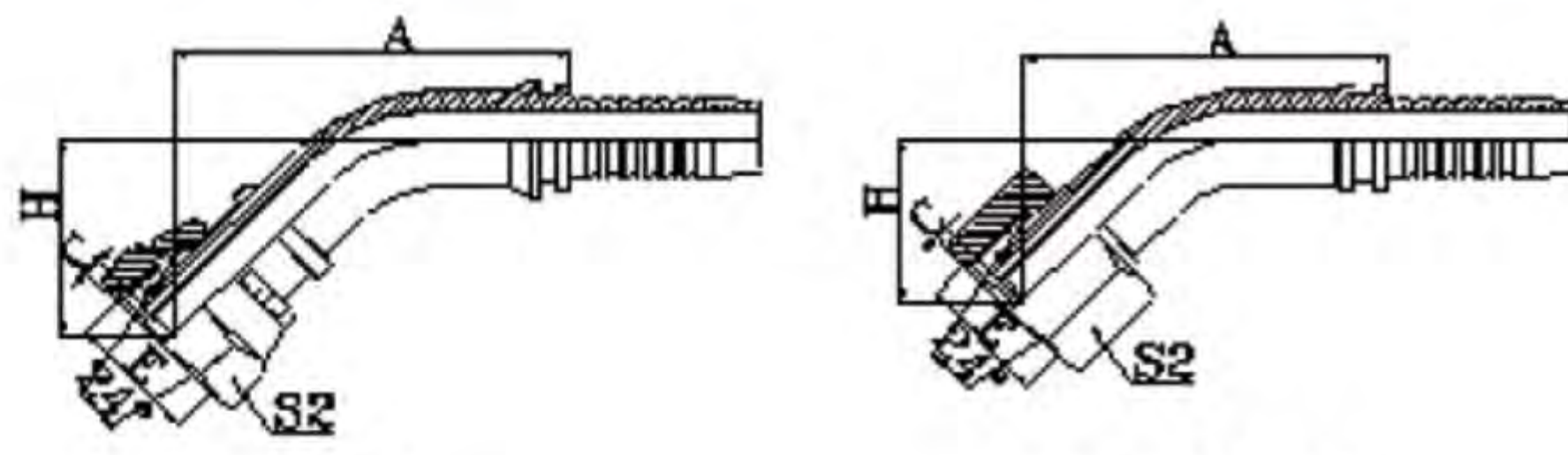
20511

20511-T

代 号	螺 纹 E	软 管		管子外径	O 形圈	尺 寸		
		公称内径	标 号			A	C	S1
20511-14-04	M16X1.5	6	04	6	O04.5X1.5	27.4	1.5	19
20511-16-04	M16X1.5	6	04	8	O06.5X1.5	27.5	1.5	22
20511-16-05	M16X1.5	8	05	8	O06.5X1.5	27.5	1.5	22
20511-18-04T	M18X1.5	6	04	10	O08.0X1.5	26	1.5	22
20511-18-06	M18X1.5	10	06	10	O08.0X1.5	29.5	2	24
20511-20-06T	M20X1.5	10	06	12	O10.0X1.5	27.5	2.5	24
20511-20-08	M20X1.5	12	08	12	O10.0X1.5	31.5	2.5	27
20511-22-06T	M22X1.5	10	06	14	O11.0X2.0	28.5	3	27
20511-22-08	M22X1.5	12	08	14	O11.0X2.0	32.5	2.5	27
20511-24-06T	M24X1.5	10	06	16	O13.0X2.0	27	3	30
20511-24-08T	M24X1.5	12	08	16	O13.0X2.0	30	3	30
20511-30-10T	M30X2	16	10	20	O16.3X2.4	33.5	2.5	36
20511-30-12	M30X2	20	12	20	O16.3X2.4	37	3	36
20511-36-12T	M36X2	20	12	25	O20.3X2.4	37	3.2	46
20511-36-14T	M36X2	22	14	25	O20.3X2.4	37	3.2	46
20511-42-12T	M42X2	20	12	30	O25.3X2.4	37.5	3.9	50
20511-42-16T	M42X2	25	16	30	O25.3X2.4	41	3.9	50
20511-52-20T	M52X2	32	20	38	O33.3X2.4	44	4.5	60
20511-52-24T	M52X2	40	24	38	O33.3X2.4	44	4.5	60

注: 1. 上述代号用于编织软管。 2. 如需用于缠绕软管代号改为 20512-xx-xx。

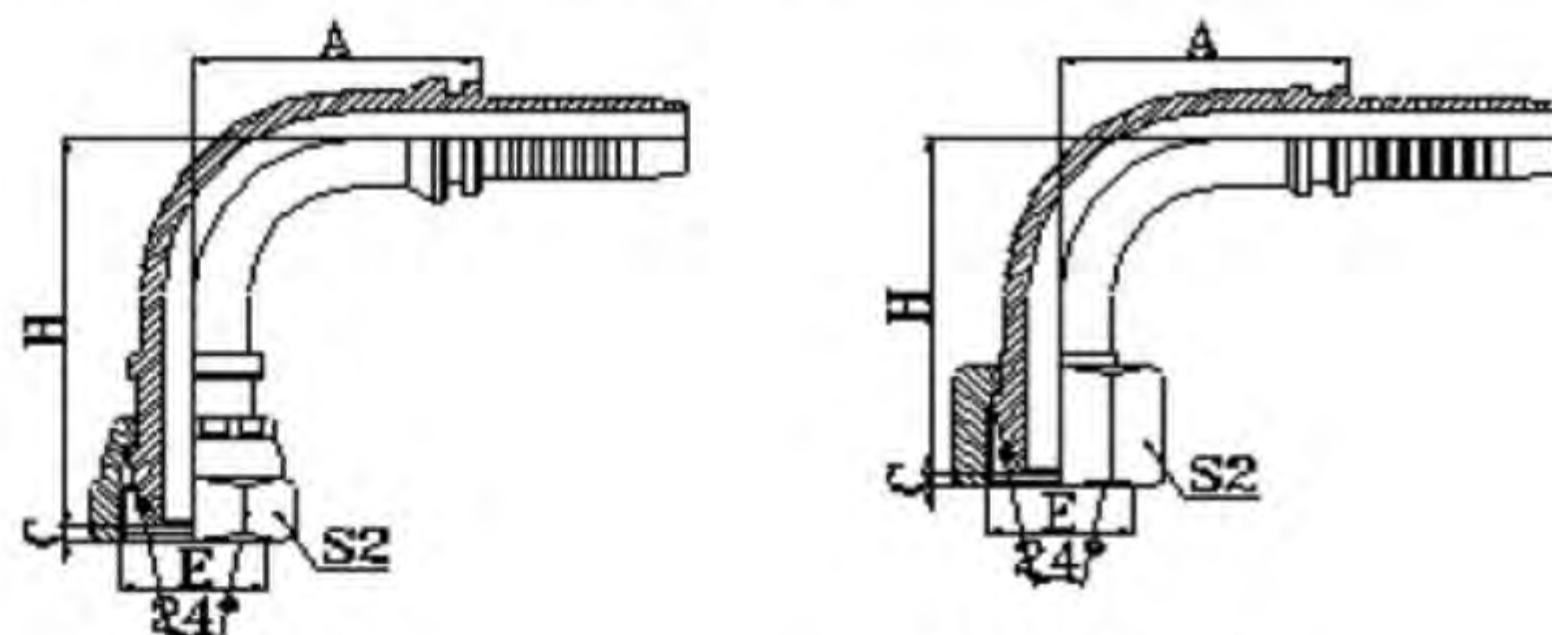
NOTE : 1. FOR USE WITH BRAIDED HOSES 2. IF USE WITH SPIRAL HOSES , HOSE FITTINGS SERIES NUMBER IS 20512-XX-XX.


20541
20541-T

45° 公制内螺纹
24° 锥带 O 形圈重系列
ISO 12151-2-DIN
45° METRIC FEMALE
24° CONE O-RING H.T.

代 号	螺 纹 E	软 管		管子外径	O 形圈	尺 寸			
		公称内径	标 号			A	C	H	S2
20541-14-04	M16X1.5	6	04	6	O04.5X1.5	46	1.5	27	19
20541-16-04	M16X1.5	6	04	8	O06.5X1.5	46	1.5	27	22
20541-16-05	M16X1.5	8	05	8	O06.5X1.5	49.5	1.5	28.1	22
20541-18-04T	M18X1.5	6	04	10	O08.0X1.5	41.5	1.5	22.5	22
20541-18-06	M18X1.5	10	06	10	O08.0X1.5	53	2	29.5	24
20541-20-06T	M20X1.5	10	06	12	O10.0X1.5	48.5	2.5	25	24
20541-20-08	M20X1.5	12	08	12	O10.0X1.5	65.9	2.5	33	27
20541-22-06T	M22X1.5	10	06	14	O11.0X2.0	48.9	3	25.3	27
20541-22-08	M22X1.5	12	08	14	O11.0X2.0	66.5	2.5	34	27
20541-24-08T	M24X1.5	12	08	16	O13.0X2.0	61.3	3	28.5	30
20541-30-10T	M30X2	16	10	20	O16.3X2.4	64.5	2.5	30.8	36
20541-30-12	M30X2	20	12	20	O16.3X2.4	84.5	3	41	36
20541-36-12T	M36X2	20	12	25	O20.3X2.4	80	3.2	36	46
20541-36-14T	M36X2	22	14	25	O20.3X2.4		3.2		46
20541-42-16T	M42X2	25	16	30	O25.3X2.4	89.4	3.9	37.5	50
20541-52-20T	M52X2	32	20	38	O33.3X2.4	102	4.5	42.8	60
20541-52-24T	M52X2	40	24	38	O33.3X2.4		4.5		60

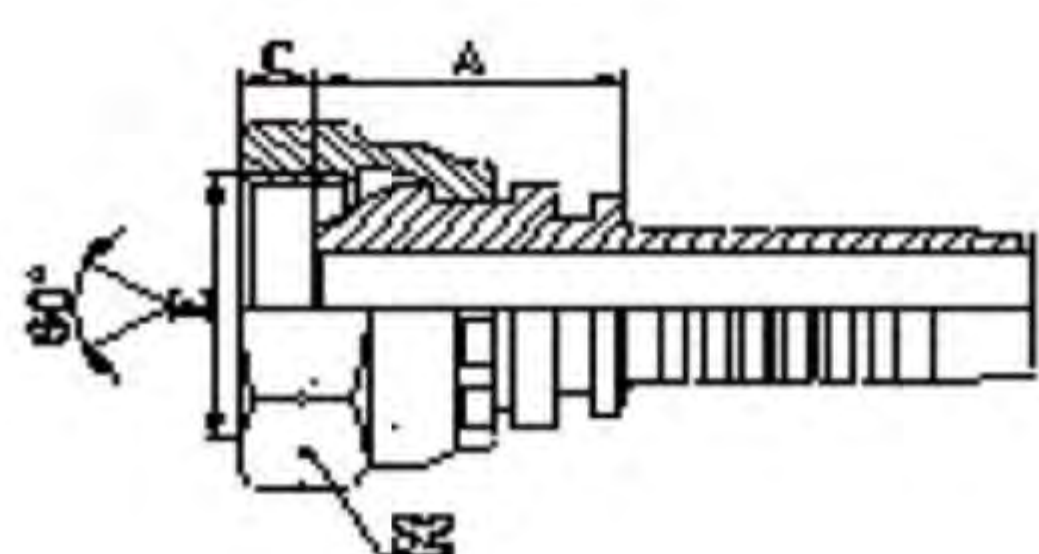
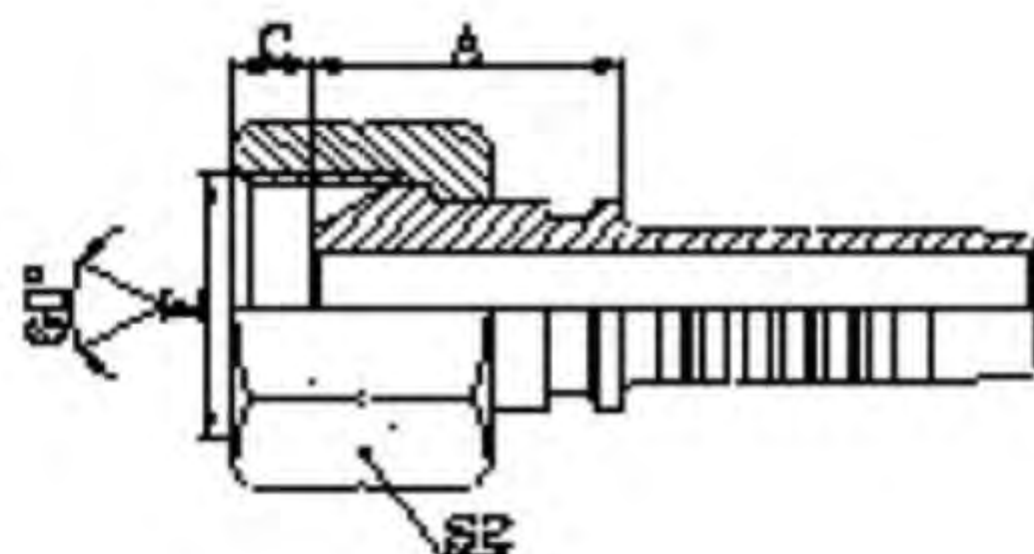
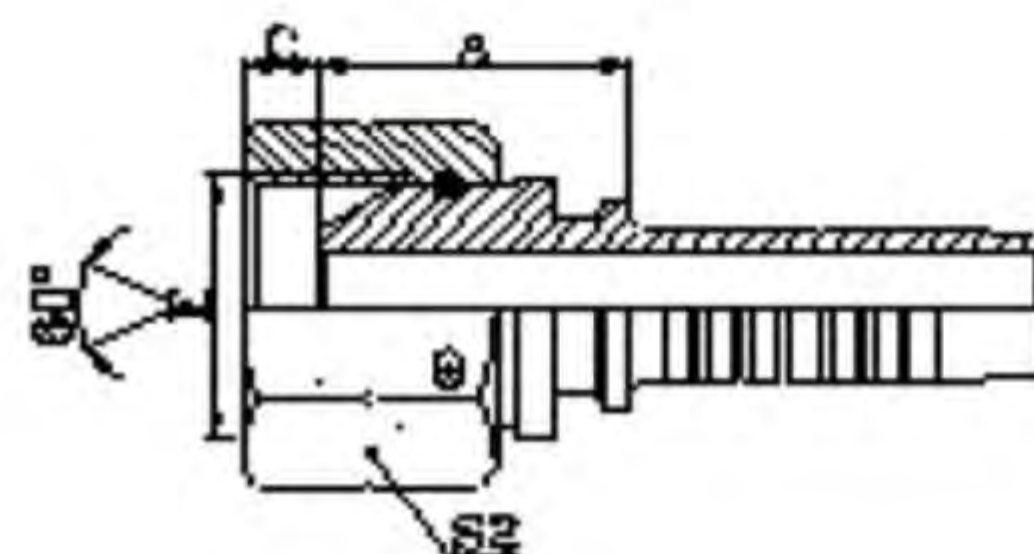
注: 1. 上述代号用于编织软管。 2. 如需用于缠绕软管代号改为 20542-xx-xx。
NOTE : 1. FOR USE WITH BRAIDED HOSES 2. IF USE WITH SPIRAL HOSES , HOSE FITTINGS SERIES NUMBER IS 20542-XX-XX.


20591
20591-T

90° 公制内螺纹
24° 锥带 O 形圈重系列
ISO 12151-2-DIN 3865
90° METRIC FEMALE 24° CONE
O-RING H.T.

代 号	螺 纹 E	软 管		管子外径	O 形圈	尺 寸			
		公称内径	标 号			A	C	H	S 2
20591-14-04	M16X1.5	6	04	6	O04.5X1.5	27.5	1.5	45.4	19
20591-16-04	M16X1.5	6	04	8	O06.5X1.5	27.5	1.5	45.5	22
20591-16-05	M16X1.5	8	05	8	O06.5X1.5	31	1.5	50	22
20591-18-05T	M18X1.5	8	05	10	O08.0X1.5	31	1.5	43.5	22
20591-18-06	M18X1.5	10	06	10	O08.0X1.5	33	2	53	24
20591-20-06T	M20X1.5	10	06	12	O10.0X1.5	33	2.5	46.5	24
20591-20-08	M20X1.5	12	08	12	O10.0X1.5	42.5	2.5	61.5	27
20591-22-06T	M22X1.5	10	06	14	O11.0X2.0	33	3	47	27
20591-22-08	M22X1.5	12	08	14	O11.0X2.0	42.5	2.5	62.5	27
20591-24-08T	M24X1.5	12	08	16	O13.0X2.0	42.5	3	55	30
20591-24-10	M24X1.5	16	10	16	O13.0X2.0	48.5	2.5	68	30
20591-30-10T	M30X2	16	10	20	O16.3X2.4	48.5	2.5	60.5	36
20591-30-12	M30X2	20	12	20	O16.3X2.4	50.5	3	78.5	36
20591-36-12T	M36X2	20	12	25	O20.3X2.4	50.5	3.2	72	46
20591-36-14T	M36X2	22	14	25	O20.3X2.4	57.5	3.2	74	46
20591-42-16T	M42X2	25	16	30	O25.3X2.4	66	3.9	83	50
20591-52-20T	M52X2	32	20	38	O33.3X2.4	75	4.5	95.5	60
20591-52-24T	M52X2	40	24	38	O33.3X2.4	93	4.5	107.5	60

注: 1. 上述代号用于编织软管。 2. 如需用于缠绕软管代号改为 20592-xx-xx。
NOTE : 1. FOR USE WITH BRAIDED HOSES 2. IF USE WITH SPIRAL HOSES , HOSE FITTINGS SERIES NUMBER IS 20592-XX-XX.


22611

22611-T

22611-W

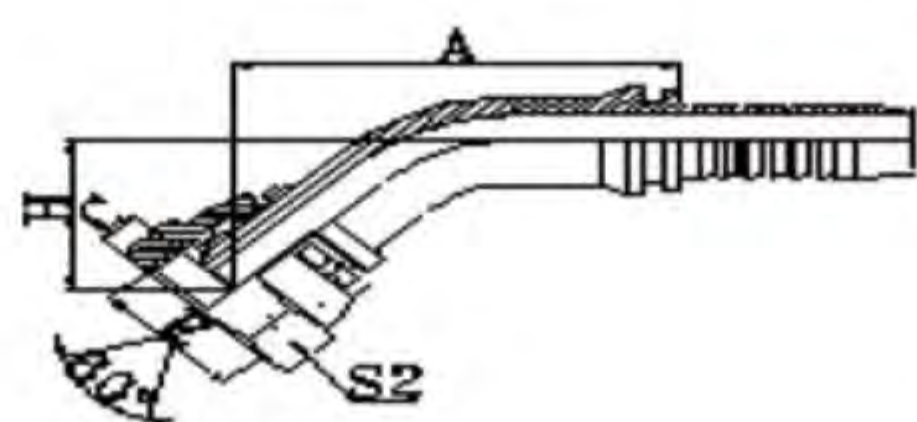
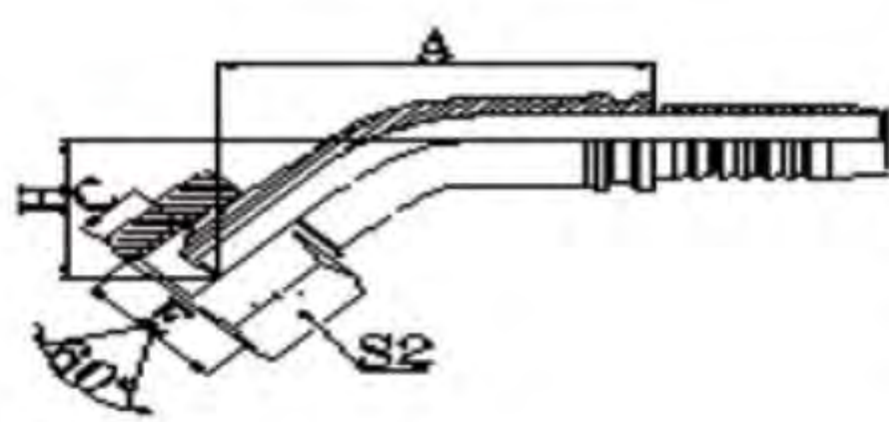
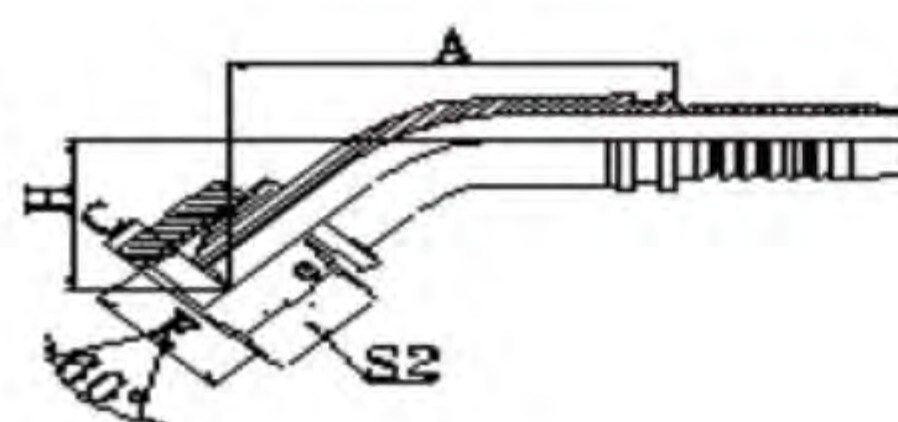
英管内螺纹 60° 外锥面

BSP FEMALE 60° CONE

代 号	管子外径 D	软 管		尺 寸			
		公称内径	标 号	A	C	S2	
22611-02-03	G1/8"X28	5	03	15	5.5	14	
22611-02-04	G1/8"X28	6	04	17.5	5.5	14	
22611-04-03	G1/4"X19	5	03	17	5.5	19	
22611-04-04	G1/4"X19	6	04	19	5.5	19	
22611-04-05	G1/4"X19	8	05	19	5.5	19	
22611-04-06	G1/4"X19	10	06	19	5.5	19	
22611-06-04	G3/8"X19	6	04	21	6.3	22	
22611-06-05	G3/8"X19	8	05	21	6.3	22	
22611-06-06	G3/8"X19	10	06	21	6.3	22	
22611-06-08	G3/8"X19	12	08	21.5	6.3	22	
22611-08-06T	G1/2"X14	10	06	21	7.5	27	
22611-08-08	G1/2"X14	12	08	23	7.5	27	
22611-10-08	G5/8"X14	12	08	23.5	9.5	30	
22611-10-10	G5/8"X14	16	10	24.5	9.5	30	
22611-12-08T	G3/4"X14	12	08	22	10.9	32	
22611-12-10	G3/4"X14	16	10	24.5	10.9	32	
22611-12-12	G3/4"X14	20	12	24.5	10.9	32	
22611-16-12T	G1"X11	20	12	24	11.7	41	
22611-16-14	G1"X11	22	14	26	11.7	41	
22611-16-16	G1"X11	25	16	27.5	11.7	41	
22611-20-16T	G1.1/4"X11	25	16	27.5	11	50	
22611-20-20W	G1.1/4"X11	32	20	30.5	11	50	
22611-24-20T	G1.1/2"X11	32	20	32	13	55	
22611-24-24W	G1.1/2"X11	40	24	32	13	55	
22611-32-24T	G2"X11	40	24	30	16	70	
22611-32-32W	G2"X11	50	32	31.9	16	70	

注: 1. 上述代号用于编织软管。 2. 如需用于缠绕软管代号改为 22612-xx-xx。

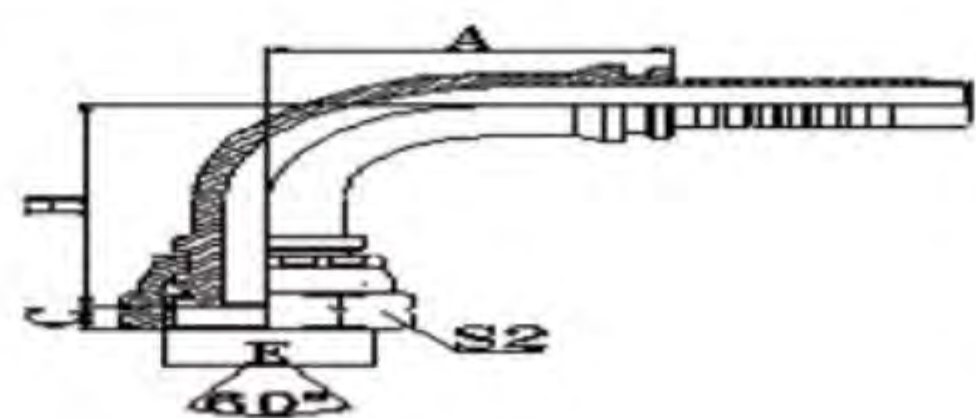
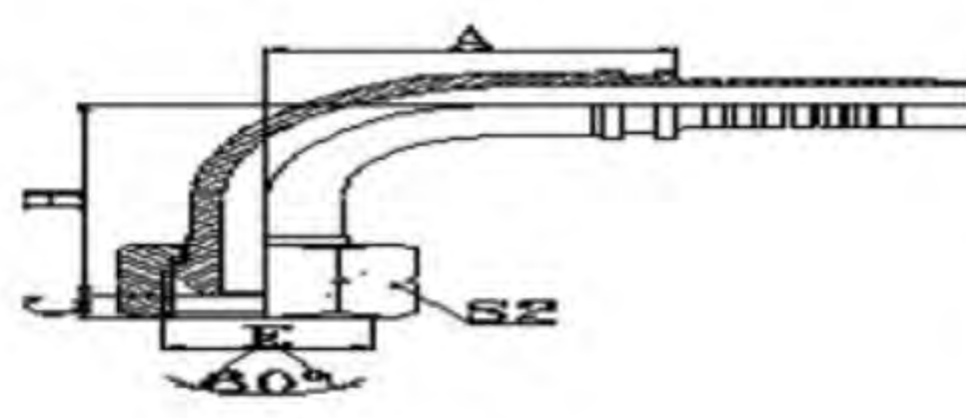
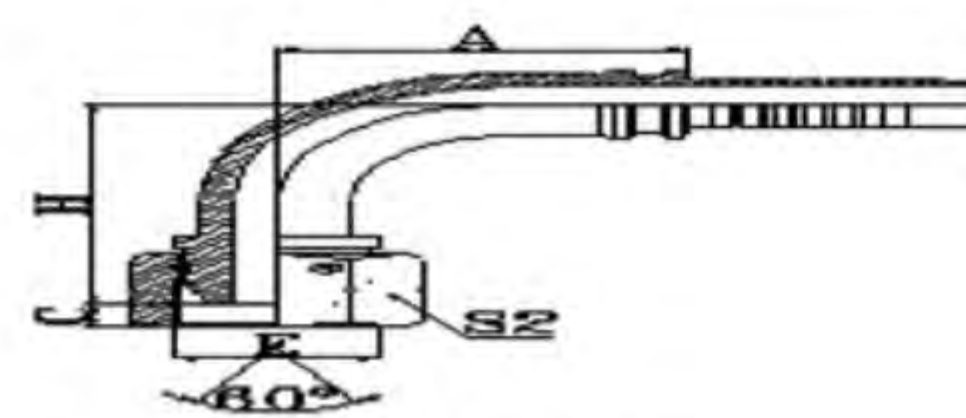
NOTE : 1. FOR USE WITH BRAIDED HOSES 2. IF USE WITH SPIRAL HOSES , HOSE FITTINGS SERIES NUMBER IS 22612-XX-XX.


22641

22641-T

22641-W

45° 英管内螺纹 60° 外锥面
45°BSP FEMALE 60°CONE

代 号	管子外径 D	软 管		尺 寸			
		公称内径	标 号	A	C	H	S2
22641-04-04	G1/4"X19	6	04	40	5.5	21	19
22641-06-04	G3/8"X19	6	04	43.2	6.3	21	22
22641-06-05	G3/8"X19	8	05	45.3	6.3	22	22
22641-06-06	G3/8"X19	10	06	47	6.3	24	22
22641-08-06T	G1/2"X14	10	06	48.1	7.5	23.9	27
22641-08-08	G1/2"X14	12	08	59.5	7.5	27	27
22641-10-08	G5/8"X14	12	08	61.4	9.5	26.5	30
22641-10-10	G5/8"X14	16	10	63	9.5	29	30
22641-12-08T	G3/4"X14	12	08	61.8	10.9	26.9	32
22641-12-10	G3/4"X14	16	10	63	10.9	29	32
22641-12-12	G3/4"X14	20	12	75.5	10.9	32	32
22641-16-12T	G1"X11	20	12	80.8	11.7	33.4	41
22641-16-16	G1"X11	25	16	86	11.7	34	41
22641-20-16T	G1.1/4"X11	25	16	85.3	11	31.1	50
22641-20-20W	G1.1/4"X11	32	20	98.8	11	38	50
22641-24-24W	G1.1/2"X11	40	24	116.8	13	45.5	55
22641-32-32W	G2"X11	50	32	135.7	16	52.7	70

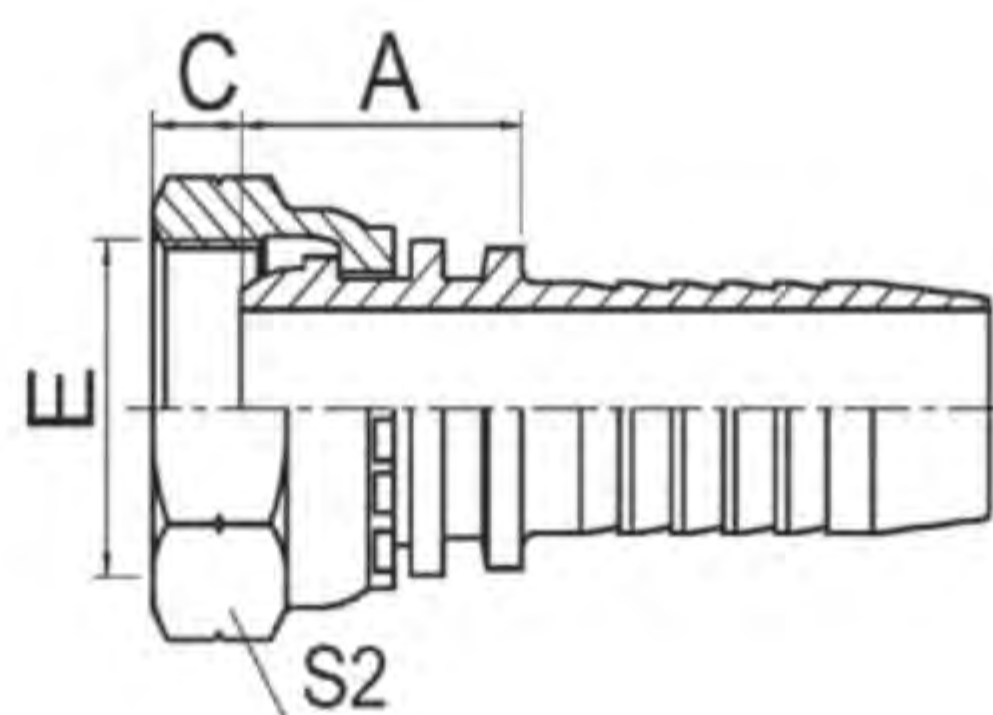
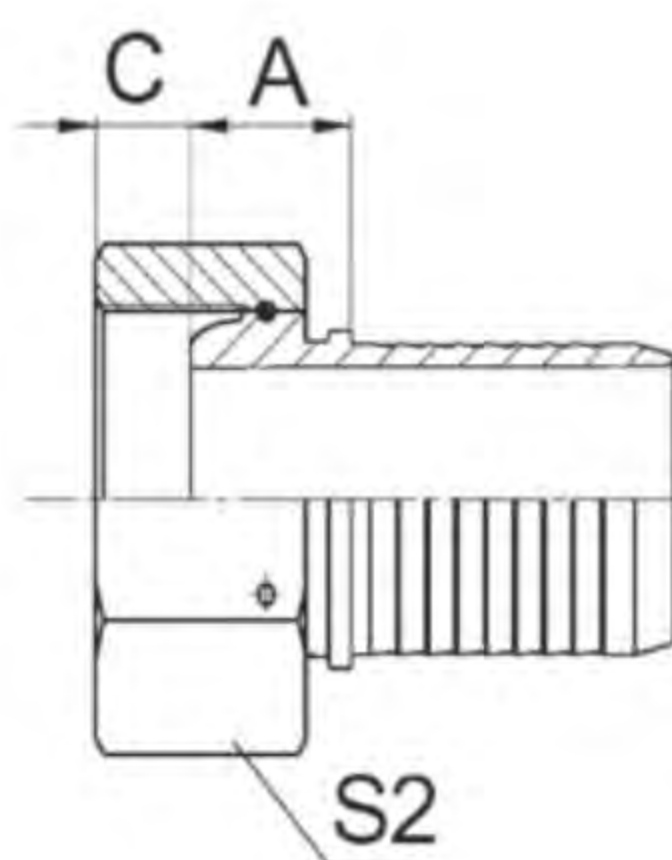
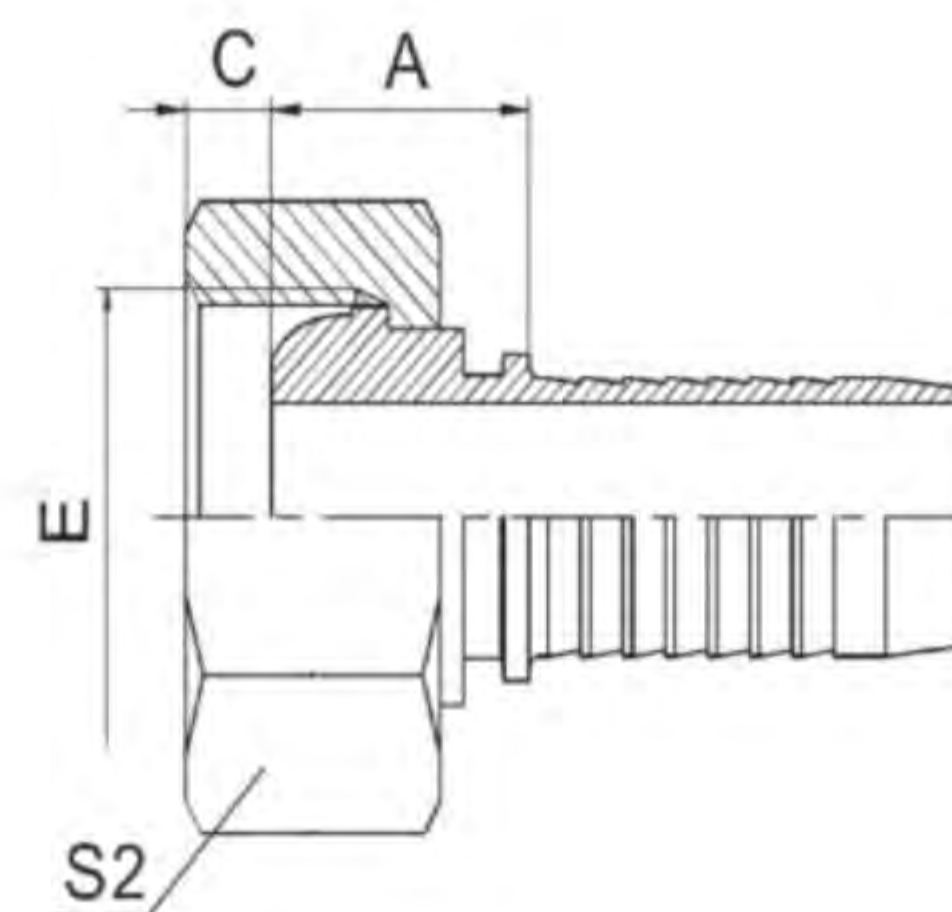
注: 1.上述代号用于编织软管。 2. 如需用于缠绕软管代号改为 22642-xx-xx。
NOTE : 1. FOR USE WITH BRAIDED HOSES 2. IF USE WITH SPIRAL HOSES , HOSE FITTINGS SERIES NUMBER IS 22642-XX-XX.


22691

22691-T

22691-W

90° 英管内螺纹 60° 外锥面
90°BSP FEMALE 60°CONE

代 号	管子外径 D	软 管		尺 寸			
		公称内径	标 号	A	C	H	S2
22691-02-03	G1/8"X28	5	03	26.5	5.5	31.5	14
22691-02-04	G1/8"X28	6	04	27.5	5.5	35.5	14
22691-04-03	G1/4"X19	5	03	26.5	5.5	33.5	19
22691-04-04	G1/4"X19	6	04	27.5	5.5	37	19
22691-04-05	G1/4"X19	8	05	31	5.5	41.5	19
22691-04-06	G1/4"X19	10	06	30	5.5	36.5	19
22691-06-04	G3/8"X19	6	04	27.5	6.3	39	22
22691-06-05	G3/8"X19	8	05	31	6.3	43.5	22
22691-06-06	G3/8"X19	10	06	33	6.3	44.5	22
22691-08-06T	G1/2"X14	10	06	35.3	7	43.3	27
22691-08-08	G1/2"X14	12	08	42.5	7.5	53	27
22691-08-10	G1/2"X14	16	10	56.5	7.5	55.5	27
22691-10-08	G5/8"X14	12	08	42.5	9.5	53.5	30
22691-10-10	G5/8"X14	16	10	48.5	9.5	58	30
22691-12-08T	G3/4"X14	12	08	41	10.9	52.1	32
22691-12-10	G3/4"X14	16	10	48.5	10.9	58	32
22691-12-12	G3/4"X14	20	12	50.5	10.9	66	32
22691-16-12T	G1"X11	20	12	65.5	11.7	68.3	41
22691-16-14	G1"X11	22	14	71.2	11.7	69.3	41
22691-16-16	G1"X11	25	16	66	11.7	78.5	41
22691-20-16T	G1.1/4"X11	25	16	78	11	69.5	50
22691-20-20W	G1.1/4"X11	32	20	91.5	11	84.3	50
22691-24-24W	G1.1/2"X11	40	24	109.4	13	103	55
22691-32-32W	G2"X11	50	32	131.8	16	123.3	70

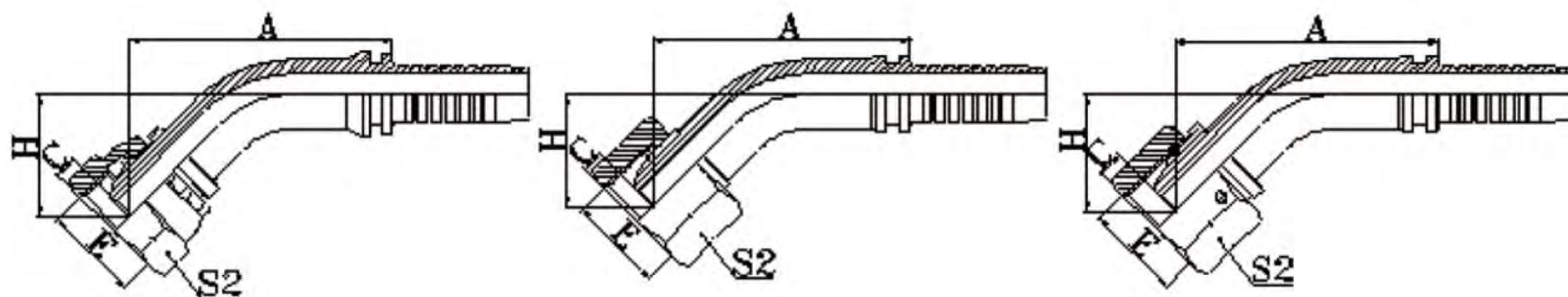
注: 1.上述代号用于编织软管。 2. 如需用于缠绕软管代号改为 22692-xx-xx。
NOTE : 1. FOR USE WITH BRAIDED HOSES 2. IF USE WITH SPIRAL HOSES , HOSE FITTINGS SERIES NUMBER IS 22692-XX-XX.


22111

22111W

22111-T

英管内螺纹球面
BSP FEMALE MULTISEAL

代号 PART NO.	螺纹 E THREAD E	胶管 HOSE BORE		尺寸 DIMENSIONS		
		公称内径 DN	标号 DASH	A	C	S2
22111-02-04	G1/8"X28	6	04	19	2	14
22111-04-03	G1/4"X19	5	03	19	4	19
22111-04-04	G1/4"X19	6	04	19.5	4	19
22111-06-05	G3/8"X19	8	05	20	5	22
22111-06-06	G3/8"X19	10	06	20.5	5	22
22111-06-08	G3/8"X19	12	08	21	5	22
22111-08-06T	G1/2"X14	10	06	22.5	6	27
22111-08-08	G1/2"X14	12	08	23	6	27
22111-08-10	G1/2"X14	16	10	24	6	27
22111-10-10	G5/8"X14	16	10	25	8	30
22111-10-12	G5/8"X14	20	12	25	8	30
22111-12-08T	G3/4"X14	12	08	25	9.5	32
22111-12-10	G3/4"X14	16	10	26	9.5	32
22111-12-12	G3/4"X14	20	12	26	9.5	32
22111-16-12T	G1"X11	20	12	26.5	11	41
22111-16-14	G1"X11	22	14	26.5	11	41
22111-16-16	G1"X11	25	16	28	11	41
22111-20-16T	G1.1/4"X11	25	16	27.5	11	50
22111-20-20W	G1.1/4"X11	32	20	31.5	10	50
22111-24-24W	G1.1/2"X11	40	24	37	11.5	55
22111-32-32W	G2"X11	50	32	34	15	70

注: 1.表中代号用于编织软管。 2.如需用于缠绕软管代号改为 22112-xx-xx。
Note: 1.For use with braided hoses. 2.If use with spiral hoses, hose fitting series number is 22112-xx-xx.



22141

22141-T

22141-W

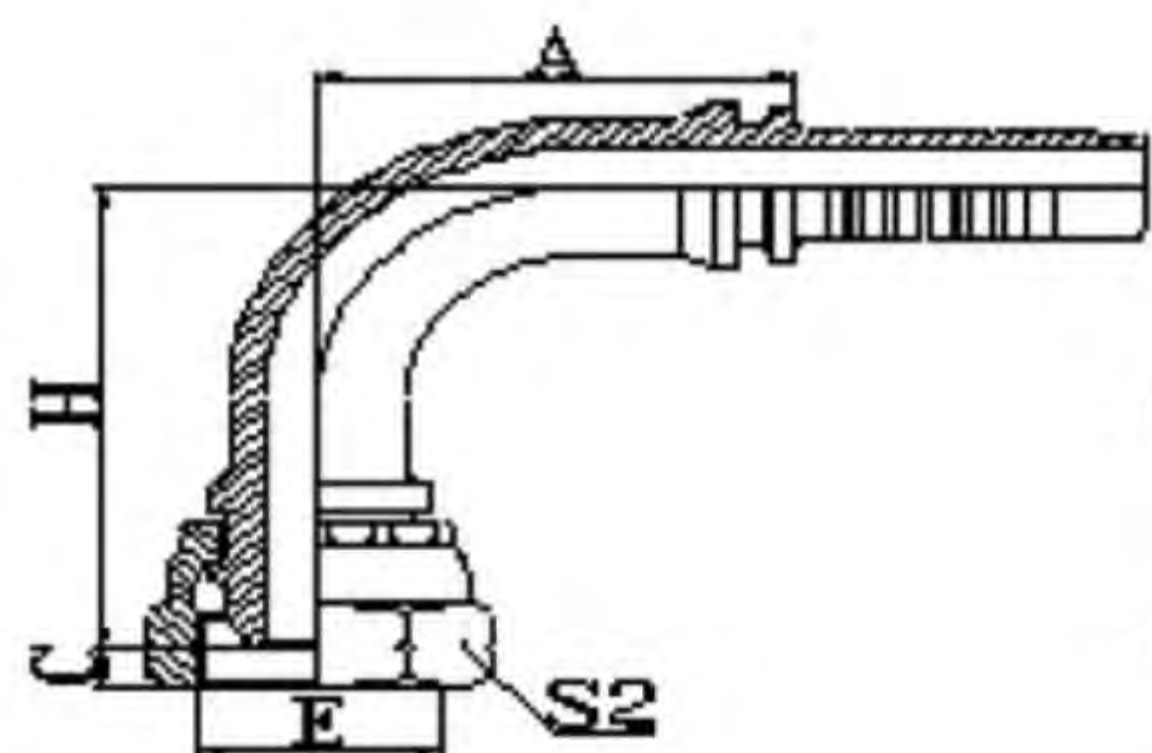
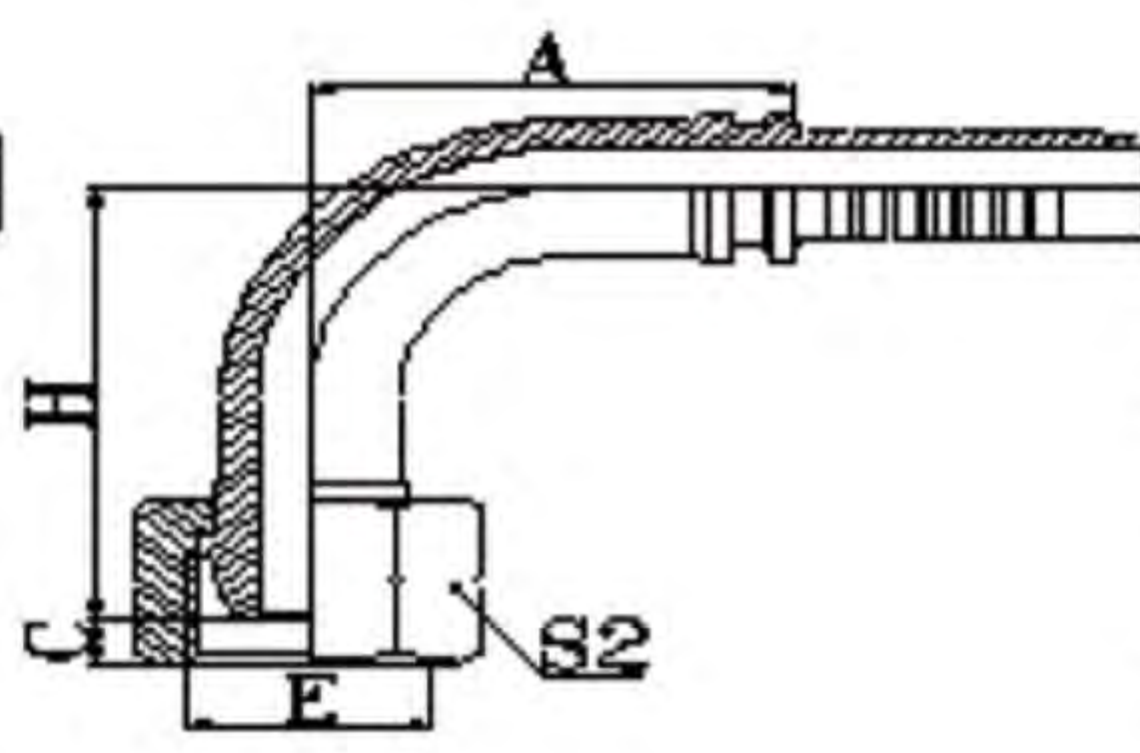
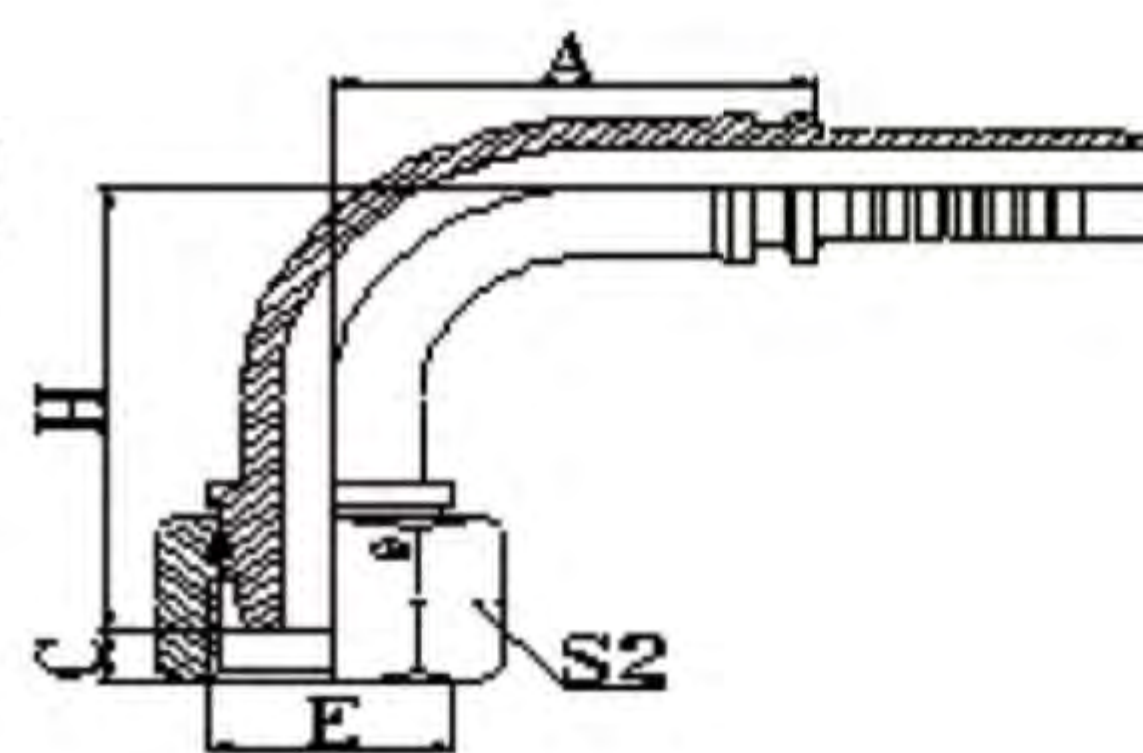
45° 英管内螺纹球面

45°BSP FEMALE MULTISEAL

代 号	螺纹 E	软 管		尺 寸			
		公称内径	标 号	A	C	H	S2
22141-02-04	G1/8"X28	6	04	43.7	2	21.6	14
22141-04-03	G1/4"X19	5	03	41.3	4	20.4	19
22141-04-04	G1/4"X19	6	04	43.7	4	21.6	19
22141-06-05	G3/8"X19	8	05	46.2	5	22.9	22
22141-06-06	G3/8"X19	10	06	48.1	5	23.9	22
22141-06-08	G3/8"X19	12	08	60.4	5	25.4	22
22141-08-04T	G1/2"X14	6	04	43.9	6	23.8	27
22141-08-06T	G1/2"X14	10	06	42.5	6	18.2	27
22141-08-08	G1/2"X14	12	08	61.8	6	26.8	27
22141-08-10	G1/2"X14	16	10	73	6	29	27
22141-10-10	G5/8"X14	16	10	73.7	8	28.9	30
22141-10-12	G5/8"X14	20	12	79.8	8	32.5	30
22141-12-08T	G3/4"X14	12	08	63.2	9.5	28.3	32
22141-12-10	G3/4"X14	16	10	70.4	9.5	29.6	32
22141-12-12	G3/4"X14	20	12	80.6	9.5	33.2	32
22141-16-12	G1"X11	20	12	81.6	11	33.5	41
22141-16-14	G1"X11	22	14	83.3	11	33	41
22141-16-16	G1"X11	25	16	89.2	11	35	41
22141-20-16T	G1.1/4"X11	25	16	91.4	9.1	37.1	50
22141-20-20W	G1.1/4"X11	32	20	102.9	10	41.2	50
22141-24-24W	G1.1/2"X11	40	24	119.8	11.5	49	55
22141-32-32W	G2"X11	50	32	137.4	15	53	70

注: 1.上述代号用于编织软管。 2. 如需用于缠绕软管代号改为 22142-xx-xx。

NOTE : 1. FOR USE WITH BRAIDED HOSES 2. IF USE WITH SPIRAL HOSES , HOSE FITTINGS SERIES NUMBER IS22142-XX-XX.


22191

22191-T

22191-W

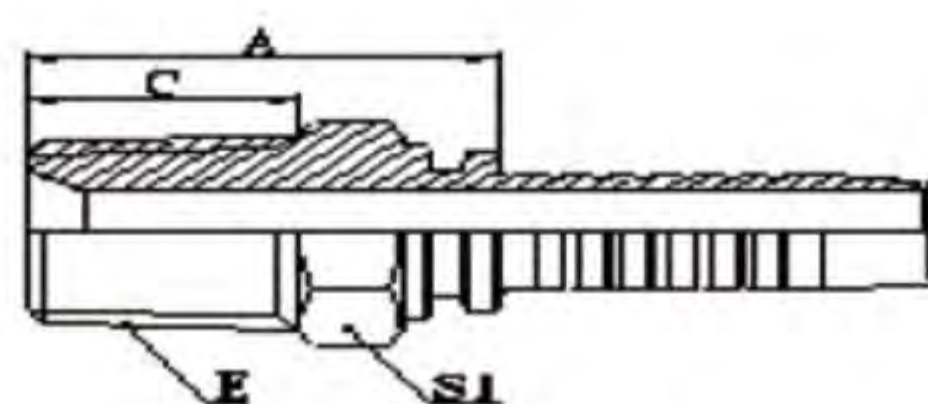
90° 英管内螺纹球面

90°BSP FEMALE MULTISEAL

代 号	螺纹 E	软 管		尺 寸			
		公称内径	标 号	A	C	H	S2
22191-02-04	G1/8"X28	6	04	30	2	38	14
22191-04-03	G1/4"X19	5	03	27	4	35	19
22191-04-04	G1/4"X19	6	04	30	4	38	19
22191-04-05	G1/4"X19	8	05	33	4	41.5	19
22191-06-05	G3/8"X19	8	05	33	5	42	22
22191-06-06	G3/8"X19	10	06	35.3	5	44.3	22
22191-06-08	G3/8"X19	12	08	41	5	50	22
22191-08-06T	G1/2"X14	10	06	35.3	6	46.8	27
22191-08-08	G1/2"X14	12	08	41	6	52.5	27
22191-10-10	G5/8"X14	16	10	56.5	8	57.5	30
22191-10-12	G5/8"X14	20	12	65.5	8	67	30
22191-12-08T	G3/4"X14	12	08	41	9.5	52	32
22191-12-10	G3/4"X14	16	10	56.5	9.5	58.5	32
22191-12-12	G3/4"X14	20	12	65.5	9.5	68	32
22191-16-12T	G1"X11	20	12	66.2	11	68.5	41
22191-16-14	G1"X11	22	14	71.2	11	69.5	41
22191-16-16	G1"X11	25	16	76.7	11	75	41
22191-20-16T	G1.1/4"X11	25	16	76.7	10	78	50
22191-20-20W	G1.1/4"X11	32	20	92.3	10	85.3	50
22191-24-24W	G1.1/2"X11	40	24	109.4	11.5	108	55
22191-32-32W	G2"X11	50	32	133.1	15	123.8	70

注: 1.上述代号用于编织软管。 2. 如需用于缠绕软管代号改为 22192-xx-xx。

NOTE : 1. FOR USE WITH BRAIDED HOSES 2. IF USE WITH SPIRAL HOSES , HOSE FITTINGS SERIES NUMBER IS 22192-XX-XX.

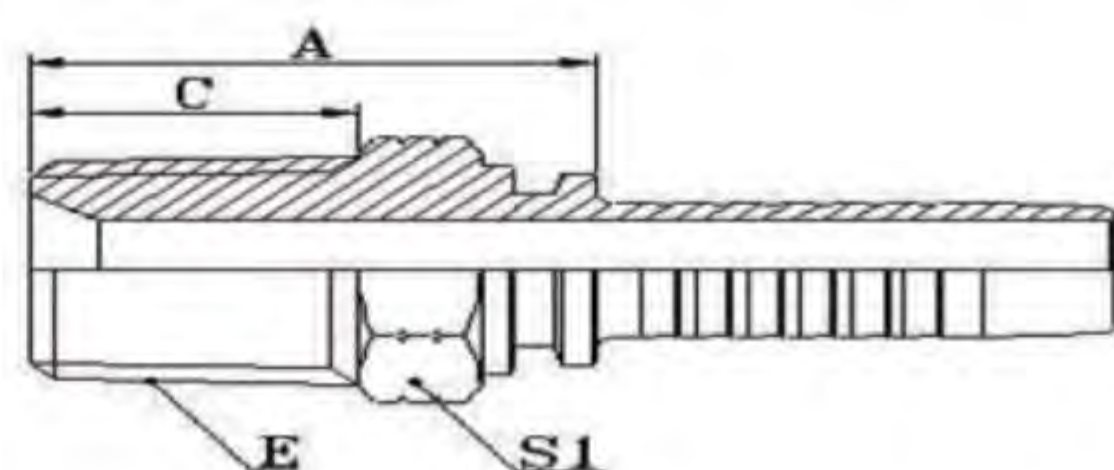


13011-SP
英锥管外螺纹
BSP MALE

代 号	螺纹 E	软 管		尺 寸			
		公称内径	标 号	A	C	S1	
13011-02-03SP	R1/8"X28	5	03	22	10	12	
13011-02-04SP	R1/8"X28	6	04	22.5	10	12	
13011-04-04SP	R1/4"X19	6	04	27	14.5	14	
13011-04-05SP	R1/4"X19	8	05	25	15.4	14	
13011-04-06SP	R1/4"X19	10	06	27	14.5	17	
13011-06-04SP	R3/8"X19	6	04	27.5	15	17	
13011-06-05SP	R3/8"X19	8	05	26.5	15	17	
13011-06-06SP	R3/8"X19	10	06	27.5	15	17	
13011-06-08SP	R3/8"X19	12	08	30	15	19	
13011-08-06SP	R1/2"X14	10	06	34.5	20	22	
13011-08-08SP	R1/2"X14	12	08	35	20	22	
13011-08-10SP	R1/2"X14	16	10	38	20	22	
13011-08-12SP	R1/2"X14	20	12	38	20	27	
13011-12-08SP	R3/4"X14	12	08	37	20	27	
13011-12-10SP	R3/4"X14	16	10	38	20	27	
13011-12-12SP	R3/4"X14	20	12	38.5	20	27	
13011-12-16SP	R3/4"X14	25	16	39.5	20	32	
13011-16-12SP	R1"X11	20	12	44	25.5	36	
13011-16-16SP	R1"X11	25	16	45	25.5	36	
13011-20-20SP	R1.1/4"X11	32	20	49.5	26.5	46	
13011-24-24SP	R1.1/2"X11	40	24	52.5	26.5	50	
13011-32-24SP	R2"X11	40	24	57	30	65	
13011-32-32SP	R2"X11	50	32	59	30	65	

注: 1. 上述代号用于编织软管。 2. 如需用于缠绕软管代号改为 13012-xx-xxSP。

NOTE : 1. FOR USE WITH BRAIDED HOSES 2. IF USE WITH SPIRAL HOSES , HOSE FITTINGS SERIES NUMBER IS 13012-XX-XXSP.

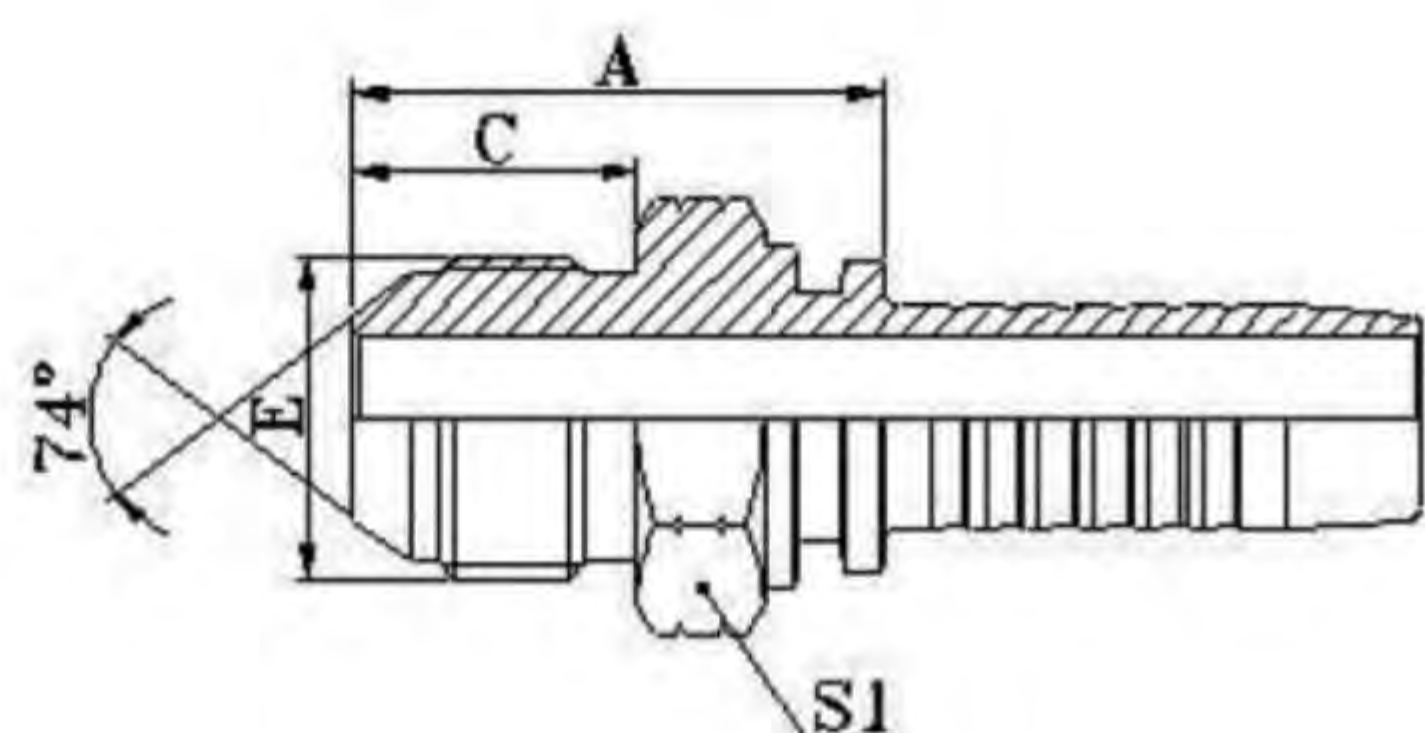


15611
美制布锥管外螺纹
NPT MALE

代 号	螺纹 E	软 管		尺 寸			
		公称内径	标 号	A	C	S1	
15611-02-03	Z1/8"X27	5	03	21.5	10.5	12	
15611-02-04	Z1/8"X27	6	04	22.5	10.5	12	
15611-04-03	Z1/4"X18	5	03	27	15	17	
15611-04-04	Z1/4"X18	6	04	27.5	15	17	
15611-04-05	Z1/4"X18	8	05	27.5	15	17	
15611-04-06	Z1/4"X18	10	06	27.5	15	17	
15611-06-04	Z3/8"X18	6	04	29	16	19	
15611-06-05	Z3/8"X18	8	05	29	16	19	
15611-06-06	Z3/8"X18	10	06	29	16	19	
15611-06-08	Z3/8"X18	12	08	29.5	16	19	
15611-08-06	Z1/2"X14	10	06	33.5	19.5	22	
15611-08-08	Z1/2"X14	12	08	34	19.5	22	
15611-08-10	Z1/2"X14	16	10	35.5	19.5	22	
15611-12-08	Z3/4"X14	12	08	37	19.5	27	
15611-12-10	Z3/4"X14	16	10	37	19.5	27	
15611-12-12	Z3/4"X14	20	12	38.5	19.5	27	
15611-12-16	Z3/4"X14	25	16	39.5	19.5	32	
15611-16-10	Z1"X11.5	16	10	45	25.5	36	
15611-16-12	Z1"X11.5	20	12	45	25.5	36	
15611-16-16	Z1"X11.5	25	16	47.5	25.5	36	
15611-20-16	Z1.1/4"X11.5	25	16	49	26.5	46	
15611-20-20	Z1.1/4"X11.5	32	20	50.5	26.5	46	
15611-24-24	Z1.1/2"X11.5	40	24	53.5	27.5	50	
15611-32-32	Z2"X11.5	50	32	56.5	27.5	65	

注: 1. 上述代号用于编织软管。 2. 如需用于缠绕软管代号改为 15612-xx-xx。

NOTE : 1. FOR USE WITH BRAIDED HOSES 2. IF USE WITH SPIRAL HOSES , HOSE FITTINGS SERIES NUMBER IS 15612-XX-XX.



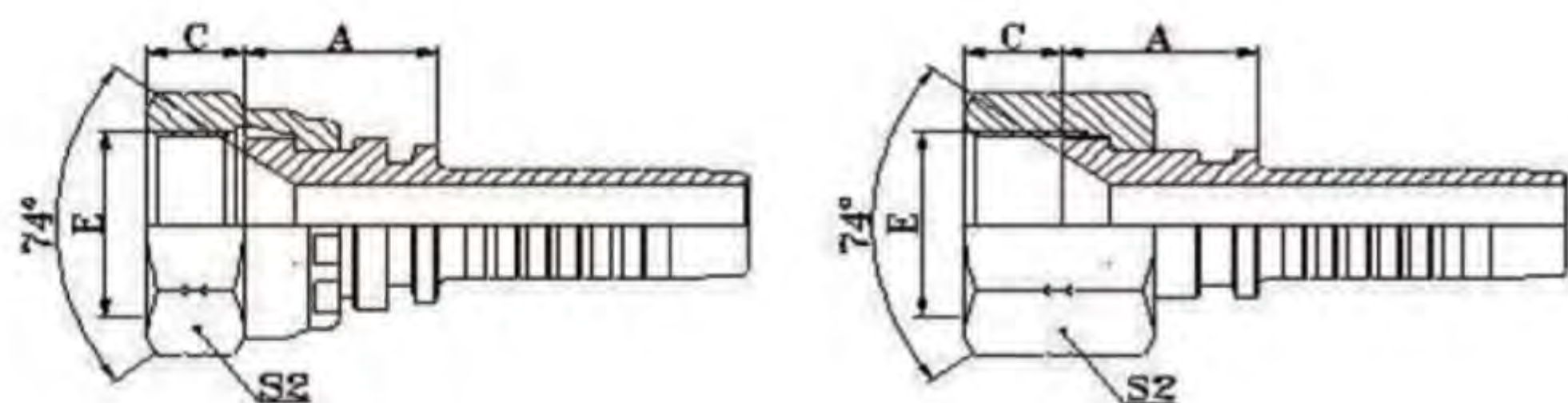
16711

美制 JIC 外螺纹 74° 外锥面
JIC 74° MALE CONE SEAL

代 号	螺纹 E	软 管		尺 寸			
		公称内径	标 号	A	C	S1	
16711-04-03	7/16"X20	5	03	26	14	12	
16711-04-04	7/16"X20	6	04	26	14	12	
16711-05-04	1/2"X20	6	04	26	14	14	
16711-05-05	1/2"X20	8	05	26	14	14	
16711-05-06	1/2"X20	10	06	26.5	14	17	
16711-06-04	9/16"X18	6	04	26.6	14.1	17	
16711-06-05	9/16"X18	8	05	26.6	14.1	17	
16711-06-06	9/16"X18	10	06	26.6	14.1	17	
16711-08-06	3/4"X16	10	06	30.7	16.7	22	
16711-08-08	3/4"X16	12	08	31.2	16.7	22	
16711-10-06	7/8"X14	10	06	34.3	19.3	24	
16711-10-08	7/8"X14	12	08	34	19.3	24	
16711-10-10	7/8"X14	16	10	35.8	19.3	24	
16711-12-08	1.1/16"X12	12	08	38.5	21.9	30	
16711-12-10	1.1/16"X12	16	10	39.4	21.9	30	
16711-12-12	1.1/16"X12	20	12	39.4	21.9	30	
16711-12-16	1.1/16"X12	25	16	42	21.9	30	
16711-14-10	1.3/16"X12	16	10	41.5	22.6	32	
16711-14-12	1.3/16"X12	20	12	40.5	22.6	32	
16711-16-12	1.5/16"X12	20	12	43.6	23.1	36	
16711-16-16	1.5/16"X12	25	16	45.1	23.1	36	
16711-20-16	1.5/8"X12	25	16	47	24.3	46	
16711-20-20	1.5/8"X12	32	20	48.3	24.3	46	
16711-24-20	1.7/8"X12	32	20	53	27.5	50	
16711-24-24	1.7/8"X12	40	24	53.5	27.5	50	
16711-32-32	2.1/2"X12	50	32	62.9	33.9	65	

注: 1. 上述代号用于编织软管。 2. 如需用于缠绕软管代号改为 16712-xx-xx。

NOTE : 1. FOR USE WITH BRAIDED HOSES 2. IF USE WITH SPIRAL HOSES , HOSE FITTINGS SERIES NUMBER IS 16712-XX-XX.



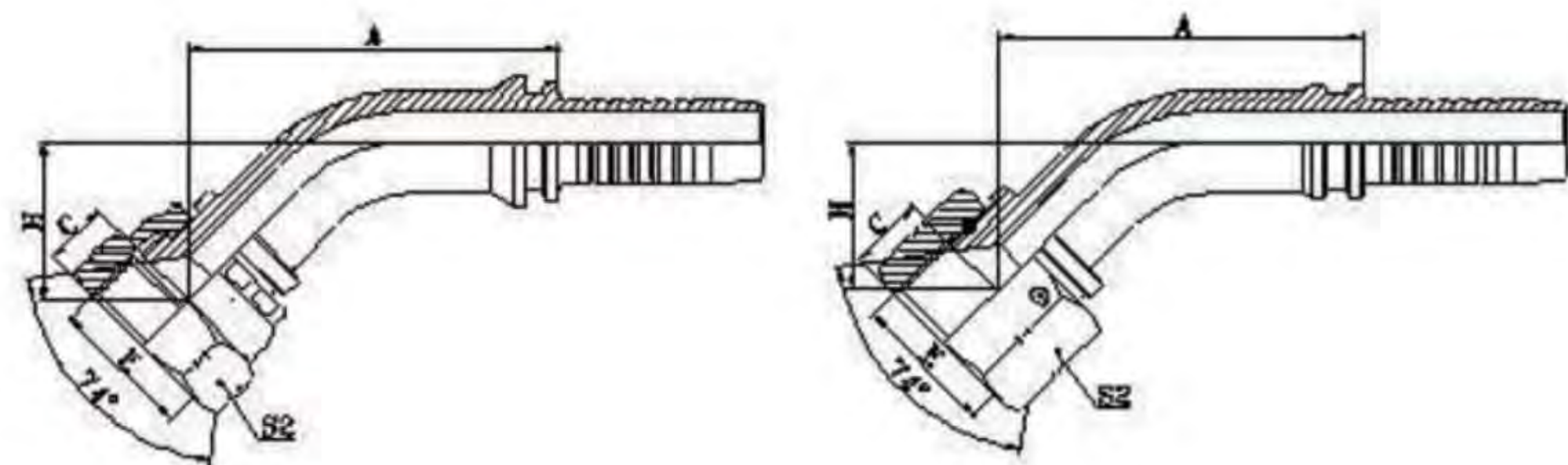
美制 JIC 外螺纹 74° 内锥面

26711
26711-T
JIC FEMALE 74° CONE SEAT

代 号	螺 纹 E	软 管		尺 寸			
		公称内径	标 号	A	C	S2	
26711-04-03	7/16"X20	5	03	14.5	9	15	
26711-04-04	7/16"X20	6	04	15	9	15	
26711-05-04	1/2"X20	6	04	16	9.5	17	
26711-05-05	1/2"X20	8	05	16	9.5	17	
26711-05-06	1/2"X20	10	06	16.5	9.5	17	
26711-06-04	9/16"X18	6	04	16.5	10.5	19	
26711-06-05	9/16"X18	8	05	16	10.5	19	
26711-06-06	9/16"X18	10	06	16.5	10.5	19	
26711-06-08	9/16"X18	12	08	16	10.5	19	
26711-08-06	3/4"X16	10	06	18	11	24	
26711-08-08	3/4"X16	12	08	18.5	11	24	
26711-08-10	3/4"X16	16	10	19.5	11	24	
26711-10-08	7/8"X14	12	08	19.5	13	27	
26711-10-10	7/8"X14	16	10	20.5	13	27	
26711-10-12	7/8"X14	20	12	20	13	7	
26711-12-08T	1.1/16"X12	12	08	19	15	32	
26711-12-10	1.1/16"X12	16	10	21.5	15	32	
26711-12-12	1.1/16"X12	20	12	21.5	15	32	
26711-12-16	1.1/16"X12	25	16	23.5	15	32	
26711-14-12	1.3/16"X12	20	12	21.5	15	36	
26711-16-12T	1.5/16"X12	20	12	18.5	16	41	
26711-16-16	1.5/16"X12	25	16	24.5	16	41	
26711-16-20	1.5/16"X12	32	20	24	16	41	
26711-20-16T	1.5/8"X12	25	16	23	17	50	
26711-20-20W	1.5/8"X12	32	20	26	17	50	
26711-24-20W	1.7/8"X12	32	20	26.5	20	55	
26711-24-24W	1.7/8"X12	40	24	26.5	20	55	
26711-32-24T	2.1/2"X12	40	24	27	23.5	75	
26711-32-32T	2.1/2"X12	50	32	27	23.5	75	

注: 1. 上述代号用于编织软管。 2. 如需用于缠绕软管代号改为 26712-xx-xx。

NOTE : 1. FOR USE WITH BRAIDED HOSES 2. IF USE WITH SPIRAL HOSES , HOSE FITTINGS SERIES NUMBER IS 26712-XX-XX.



45° 美制 JIC 内螺纹
74° 内锥面 SAE J514
45° JIC FEMALE 74° CONE
SEAT

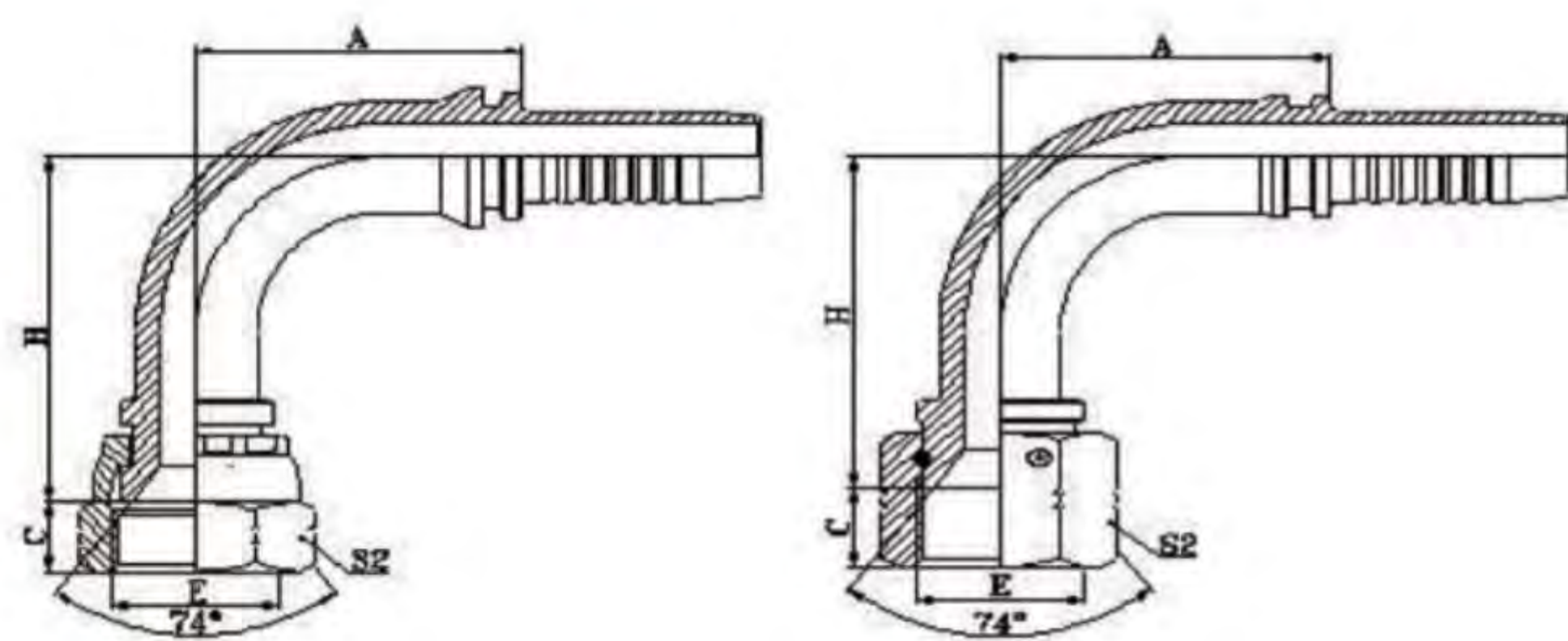
26741

26741-W

代 号	螺 纹 E	软 管		尺 寸			
		公称内径	标 号	A	C	H	S2
26741-04-03	7/16"X20	5	03	37.6	9	17.2	15
26741-04-04	7/16"X20	6	04	37	9	18	15
26741-05-04	1/2"X20	6	04	40.5	9.5	18.5	17
26741-05-05	1/2"X20	8	05	41.5	9.5	20	17
26741-05-06	1/2"X20	10	06	44.6	9.5	20.3	17
26741-06-04	9/16"X18	6	04	40.5	10.5	18.5	19
26741-06-05	9/16"X18	8	05	42	10.5	20.5	19
26741-06-06	9/16"X18	10	06	44	10.5	20.5	19
26741-08-06	3/4"X16	10	06	45	11	21.5	24
26741-08-08	3/4"X16	12	08	56.5	11	24	24
26741-10-08	7/8"X14	12	08	57.5	13	24.6	27
26741-10-10	7/8"X14	16	10	60	13	26	27
26741-10-12	7/8"X14	20	12	75.7	13	28.9	27
26741-12-08	1.1/16"X12	12	08	58	15	25.5	32
26741-12-10	1.1/16"X12	16	10	60.5	15	27	32
26741-12-12	1.1/16"X12	20	12	73.5	15	30	32
26741-14-12	1.3/16"X12	20	12	77.4	15	30	36
26741-16-12	1.5/16"X12	20	12	77.4	16	30	41
26741-16-16	1.5/16"X12	25	16	84	16	32.5	41
26741-20-20W	1.5/8"X12	32	20	95.9	17	35.2	50
26741-24-20W	1.7/8"X12	32	20	100.9	20	40.1	55
26741-24-24W	1.7/8"X12	40	24	114.8	20	44.1	55
26741-32-32T	2.1/2"X12	50	32	135.9	23.5	51.6	75

注: 1. 上述代号用于编织软管。 2. 如需用于缠绕软管代号改为 26742-xx-xx。

NOTE : 1. FOR USE WITH BRAIDED HOSES 2. IF USE WITH SPIRAL HOSES , HOSE FITTINGS SERIES NUMBER IS26742-XX-XX.



90° 美制 JIC 内螺纹
74° 内锥面 SAE J514
90° JIC FEMALE 74° CONE
SEAT

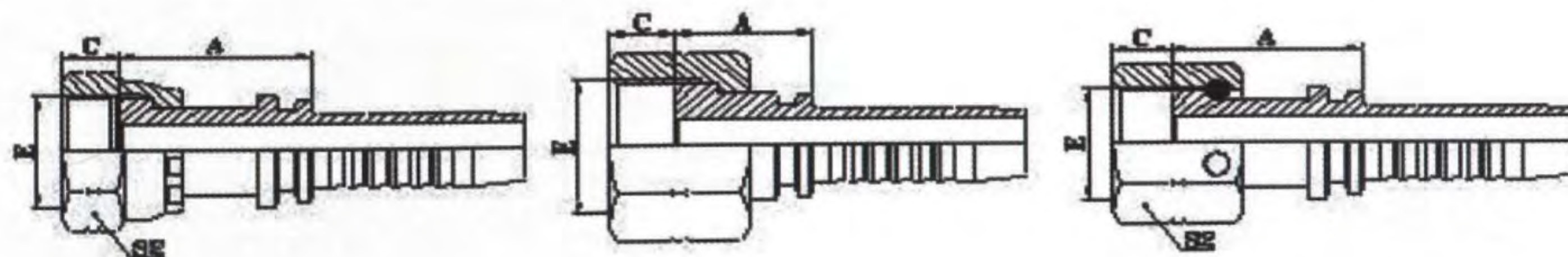
26791

26791-W

代 号	螺纹 E	软 管		尺 寸			
		公称内径	标 号	A	C	H	S2
26791-04-03	7/16"X20	5	03	26.5	9	30.5	15
26791-04-04	7/16"X20	6	04	27.5	9	33	15
26791-05-04	1/2"X20	6	04	27.5	9.5	33.5	17
26791-05-05	1/2"X20	8	05	31	9.5	38.5	17
26791-05-06	1/2"X20	10	06	35.3	9.5	39.3	17
26791-06-04	9/16"X18	6	04	27.5	10.5	34.5	19
26791-06-05	9/16"X18	8	05	31	10.5	39	19
26791-06-06	9/16"X18	10	06	33	10.5	40	19
26791-06-08	9/16"X18	12	08	35.8	10.5	39.8	19
26791-08-06	3/4"X16	10	06	33	11	41.5	24
26791-08-08	3/4"X16	12	08	42.5	11	48.5	24
26791-08-10	3/4"X16	16	10	49	11	47.5	24
26791-10-08	7/8"X14	12	08	42.5	13	49.5	27
26791-10-10	7/8"X14	16	10	48.5	13	54	27
26791-10-12	7/8"X14	20	12	50.5	13	62	27
26791-12-08	1.1/16"X12	12	08	42.5	15	50.5	32
26791-12-10	1.1/16"X12	16	10	48.5	15	55	32
26791-12-12	1.1/16"X12	20	12	60.5	15	63	32
26791-12-16	1.1/16"X12	25	16	74	15	63.5	32
26791-14-12	1.3/16"X12	20	12	65.5	15	63.5	36
26791-16-12	1.5/16"X12	20	12	65.5	16	63.5	41
26791-16-16	1.5/16"X12	25	16	66	16	75.5	41
26791-20-20W	1.5/8"X12	32	20	91.5	17	80.5	50
26791-24-20W	1.7/8"X12	32	20	91.5	20	80.5	55
26791-24-24W	1.7/8"X12	40	24	109.4	20	94	55
26791-32-32T	2.1/2"X12	50	32	133.1	23.5	121.8	75

注: 1. 上述代号用于编织软管。 2. 如需用于缠绕软管代号改为 26792-xx-xx。

NOTE : 1. FOR USE WITH BRAIDED HOSES 2. IF USE WITH SPIRAL HOSES , HOSE FITTINGS SERIES NUMBER IS 26792-XX-XX.



24211

24211-T

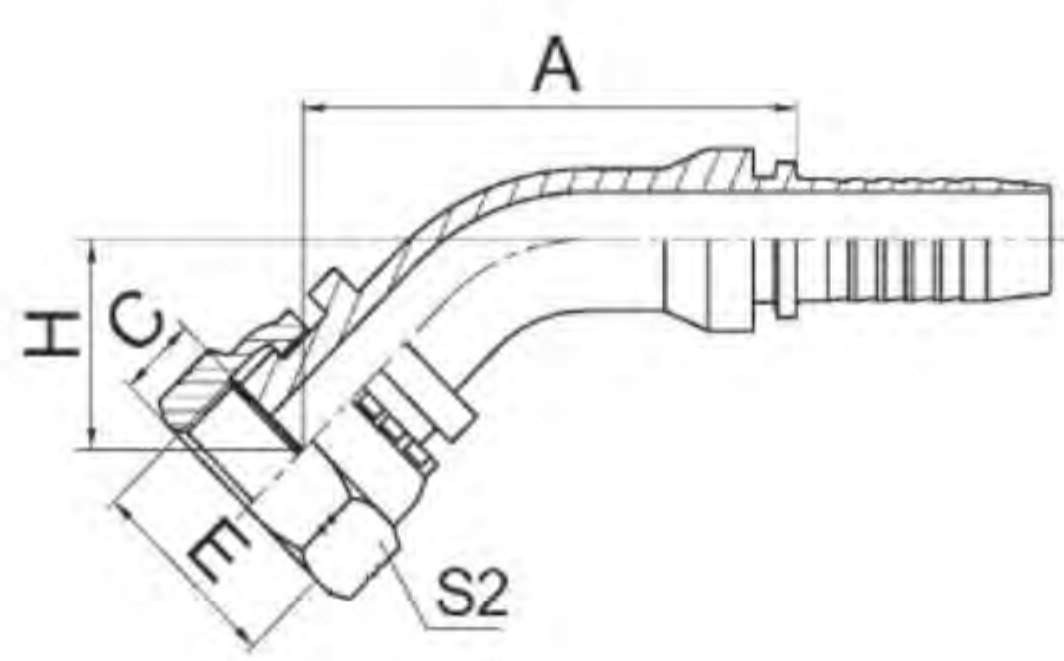
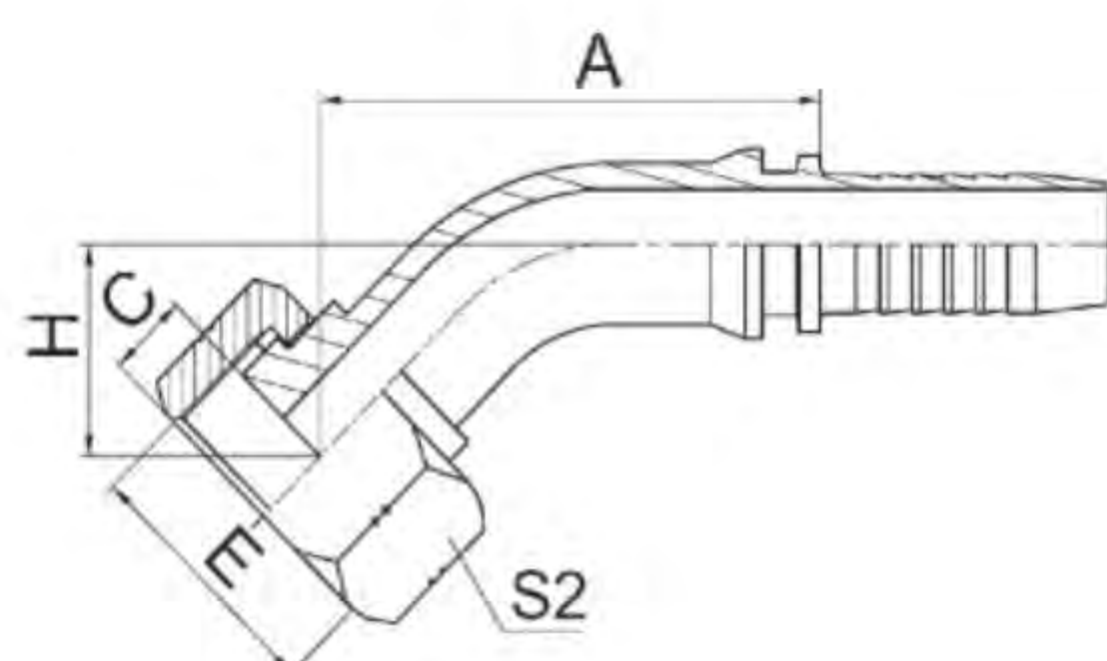
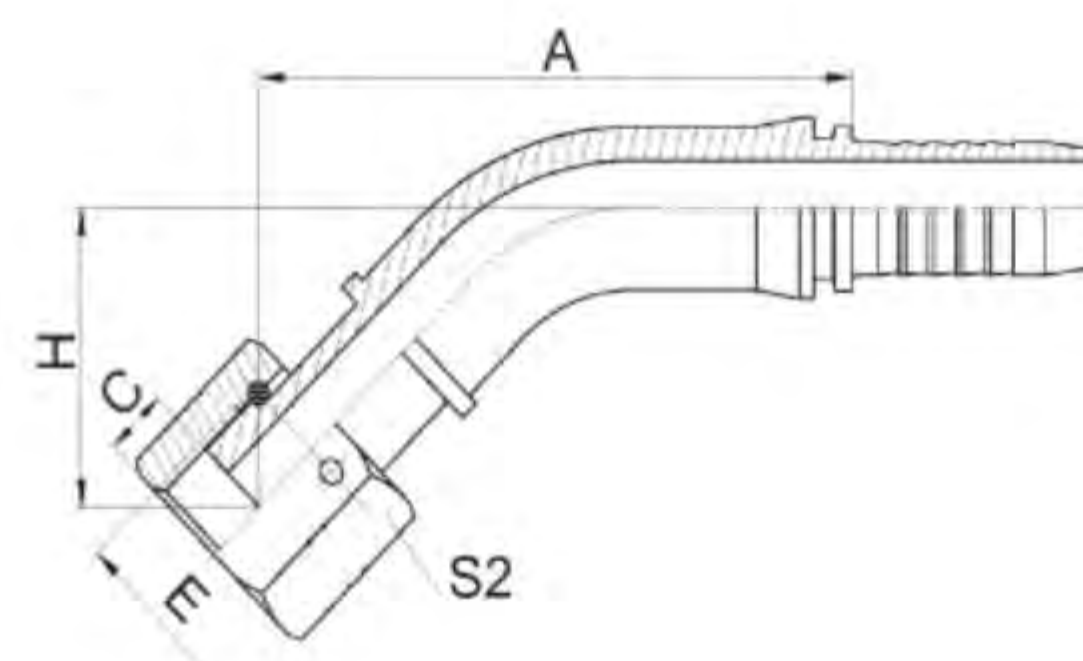
24211-W

美制 ORFS 内螺纹平面
ORFS FEMALE FLAT SEAT
ISO 12151-1—SAE J516

代 号	螺纹 E	软 管		尺 寸			
		公称内径	标 号	A	H	S2	
24211-04-04	9/16"X18	6	04	25.5	8.5	19	
24211-04-05	9/16"X18	8	05	22.5	8.5	19	
24211-04-06	9/16"X18	10	06	22.5	8.5	19	
24211-06-04T	11/16"X16	6	04	23.5	10	22	
24211-06-05T	11/16"X16	8	05	23.5	10	22	
24211-06-06	11/16"X16	10	06	26.5	10	22	
24211-06-08	11/16"X16	12	08	26	10	22	
24211-08-05T	13/16"X16	8	05	25	11	27	
24211-08-06T	13/16"X16	10	06	24.5	11	27	
24211-08-08	13/16"X16	12	08	28	11	27	
24211-08-10	13/16"X16	16	10	29	11	27	
24211-10-08T	1"X14	12	08	29	13.5	30	
24211-10-10	1"X14	16	10	34	13.5	30	
24211-10-12	1"X14	20	12	34	13.5	30	
24211-12-08T	1.3/16"X12	12	08	30.5	15	36	
24211-12-10T	1.3/16"X12	16	10	32.5	15	36	
24211-12-12	1.3/16"X12	20	12	36.5	15	36	
24211-12-16	1.3/16"X12	25	16	36	15	36	
24211-16-12T	1.7/16"X12	20	12	32.5	14.8	41	
24211-16-14T	1.7/16"X12	22	14	35	14.8	41	
24211-16-16T	1.7/16"X12	25	16	34.3	14.8	41	
24211-16-20	1.7/16"X12	32	20	39.5	14.8	41	
24211-20-16T	1.11/16"X12	25	16	34.5	15	50	
24211-20-20W	1.11/16"X12	32	20	42.5	15	50	
24211-20-24W	1.11/16"X12	40	24	42.5	15	50	
24211-24-20T	2"X12	32	20	36	14.8	60	
24211-24-24T	2"X12	40	24	37.2	14.8	60	

注: 1.上述代号用于编织软管。 2. 如需用于缠绕软管代号改为 24212-xx-xx。

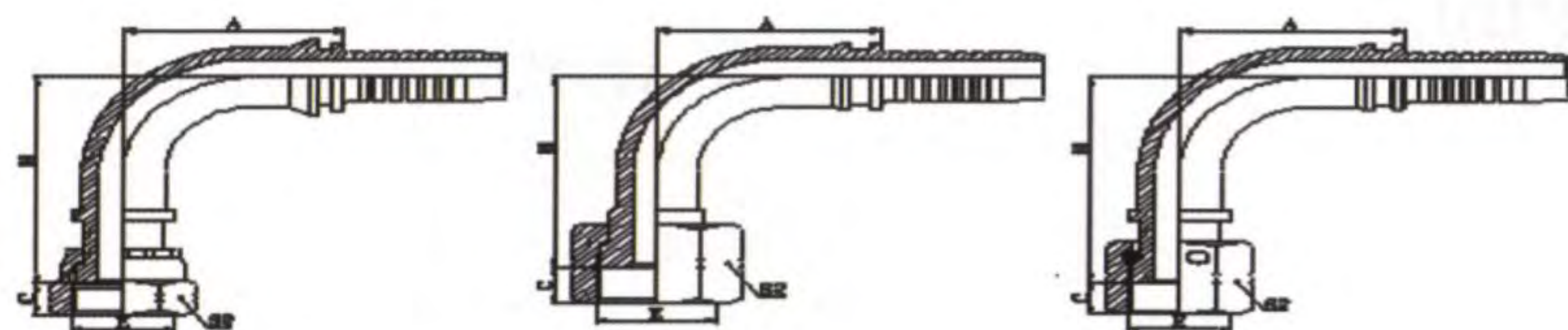
NOTE : 1. FOR USE WITH BRAIDED HOSES 2. IF USE WITH SPIRAL HOSES , HOSE FITTINGS SERIES NUMBER IS24212-XX-XX


24241

24241-T

24241-W

45° 美制ORFS内螺纹平面
45° ORFS FEMALE FLAT SEAT
ISO 12151-1--SAE J516

代号 PART NO.	螺纹 E THREAD E	胶管 HOSE BORE		尺寸 DIMENSIONS			
		公称内径 DN	标号 DASH	A	H	C	S2
24241-04-04	9/16"X18	6	04	45.5	23.4	8.5	19
24241-04-05	9/16"X18	8	05	47.6	24.3	8.5	19
24241-04-06	9/16"X18	10	06	49.2	24.9	8.5	19
24241-06-04T	11/16"X16	6	04	39.5	17.4	10	22
24241-06-05T	11/16"X16	8	05	42.3	19	10	22
24241-06-06	11/16"X16	10	06	51.3	27.1	10	22
24241-08-06T	13/16"X16	10	06	44.6	20.3	11	27
24241-08-08	13/16"X16	12	08	65.7	30.7	11	27
24241-08-10	13/16"X16	16	10	76.5	31.7	11	27
24241-10-08T	1"X14	12	08	58.2	23.3	13.5	30
24241-10-10	1"X14	16	10	79.2	34.9	13.5	30
24241-12-08T	1.3/16"X12	12	08	58.2	23.3	15	36
24241-12-10T	1.3/16"X12	16	10	68.2	23.9	15	36
24241-12-12	1.3/16"X12	20	12	87	39.5	15	36
24241-12-16	1.3/16"X12	25	16	95.3	41	15	36
24241-16-12T	1.7/16"X12	20	12	74	29.6	14.8	41
24241-16-14T	1.7/16"X12	22	14	78.7	28.5	14.8	41
24241-16-16T	1.7/16"X12	25	16	84.1	29.7	14.8	41
24241-20-16T	1.11/16"X12	25	16	84.1	29.7	15	50
24241-20-20W	1.11/16"X12	32	20	111.2	49	15	50
24241-24-20T	2"X12	32	20	94.5	33.8	14.8	60
24241-24-24T	2"X12	40	24	108.5	37.7	14.8	60

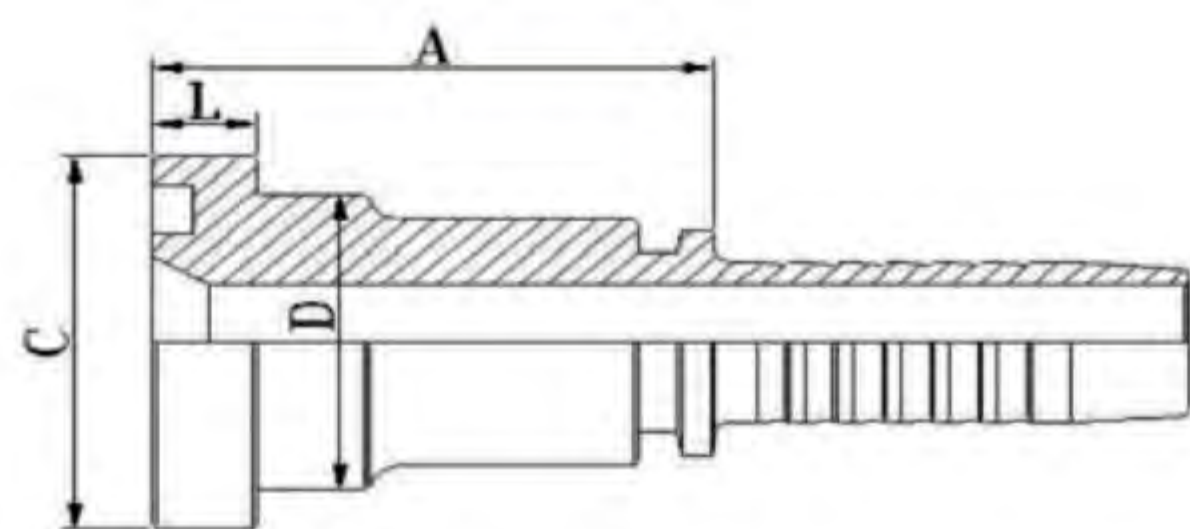
注：1. 表中代号用于编织软管。 2. 如需用于缠绕软管代号改为 24242-xx-xx。
Note: 1. For use with braided hoses. 2. If use with spiral hoses, hose fitting series number is 24242-xx-xx.


24291
24291-T
24291-W

90° 美制 ORFS 内螺纹平面
 90°ORFS FEMALE FLAT SEAT
 ISO 12151-1—SAE J516

代 号	螺 纹 E	软 管		尺 寸			
		公称内径	标 号	A	H	C	S2
24291-04-04	9/16"X18	6	04	27.5	43.5	8.5	19
24291-04-05	9/16"X18	8	05	33	44	8.5	19
24291-06-05T	11/16"X16	8	05	33	37.5	10	22
24291-06-06	11/16"X16	10	06	33	50	10	22
24291-08-08	11/16"X16	12	08	42.5	55	10	22
24291-08-06T	13/16"X16	10	06	35.3	39.8	11	27
24291-08-08	13/16"X16	12	08	41	58	11	27
24291-08-10	13/16"X16	16	10	56.5	61.5	11	27
24291-10-08T	1"X14	12	08	41	46	13.5	30
24291-10-10	1"X14	16	10	48.5	67.5	13.5	30
24291-10-12	1"X14	20	12	50.5	75.5	13.5	30
24291-12-10T	1.3/16"X12	16	10	56	51.5	15	36
24291-12-12	1.3/16"X12	20	12	65.5	78	15	36
24291-12-16	1.3/16"X12	25	16	76.7	83.5	15	36
24291-16-12T	1.7/16"X12	20	12	65.5	63	14.8	41
24291-16-14T	1.7/16"X12	22	14	71.2	63	14.8	41
24291-16-16T	1.7/16"X12	25	16	76.9	67.5	14.8	41
24291-20-16T	1.11/16"X12	25	16	76.7	67.5	15	50
24291-20-20W	1.11/16"X12	32	20	93	100	15	50
24291-24-20T	2"X12	32	20	91.5	78.5	14.8	60
24291-24-24T	2"X12	40	24	109.4	92	14.8	60

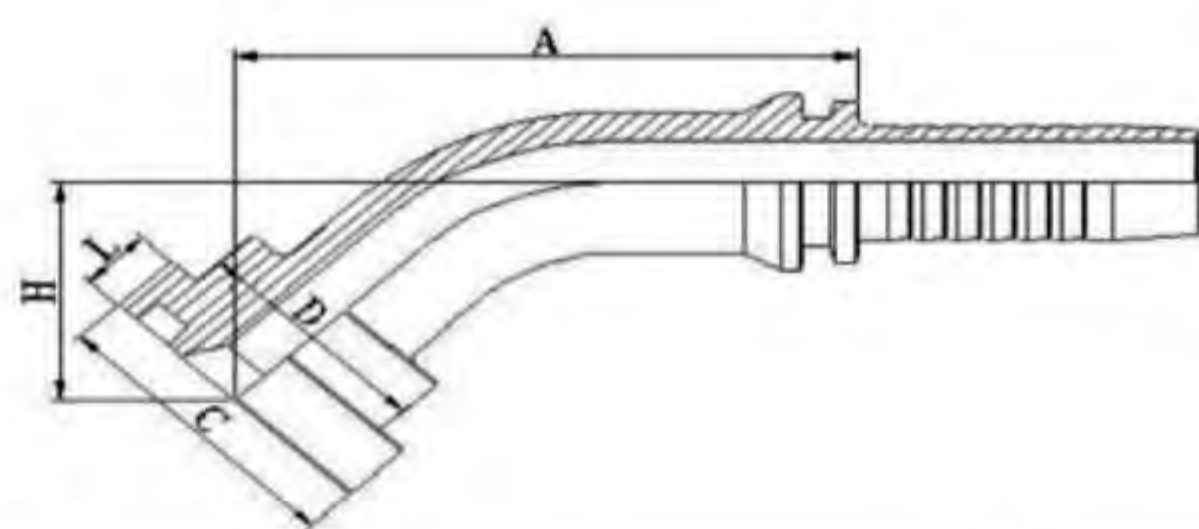
注: 1.上述代号用于编织软管。 2. 如需用于缠绕软管代号改为 24292-xx-xx。
 NOTE : 1. FOR USE WITH BRAIDED HOSES 2. IF USE WITH SPIRAL HOSES , HOSE FITTINGS
 SERIES NUMBER IS 24292-XX-XX.



87312
 SAE 法兰 3000PSI
 SAE FLANGE 3000 PSI
 ISO 12151-3—SAE J516

代 号	法兰型号	软 管		尺 寸			
		公称内径	标 号	A	C	D	L
87312-08-08	1/2"	12	08	45.5	30.2	24	6.73
87312-12-08	3/4"	12	08	47.5	38.1	31.7	6.73
87312-12-10	3/4"	16	10	49	38.1	31.7	6.73
87312-12-12	3/4"	20	12	48.5	38.1	31.7	6.73
87312-12-16	3/4"	25	16	49	38.1	31.7	6.73
87312-16-12	1"	20	12	51	44.4	38	8
87312-16-16	1"	25	16	48	44.4	38	8
87312-16-20	1"	32	20	53	44.4	38	8
87312-20-16	1.1/4"	25	16	57	50.8	43	8
87312-20-20	1.1/4"	32	20	56	50.8	43	8
87312-24-20	1.1/2"	32	20	68	60.3	50	8
87312-24-24	1.1/2"	40	24	74	60.3	50	8
87312-32-24	2"	40	24	70	71.4	62	9.53
87312-32-32	2"	50	32	70	71.4	62	9.53
87312-40-40	2.1/2"	64	40	76	84.1	74	9.53

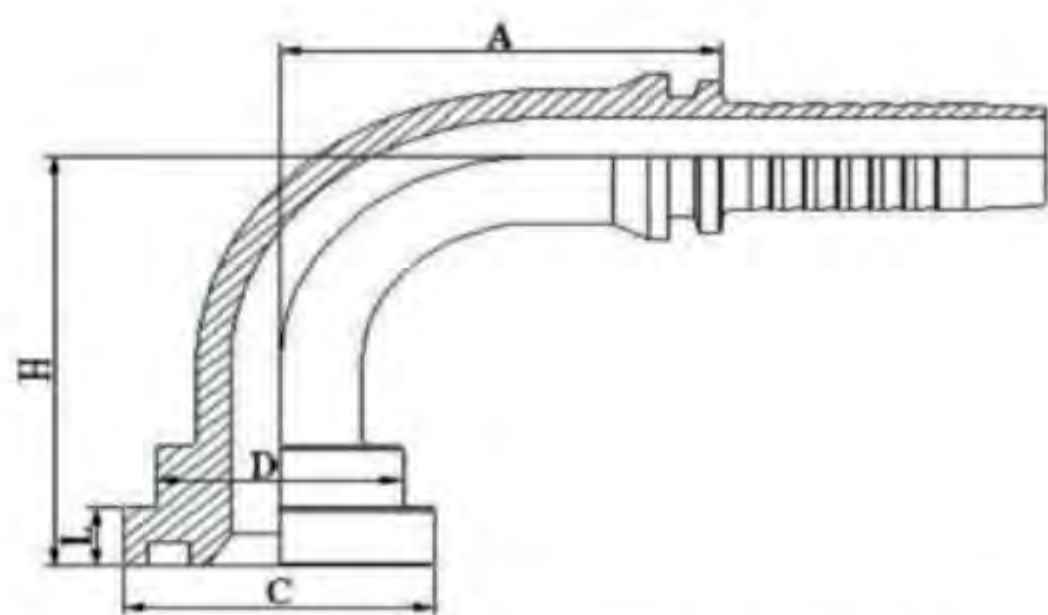
注: 1. 上述代号用于编织软管。 2. 如需用于缠绕软管代号改为 87312-xx-xx。
 NOTE : 1. FOR USE WITH BRAIDED HOSES 2. IF USE WITH SPIRAL HOSES , HOSE FITTINGS SERIES NUMBER IS 87312-XX-XX.



87342
 45° SAE 法兰 3000PSI
 45°SAE FLANGE 3000 PSI
 ISO 12151-3—SAE J516

代 号	法兰型号	软 管		尺 寸				
		公称内径	标 号	A	C	D	H	L
87342-08-08	1/2"	12	08	56.5	30.2	24	23.5	6.73
87342-12-08	3/4"	12	08	58.9	38.1	31.7	24	6.73
87342-12-10	3/4"	16	10	69.9	38.1	31.7	25.3	6.73
87342-12-12	3/4"	20	12	73.5	38.1	31.7	29.5	6.73
87342-16-12	1"	20	12	76.3	44.4	38	28.9	8
87342-16-16	1"	25	16	83.	44.4	38	31	8
87342-16-20	1"	32	20	94.5	44.4	38	33.8	8
87342-20-16	1.1/4"	25	16	82	50.8	43	30.5	8
87342-20-20	1.1/4"	32	20	95	50.8	43	36	8
87342-24-20	1.1/2"	32	20	95.9	60.3	50	35.2	8
87342-24-24	1.1/2"	40	24	108	60.3	50	42	8
87342-32-24	2"	40	24	109.9	71.4	62	39.1	9.53
87342-32-32	2"	50	32	129.3	71.1	62	43	9.53

注: 1. 上述代号用于编织软管。 2. 如需用于缠绕软管代号改为 87342-xx-xx。
 NOTE : 1. FOR USE WITH BRAIDED HOSES 2. IF USE WITH SPIRAL HOSES , HOSE FITTINGS SERIES NUMBER IS 87342-XX-XX.

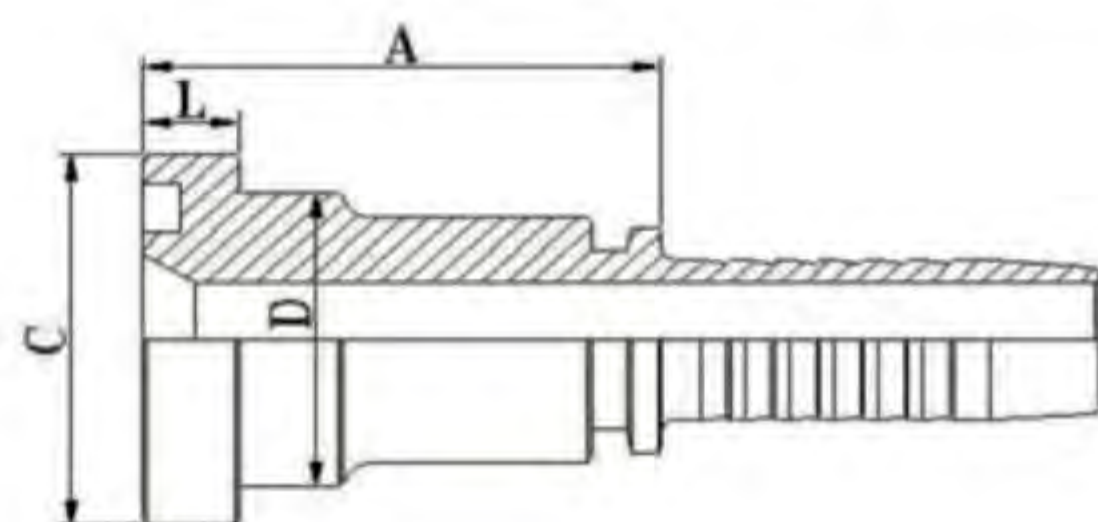


87392
 90° SAE 法兰 3000PSI
 90°SAE FLANGE 3000 PSI
 ISO 12151-3—SAE J516

代 号	法兰型号	软 管		尺 寸				
		公称内径	标 号	A	C	D	H	L
87392-08-08	1/2"	12	08	42.5	30.2	24	48	6.73
87392-12-08	3/4"	12	08	42.5	38.1	31.7	50	6.73
87392-12-10	3/4"	16	10	56	38.1	31.7	52.5	6.73
87392-12-12	3/4"	20	12	60.5	38.1	31.7	62.5	6.73
87392-12-16	3/4"	25	16	76.7	38.1	31.7	67.5	6.73
87392-16-12	1"	20	12	65.5	44.4	38	62	8
87392-16-16	1"	25	16	66	44.4	38	74	8
87392-16-20	1"	32	20	91.5	44.4	38	78.5	8
87392-20-16	1.1/4"	25	16	76.7	50.8	43	67.5	8
87392-20-20	1.1/4"	32	20	75	50.8	43	86	8
87392-20-24	1.1/4"	40	24	107	50.8	43	78.5	8
87392-24-20	1.1/2"	32	20	75	60.3	50	90	8
87392-24-24	1.1/2"	40	24	89	60.3	50	102	8
87392-32-24	2"	40	24	109.4	71.4	62	94	9.53
87392-32-32	2"	50	32	115.5	71.4	62	129.5	9.53
87392-40-40	2.1/2"	64	40	131.8	84.1	74.4	116.3	9.53

注: 1.上述代号用于编织软管。 2. 如需用于缠绕软管代号改为 87392-xx-xx。

NOTE : 1. FOR USE WITH BRAIDED HOSES 2. IF USE WITH SPIRAL HOSES , HOSE FITTINGS SERIES NUMBER IS 87392-XX-XX.

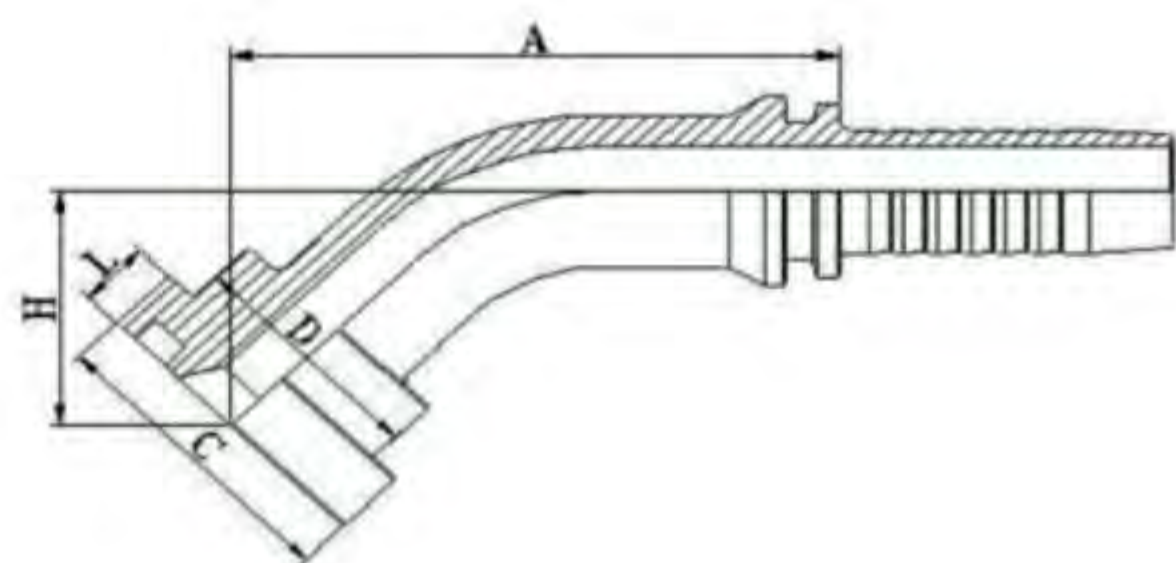


87612
 SAE 法兰 6000PSI
 SAE FLANGE 6000 PSI
 ISO 12151-3—SAE J516

代 号	法兰型号	软 管		尺 寸				
		公称内径	标 号	A	C	D	L	
87612-08-08	1/2"	12	08	47.5	31.7	24	7.75	
87612-12-10	3/4"	16	10	50.5	41.3	32	8.76	
87612-12-12	3/4"	20	12	51.5	41.3	32	8.76	
87612-16-12	1"	20	12	56	47.6	38	9.53	
87612-16-16	1"	25	16	52.5	47.6	38	9.53	
87612-16-20	1"	32	20	61	47.6	38	9.53	
87612-20-16	1.1/4"	25	16	65	54	44	10.29	
87612-20-20	1.1/4"	32	20	62	54	44	10.29	
87612-24-20	1.1/2"	32	20	75	63.5	51	12.57	
87612-24-24	1.1/2"	40	24	79	63.5	51	12.57	
87612-32-24	2"	40	24	85	79.4	67	12.57	
87612-32-32	2"	50	32	79	79.4	67	12.57	

注: 1.上述代号用于编织软管。 2. 如需用于缠绕软管代号改为 87612-xx-xx。

NOTE : 1. FOR USE WITH BRAIDED HOSES 2. IF USE WITH SPIRAL HOSES , HOSE FITTINGS SERIES NUMBER IS 87612-XX-XX.



87642

45° SAE 法兰 6000PSI

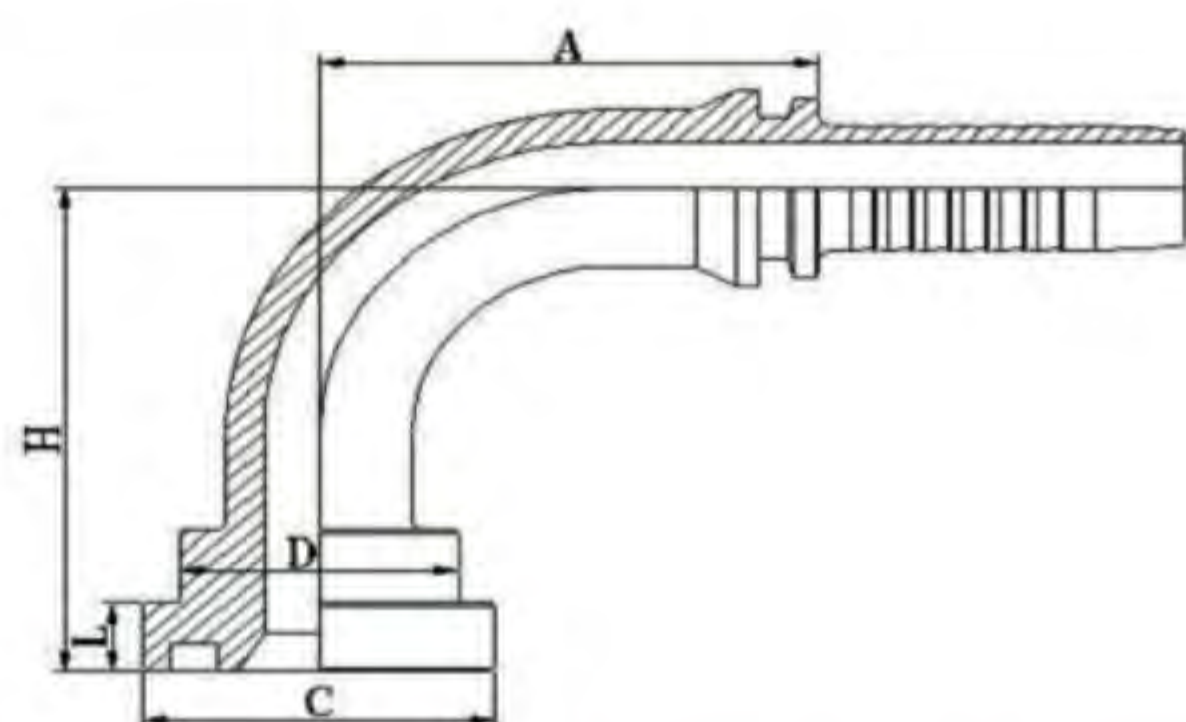
45° SAE FLANGE 6000 PSI

ISO 12151-3—SAE J516

代 号	法兰型号	软 管		尺 寸				
		公称内径	标 号	A	C	D	H	L
87642-08-08	1/2"	12	08	57.5	31.7	24	25	7.75
87642-08-12	1/2"	20	12	77	31.7	24	29.6	7.75
87642-12-10	3/4"	16	10	72.5	41.3	32	28.2	8.76
87642-12-12	3/4"	20	12	75.5	41.3	32	32	8.76
87642-16-16	1"	25	16	86	47.6	38	34.	9.53
87642-20-20	1.1/4"	32	20	100	54	44	40	10.29
87642-24-20	1.1/2"	32	20	105.8	63.5	51	45.1	12.57
87642-24-24	1.1/2"	40	24	112	63.5	51	46	12.57
87642-32-24	2"	40	24	125.4	79.4	67	54.7	12.57
87642-32-32	2"	50	32	143	79.4	67	49	12.57

注: 1.上述代号用于编织软管。 2. 如需用于缠绕软管代号改为 87642-xx-xx。

NOTE : 1. FOR USE WITH BRAIDED HOSES 2. IF USE WITH SPIRAL HOSES , HOSE FITTINGS SERIES NUMBER IS 87642-XX-XX.



87692

90° SAE 法兰 6000PSI

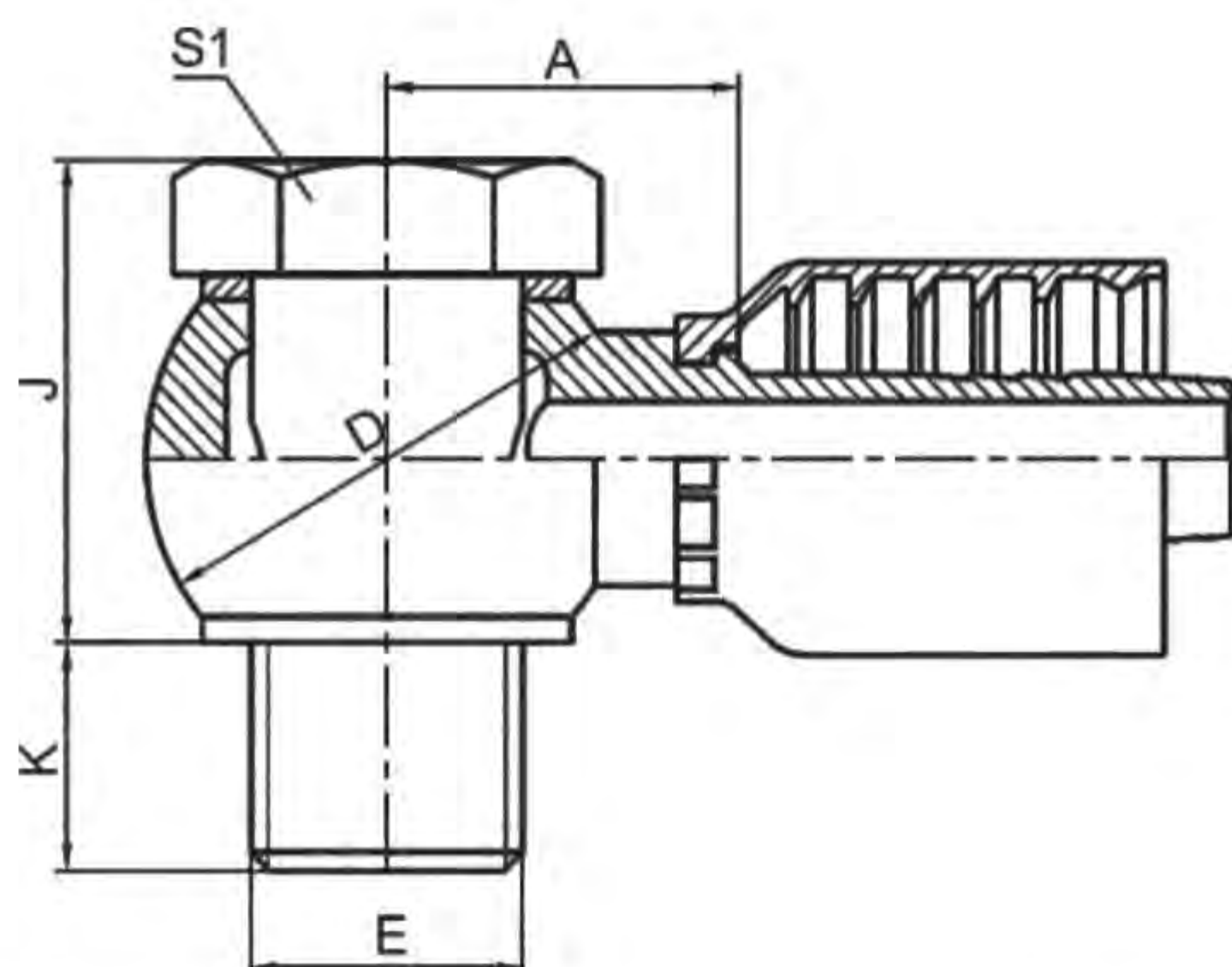
90° SAE FLANGE 6000 PSI

ISO 12151-3—SAE J516

代 号	法兰型号	软 管		尺 寸				
		公称内径	标 号	A	C	D	H	L
87692-08-08	1/2"	12	08	42.5	31.7	24	50	7.75
87692-12-10	3/4"	16	10	56	41.3	32	56.5	8.76
87692-12-12	3/4"	20	12	50.5	41.3	32	65.5	8.76
87692-16-12	1"	20	12	65.5	47.6	38	69	9.53
87692-16-16	1"	25	16	66	47.6	38	78	9.53
87692-16-20	1"	32	20	91.5	47.6	38	85.5	9.53
87692-20-16	1.1/4"	25	16	76.7	54	44	78.5	10.29
87692-20-20	1.1/4"	32	20	75	54	44	92	10.29
87692-24-20	1.1/2"	32	20	91.5	63.5	51	94.5	12.57
87692-24-24	1.1/2"	40	24	89	63.5	51	107	12.57
87692-32-24	2"	40	24	109.4	79.4	67	116	12.57
87692-32-32	2"	50	32	115.5	79.4	67	138.5	12.57

注: 1.上述代号用于编织软管。 2. 如需用于缠绕软管代号改为 87692-xx-xx。

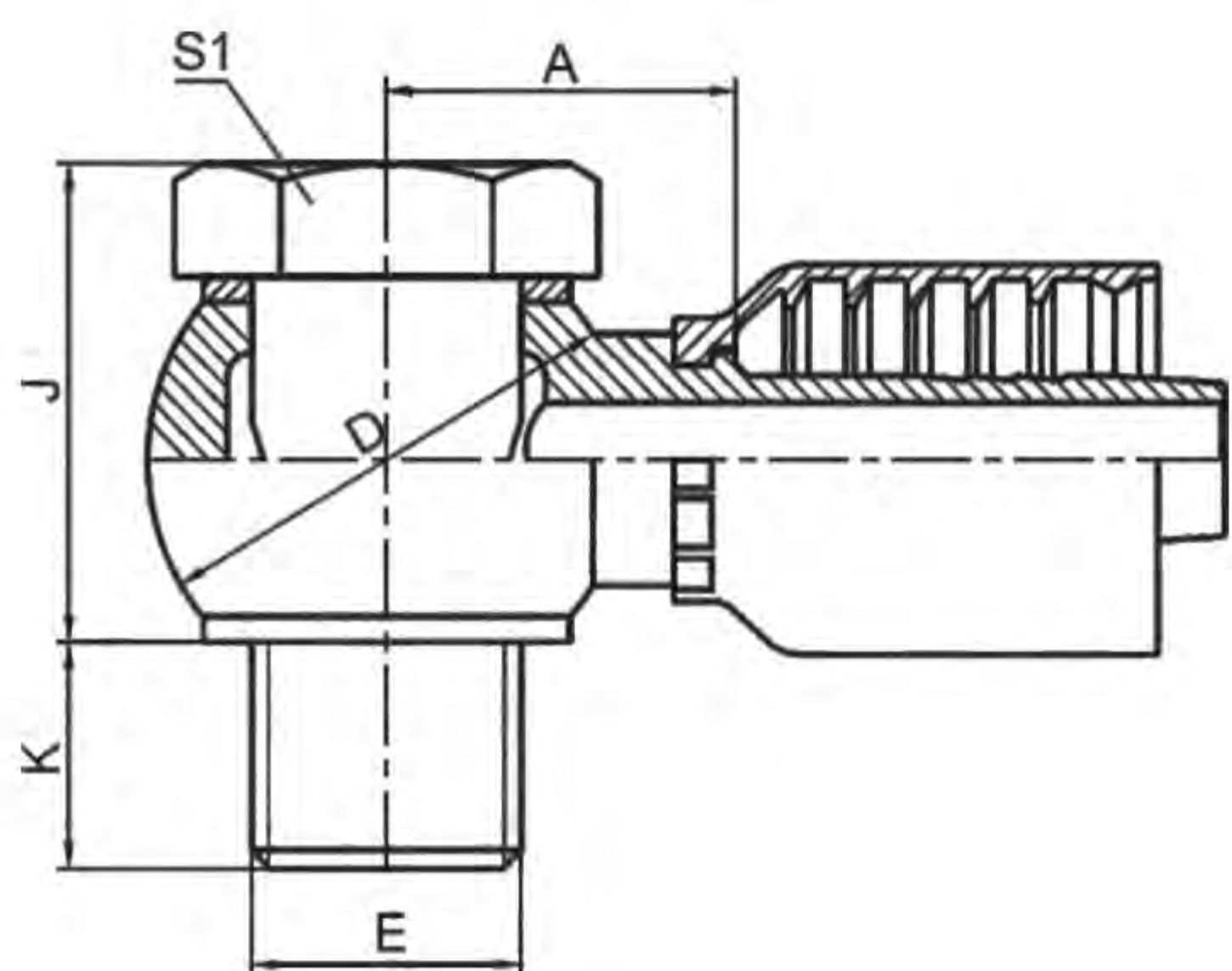
NOTE : 1. FOR USE WITH BRAIDED HOSES 2. IF USE WITH SPIRAL HOSES , HOSE FITTINGS SERIES NUMBER IS 87692-XX-XX.



70011-RW/70012-RW

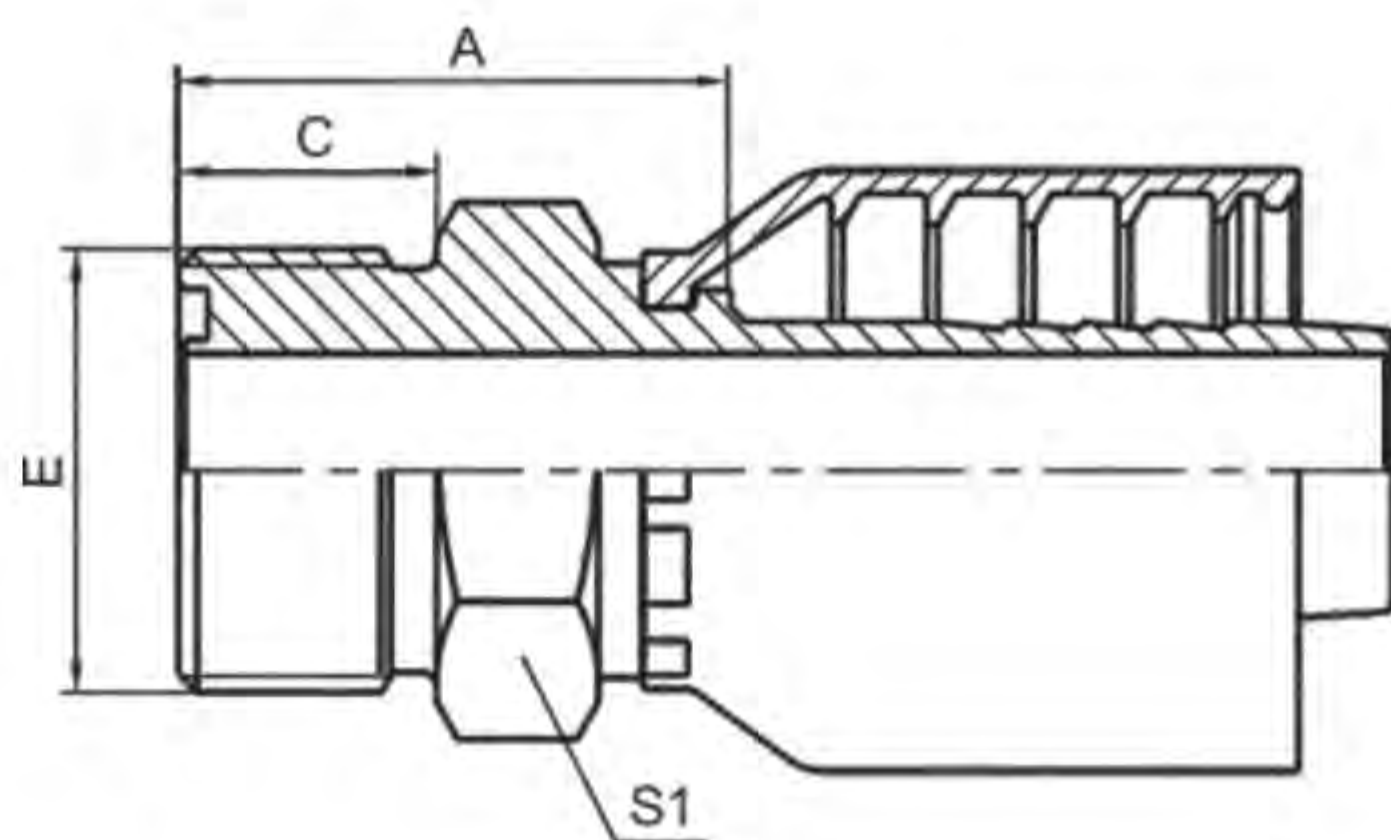
公制铰接体
METRIC BANJO
DIN 7642

代号 PART NO.		螺纹E	胶管HOSE BORE		组合垫	尺寸 DIMENSIONS				
编织 BRAIDED	缠绕 SPIRAL	THREADE	公称内径 DN	标号 DASH	BONDED	A	D	J	K	S1
70011-10-04RW	—	M10X1	6	04	ZHD-10	18.5	17	20	5	14
70011-12-04RW	—	M12X1.5	6	04	ZHD-12	22	20	22	8	17
70011-12-05RW	—	M12X1.5	8	05	ZHD-12	22	20	22	8	17
70011-12-06RW	—	M12X1.5	10	06	ZHD-12	21.5	20	22	8	17
70011-14-04RW	—	M14X1.5	6	04	ZHD-14	22.5	24	24	8	19
70011-14-05RW	—	M14X1.5	8	05	ZHD-14	22.5	24	24	8	19
70011-14-06RW	—	M14X1.5	10	06	ZHD-14	22	24	24	8	19
70011-16-04RW	—	M16X1.5	6	04	ZHD-16	22	28	26	8	22
70011-16-05RW	—	M16X1.5	8	05	ZHD-16	22	28	26	8	22
70011-16-06RW	—	M16X1.5	10	06	ZHD-16	21.5	28	26	8	22
70011-18-04RW	—	M18X1.5	6	04	ZHD-18	24.5	32	30	8	24
70011-18-05RW	—	M18X1.5	8	05	ZHD-18	25.5	32	30	8	24
70011-18-06RW	—	M18X1.5	10	06	ZHD-18	25	32	30	8	24
70011-18-08RW	70012-18-08RW	M18X1.5	12	08	ZHD-18	25	32	30	8	24
70011-22-06RW	—	M22X1.5	10	06	ZHD-22	29.1	39	36	10	27
70011-22-08RW	70012-22-08RW	M22X1.5	12	08	ZHD-22	29	39	36	10	27
70011-22-10RW	70012-22-10RW	M22X1.5	16	10	ZHD-22	29.5	39	36	10	27
70011-26-12RW	70012-26-12RW	M26X1.5	20	12	ZHD-26	32.5	46	41	11	32
70011-30-16RW	70012-30-16RW	M30X1.5	25	16	ZHD-30	39.2	54	47	11	36
70011-30-20RW	70012-30-20RW	M30X1.5	32	20	ZHD-30	41.2	54	47	11	36



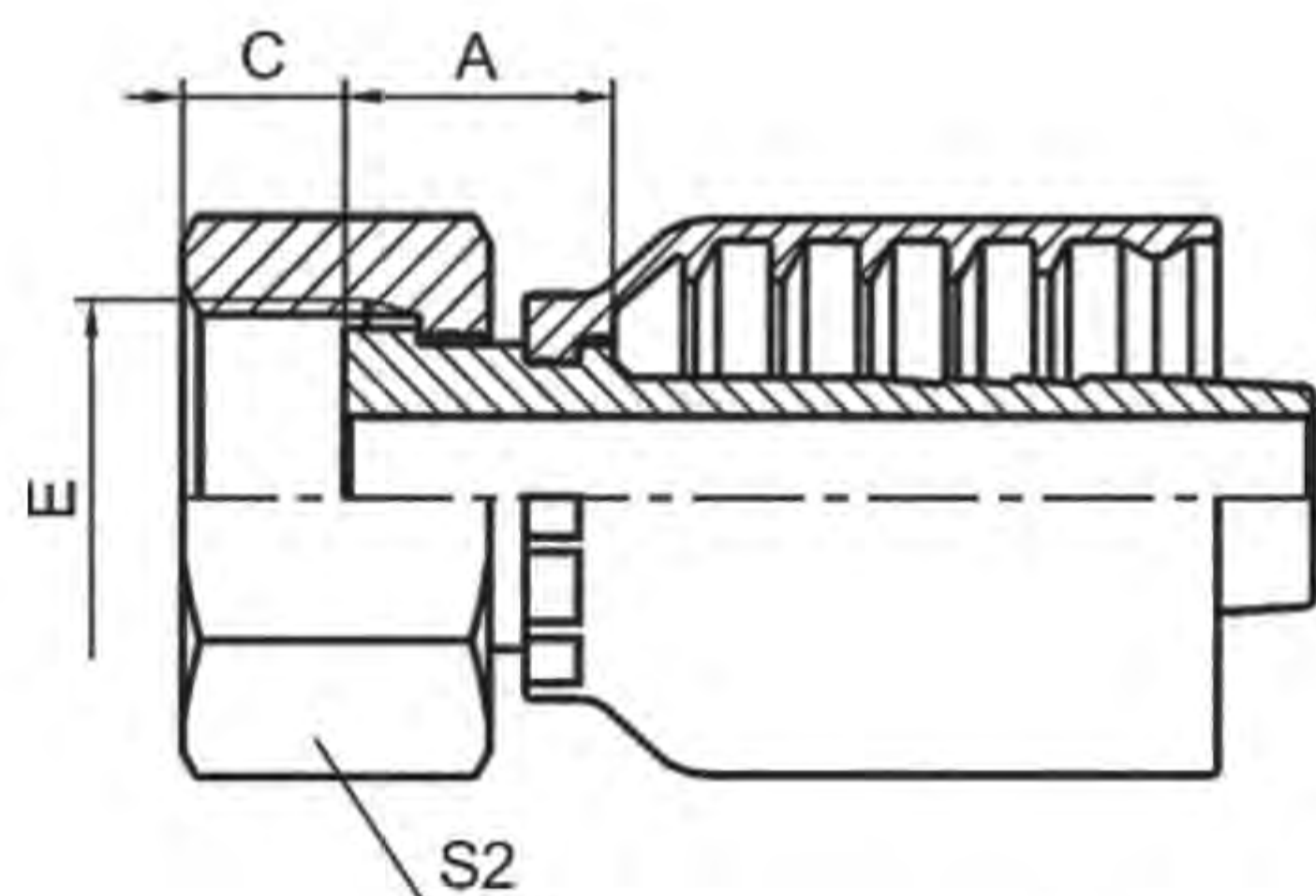
72011-RW/72012-RW
英制铰接体
BSP BANJO

代号 PART NO.		螺纹 E	胶管 HOSE BORE		组合垫	尺寸 DIMENSIONS				
编织 BRAIDED	缠绕 SPIRAL	THREAD E	公称内径 DN	标号 DASH	BONDED	A	D	J	K	S1
72011-02-04RW	—	G1/8"X28	6	04	ZHD-10	20	22	24.8	9.5	14
72011-04-04RW	—	G1/4"X19	6	04	ZHD-14	21	24	25	9.5	19
72011-04-05RW	—	G1/4"X19	8	05	ZHD-14	21	24	25	9.5	19
72011-04-06RW	—	G1/4"X19	10	06	ZHD-14	20.5	24	25	9.5	19
72011-06-04RW	—	G3/8"X19	6	04	ZHD-18	23.5	29	31	14.5	22
72011-06-05RW	—	G3/8"X19	8	05	ZHD-18	23.5	29	31	14.5	22
72011-06-06RW	—	G3/8"X19	10	06	ZHD-18	23	29	31	14.5	22
72011-06-08RW	72012-06-08RW	G3/8"X19	12	08	ZHD-18	23.5	29	31	14.5	22
72011-08-05RW	—	G1/2"X14	8	05	ZHD-22	29	38	37.5	15	27
72011-08-06RW	—	G1/2"X14	10	06	ZHD-22	28.5	38	37.5	15	27
72011-08-08RW	72012-08-08RW	G1/2"X14	12	08	ZHD-22	28.5	38	37.5	15	27
72011-08-10RW	72012-08-10RW	G1/2"X14	16	10	ZHD-22	30.5	38	37.5	15	27
72011-10-10RW	72012-10-10RW	G5/8"X14	16	10	ZHD-G10	29.5	40	41	17.5	30
72011-12-10RW	72012-12-10RW	G3/4"X14	16	10	ZGD-27	33.5	48	45	21	32
72011-12-12RW	72012-12-12RW	G3/4"X14	20	12	ZHD-27	32	48	45	21	32
72011-16-08RW	72012-16-08RW	G1"X11	12	08	ZHD-33	40.5	60	59	22.5	41
72011-16-12RW	72012-16-12RW	G1"X11	20	12	ZHD-33	40	60	59	22.5	41
72011-16-16RW	72012-16-16RW	G1"X11	25	16	ZHD-33	43.2	60	59	22.5	41



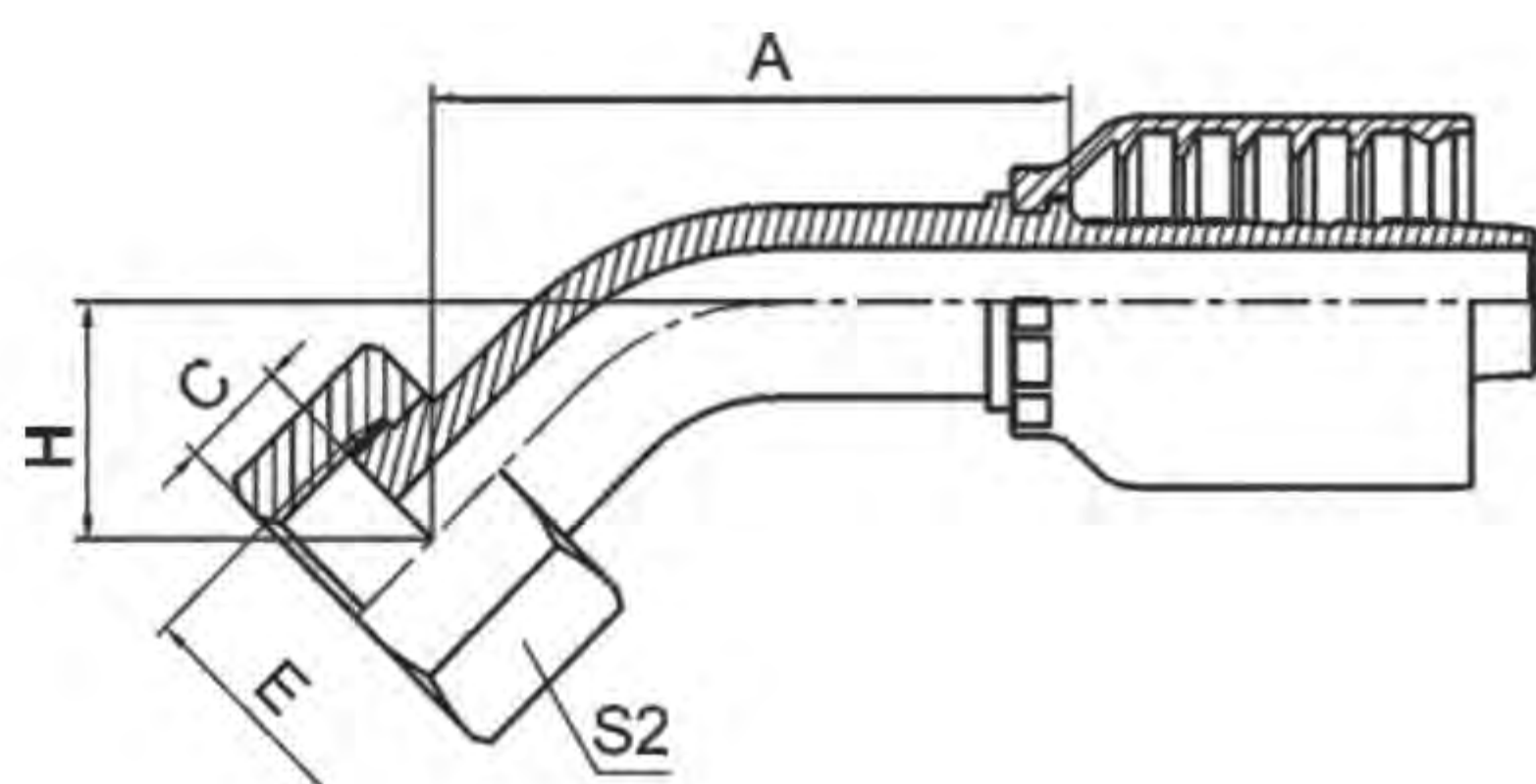
10311-RW/10312-RW
公制外螺纹平面O形圈密封
O-RING METRIC MALE FLAT SEAL
参考REF.JB/T 988

代号 PART NO.		螺纹E	胶管HOSE BORE		尺寸 DIMENSIONS			
编织 BRAIDED	缠绕 SPIRAL	THREADE	公称内径 DN	标号 DASH		A	C	S1
10311-12-04RW	—	M12X1.25	6	04		22	10	14
10311-14-04RW	—	M14X1.5	6	04		23	11	14
10311-16-04RW	—	M16X1.5	6	04		23	11	17
10311-16-05RW	—	M16X1.5	8	05		23	11	17
10311-16-06RW	—	M16X1.5	10	06		22.5	11	17
10311-18-06RW	—	M18X1.5	10	06		22.5	11	19
10311-22-05RW	—	M22X1.5	8	05		26	12	24
10311-22-06RW	—	M22X1.5	10	06		25.5	12	24
10311-22-08RW	10312-22-08RW	M22X1.5	12	08		26.5	12	24
10311-27-10RW	10312-27-10RW	M27X1.5	16	10		30	13	30
10311-30-12RW	10312-30-12RW	M30X1.5	20	12		31	14	32
10311-36-12RW	10312-36-12RW	M36X2	20	12		33	16	38
10311-36-16RW	10312-36-16RW	M36X2	25	16		36.2	16	38
10311-39-16RW	10312-39-16RW	M39X2	25	16		38.2	16	41
10311-45-20RW	10312-45-20RW	M45X2	32	20		42.2	20	46
10311-52-24RW	10312-52-24RW	M52X2	40	24		47	22	55
10311-64-32RW	10312-64-32RW	M64X2	50	32		57.5	27	65



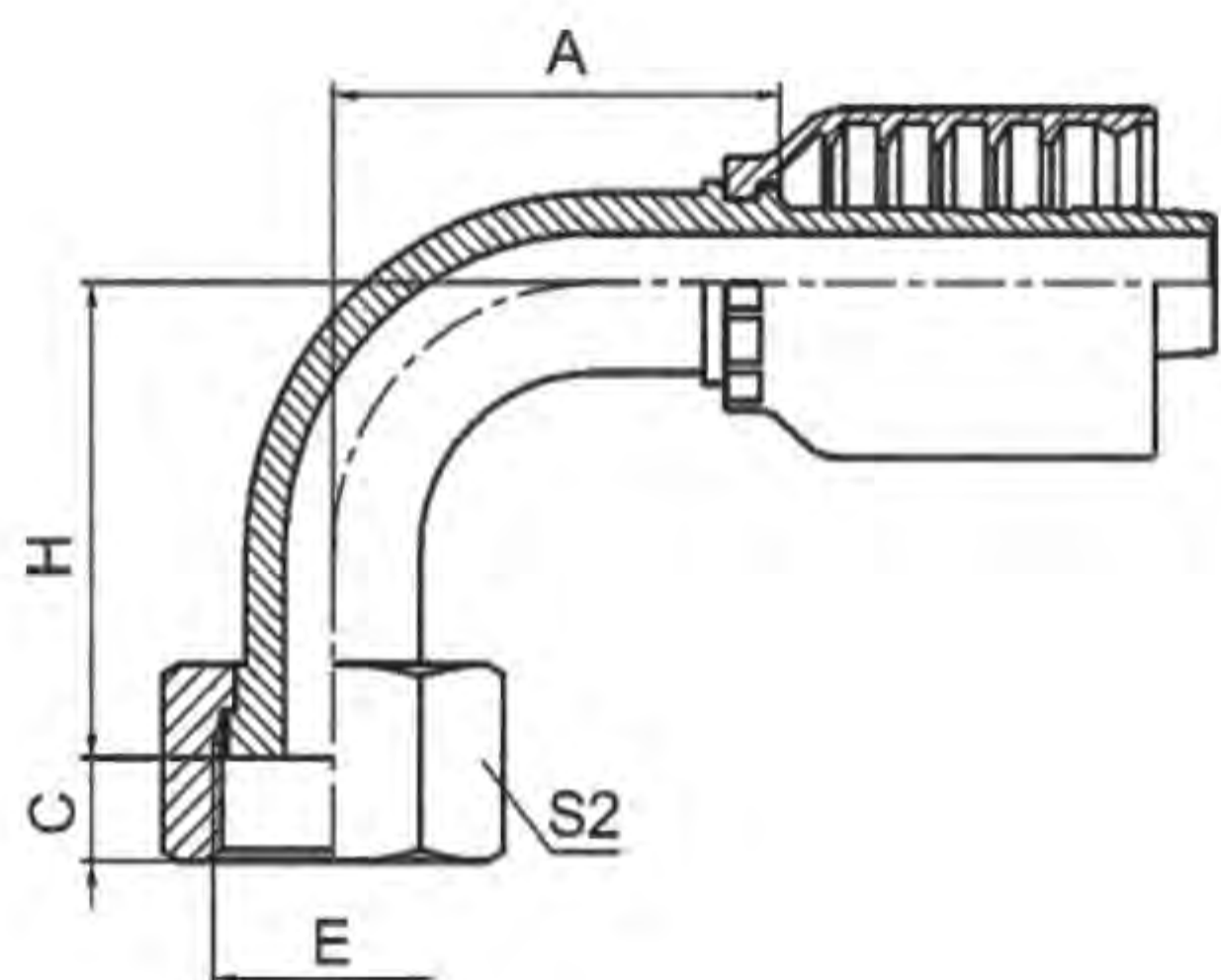
20211-RW/20212-RW
公制内螺纹平面
METRIC FEMALE FLAT SEAT
参考 REF GB/T 9065.3

代号 PART NO.		螺纹E	胶管HOSE BORE		尺寸 DIMENSIONS		
编织 BRAIDED	缠绕 SPIRAL	THREAD E	公称内径 DN	标号 DASH	A	C	S2
20211-14-04TRW	—	M14X1.5	6	04	14.5	8	19
20211-14-05RW	—	M14X1.5	8	05	17	10	19
20211-16-04TRW	—	M16X1.5	6	04	14.5	9	22
20211-16-05TRW	—	M16X1.5	8	05	14.5	9	22
20211-16-06RW	—	M16X1.5	10	06	18	8	22
20211-18-04TRW	—	M18X1.5	6	04	15	10.5	24
20211-18-05TRW	—	M18X1.5	8	05	15	10.5	24
20211-18-06TRW	—	M18X1.5	10	06	14.5	10.5	24
20211-20-06TRW	—	M20X1.5	10	06	16	10	24
20211-20-08RW	20212-20-08RW	M20X1.5	12	08	20.5	10	27
20211-22-06TRW	—	M22X1.5	10	06	16	10	27
20211-22-08TRW	20212-22-08TRW	M22X1.5	12	08	17	10	27
20211-22-10RW	20212-22-10RW	M22X1.5	16	10	21	10	27
20211-24-08TRW	20212-24-08TRW	M24X1.5	12	08	17	11	30
20211-24-10RW	20212-24-10RW	M24X1.5	16	10	21.5	10.5	30
20211-27-08TRW	20212-27-08TRW	M27X1.5	12	08	18.3	10	32
20211-27-10TRW	20212-27-10TRW	M27X1.5	16	10	18.8	10	32
20211-27-12RW	20212-27-12RW	M27X1.5	20	12	22	10	32
20211-30-10TRW	20212-30-10TRW	M30X1.5	16	10	20	10.5	36
20211-30-12TRW	20212-30-12TRW	M30X1.5	20	12	19	10.5	36
20211-36-12TRW	20212-36-12TRW	M36X2.0	20	12	20.5	13	41
20211-36-16TRW	20212-36-16TRW	M36X2.0	25	16	23.7	13	41
20211-39-16TRW	20212-39-16TRW	M39X2.0	25	16	23.7	13	46
20211-42-16TRW	20212-42-16TRW	M42X2.0	25	16	24.7	15	50
20211-45-20TRW	20212-45-20TRW	M45X2.0	32	20	23.7	15	55
20211-52-24TRW	20212-52-24TRW	M52X2.0	40	24	24.5	17	60
20211-60-24TRW	20212-60-24TRW	M60X2.0	40	24	24.5	19	70
20211-64-32TRW	20212-64-32TRW	M64X2.0	51	32	29	23	75



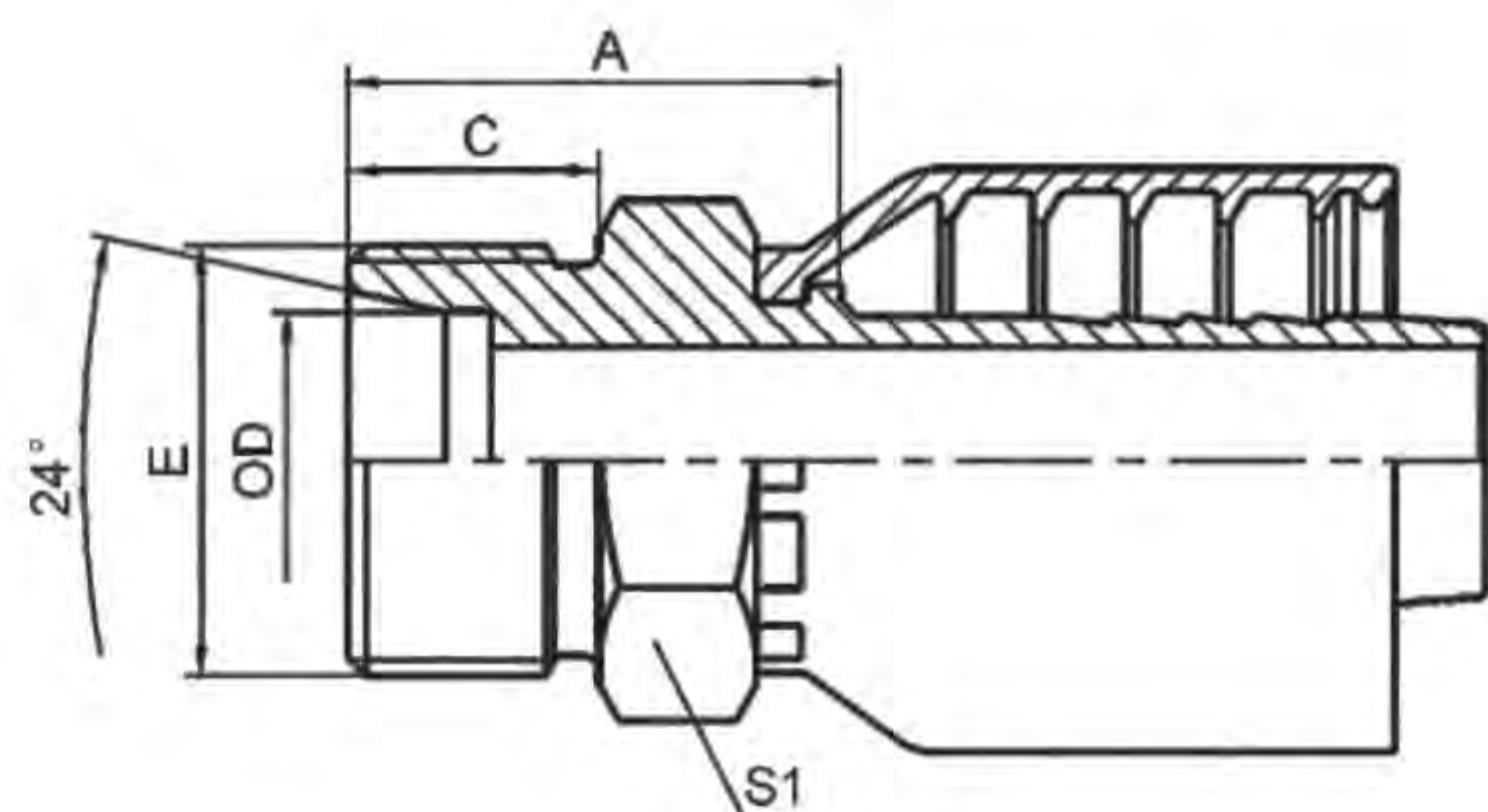
20241-RW/20242-RW
45° 公制内螺纹平面
45° METRIC FEMALE FLAT SEAT
参考 REF GB/T 9065.3

代号 PART NO.		螺纹E	胶管HOSE BORE		尺寸 DIMENSIONS			
编织 BRAIDED	缠绕 SPIRAL	THREAD E	公称内径 DN	标号 DASH	A	C	H	S2
20241-14-04TRW	—	M14X1.5	6	04	40.6	8	17	19
20241-14-05RW	—	M14X1.5	8	05	44.1	10	19.3	19
20241-16-04TRW	—	M16X1.5	6	04	40.6	9	17	22
20241-16-05TRW	—	M16X1.5	8	05	42.7	9	17.9	22
20241-16-06RW	—	M16X1.5	10	06	45.9	8	20.7	22
20241-18-04TRW	—	M18X1.5	6	04	41	10.5	17.4	24
20241-18-05TRW	—	M18X1.5	8	05	43.1	10.5	18.3	24
20241-18-06TRW	—	M18X1.5	10	06	44.2	10.5	19	24
20241-20-06TRW	—	M20X1.5	10	06	45.2	10	20	24
20241-20-08RW	20242-20-08RW	M20X1.5	12	08	60.4	10	24	27
20241-22-06TRW	—	M22X1.5	10	06	45.2	10	20	27
20241-22-08TRW	20242-22-08TRW	M22X1.5	12	08	57.9	10	21.5	27
20241-22-10RW	20242-22-10RW	M22X1.5	16	10	70.6	10	25.3	27
20241-24-08TRW	20242-24-08TRW	M24X1.5	12	08	57.9	11	21.5	30
20241-24-10RW	20242-24-10RW	M24X1.5	16	10	71	10.5	25.7	30
20241-27-08TRW	20242-27-08TRW	M27X1.5	12	08	58.8	10	22.4	32
20241-27-10TRW	20242-27-10TRW	M27X1.5	16	10	69	10	23.7	32
20241-27-12RW	20242-27-12RW	M27X1.5	20	12	75	10	29.2	32
20241-30-10TRW	20242-30-10TRW	M30X1.5	16	10	69.9	10.5	24.6	36
20241-30-12TRW	20242-30-12TRW	M30X1.5	20	12	73.2	10.5	27.4	36
20241-33-16RW	20242-33-16RW	M33X1.5	25	16	87.9	13.5	31.5	41
20241-36-12TRW	20242-36-12TRW	M36X2.0	20	12	74.3	13	28.5	41
20241-36-16TRW	20242-36-16TRW	M36X2.0	25	16	86.5	13	30.1	41
20241-39-16TRW	20242-39-16TRW	M39X2.0	25	16	86.5	13	30.1	46
20241-42-16TRW	20242-42-16TRW	M42X2.0	25	16	87.2	15	30.8	50
20241-45-20TRW	20242-45-20TRW	M45X2.0	32	20	96.1	15	34.2	55
20241-52-24TRW	20242-52-24TRW	M52X2.0	40	24	110.8	17	38.1	60
20241-60-24TRW	20242-60-24TRW	M60X2.0	40	24	110.8	19	38.1	70
20241-64-32TRW	20242-64-32TRW	M64X2.0	51	32	135.8	23	46	75



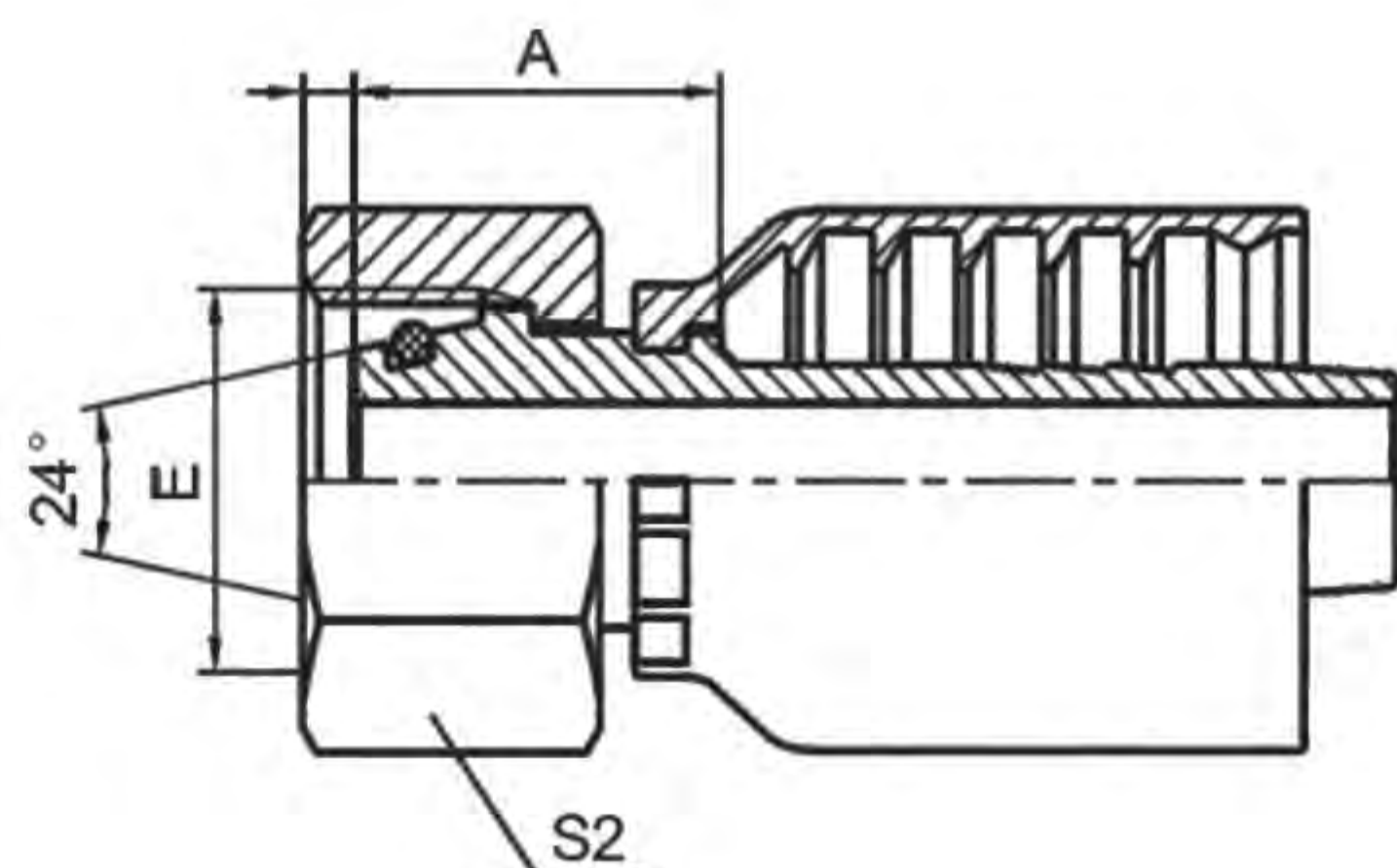
20291-RW/20292-RW
 90° 公制内螺纹平面
 90° METRIC FEMALE FLAT SEAT
 参考 REF GB/T 9065.3

代号 PART NO.		螺纹E	胶管HOSE BORE		尺寸 DIMENSIONS			
编织 BRAIDED	缠绕 SPIRAL	THREAD E	公称内径 DN	标号 DASH	A	C	H	S2
20291-14-04TRW	—	M14X1.5	6	04	32	8	32	19
20291-14-05RW	—	M14X1.5	8	05	34.5	10	37	19
20291-16-05TRW	—	M16X1.5	8	05	35.5	9	35	22
20291-16-04TRW	—	M16X1.5	6	04	31.5	9	32	22
20291-16-06RW	—	M16X1.5	10	06	36.3	8	40.3	22
20291-18-06TRW	—	M18X1.5	10	06	37.3	10.5	37.8	24
20291-18-04TRW	—	M18X1.5	6	04	31.5	10.5	32.5	24
20291-18-05TRW	—	M18X1.5	8	05	33.5	10.5	35.5	24
20291-20-06TRW	—	M20X1.5	10	06	36.3	10	39.3	24
20291-20-08RW	20292-20-08RW	M20X1.5	12	08	41.5	10	48	27
20291-22-06TRW	—	M22X1.5	10	06	36.3	10	39.3	27
20291-22-08TRW	20292-22-08TRW	M22X1.5	12	08	41.5	10	44.5	27
20291-22-10RW	20292-22-10RW	M22X1.5	16	10	57.5	10	52.5	27
20291-24-08TRW	20292-24-08TRW	M24X1.5	12	08	41.5	11	44.5	30
20291-24-10RW	20292-24-10RW	M24X1.5	16	10	57.5	10.5	53	30
20291-27-10TRW	20292-27-10TRW	M27X1.5	16	10	57.5	10	50.3	32
20291-27-08TRW	20292-27-08TRW	M27X1.5	12	08	41.5	10	45.8	32
20291-27-12RW	20292-27-12RW	M27X1.5	20	12	62.5	10	60.5	32
20291-30-12TRW	20292-30-12TRW	M30X1.5	20	12	62.5	10.5	58	36
20291-30-10TRW	20292-30-10TRW	M30X1.5	16	10	57.5	10.5	51.5	36
20291-33-16RW	20292-33-16RW	M33X1.5	25	16	74.4	13.5	70	41
20291-36-12TRW	20292-36-12TRW	M36X2.0	20	12	62.5	13	59.5	41
20291-36-16TRW	20292-36-16TRW	M36X2.0	25	16	75.9	13	68	41
20291-39-16TRW	20292-39-16TRW	M39X2.0	25	10	79.2	13	53	46
20291-42-16TRW	20292-42-16TRW	M42X2.0	25	16	74.4	15	69	50
20291-45-20TRW	20292-45-20TRW	M45X2.0	32	20	92.7	15	79	55
20291-52-24TRW	20292-52-24TRW	M52X2.0	40	24	111.4	17	92.5	60
20291-60-24TRW	20292-60-24TRW	M60X2.0	40	24	111.4	19	92.5	70
20291-64-32TRW	20292-64-32TRW	M64X2.0	51	32	136.7	23	113.8	75



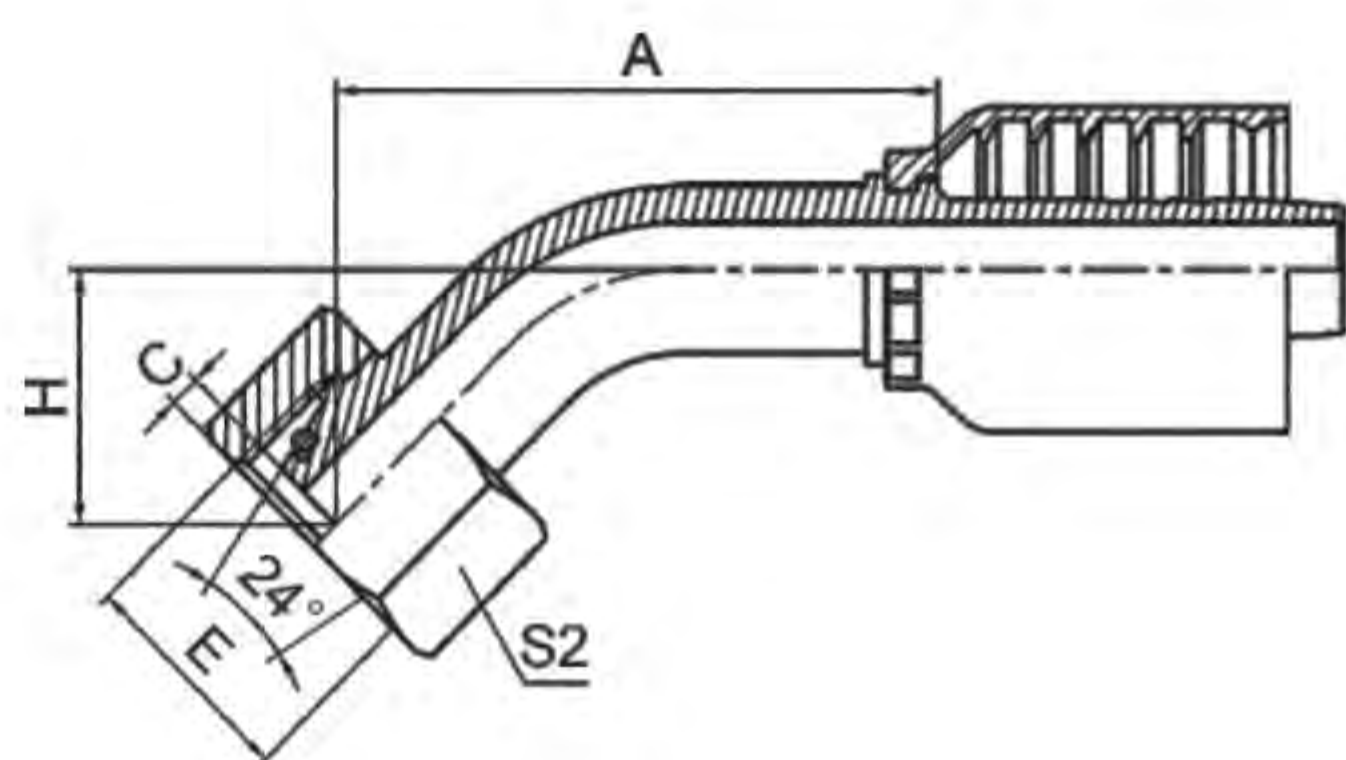
10411-RW/10412-RW
公制外螺纹平面24° 内锥面轻系列
METRIC MALE 24° CONE SEAT L.T. DIN 3853

代号 PART NO.		螺 纹E	胶管HOSE BORE		管子外径	尺寸 DIMENSIONS		
编织 BRAIDED	缠绕 SPIRAL	THREAD E	公称内径 DN	标号 DASH	TUBE O.D.	A	C	S1
10411-12-04RW	—	M12X1.5	6	04	6	20	10	12
10411-14-04RW	—	M14X1.5	6	04	8	21	10	14
10411-14-05RW	—	M14X1.5	8	05	8	21	10	14
10411-16-04RW	—	M16X1.5	6	04	10	22	11	17
10411-16-05RW	—	M16X1.5	8	04	10	22	11	17
10411-16-06RW	—	M16X1.5	10	06	10	21.5	11	17
10411-18-05RW	—	M18X1.5	8	05	12	23	11	19
10411-18-06RW	—	M18X1.5	10	06	12	22.5	11	19
10411-22-06RW	—	M22X1.5	10	06	15	23.5	12	24
10411-22-08RW	10412-22-08RW	M22X1.5	12	08	15	24.5	12	24
10411-26-08RW	10412-26-08RW	M26X1.5	12	08	18	25.5	12	27
10411-26-10RW	10412-26-10RW	M26X1.5	16	10	18	26	12	27
10411-30-10RW	10412-30-10RW	M30X2	16	10	22	28	14	32
10411-30-12RW	10412-30-12RW	M30X2	20	12	22	27	14	32
10411-36-16RW	10412-36-16RW	M36X2	25	16	28	31.2	14	38
10411-45-20RW	10412-45-20RW	M45X2	32	20	35	34.2	16	46
10411-52-24RW	10412-52-24RW	M52X2	40	24	42	37	16	55



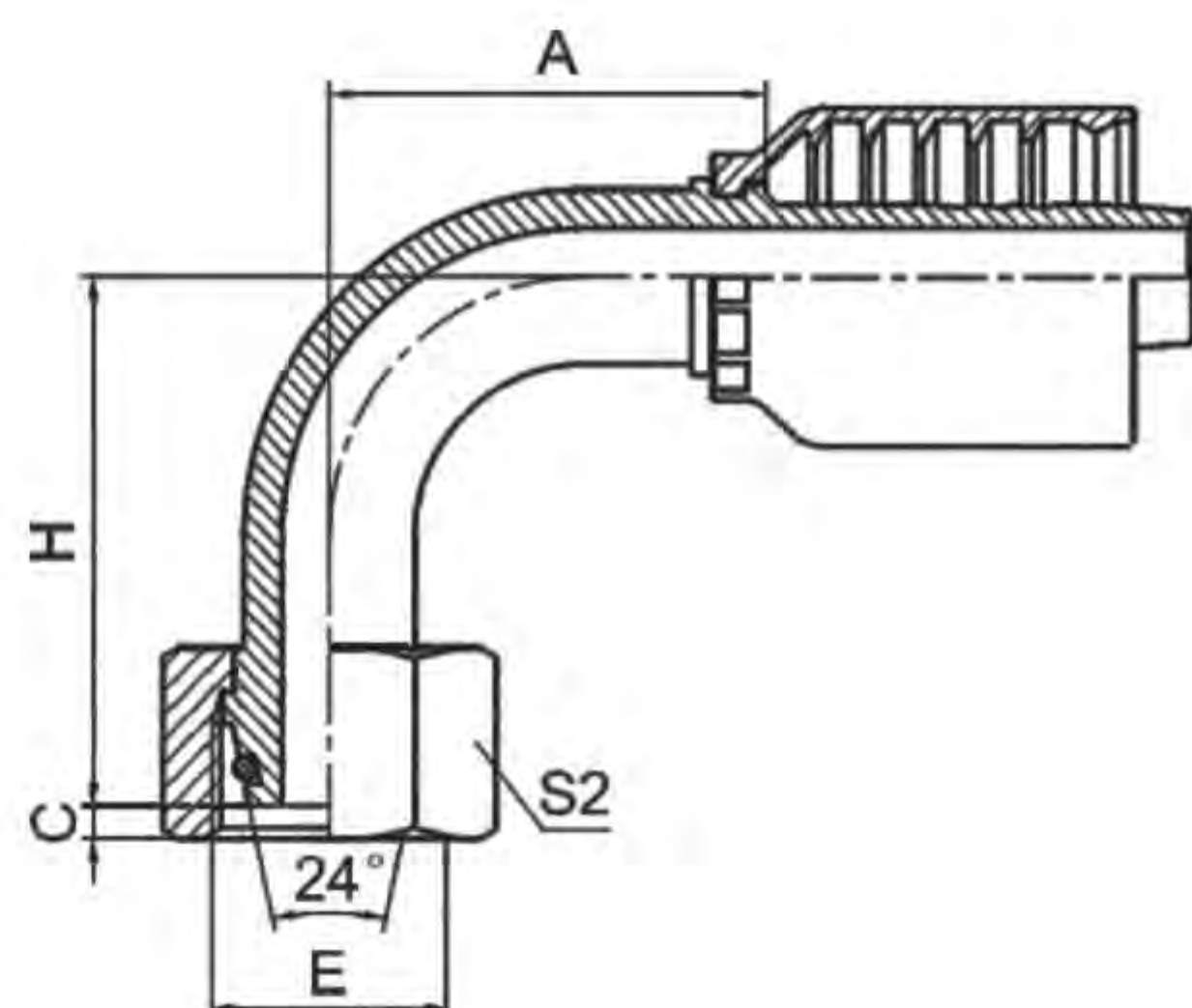
20411-RW/20412-RW
公制内螺纹24°锥带O形圈轻系列
METRIC FEMALE 24° CONE O-RING L.T.
ISO 12151-2、DIN 3865

代号 PART NO.		螺纹E	胶管HOSE BORE		管子外径	O形圈	尺寸 DIMENSIONS		
编织 BRAIDED	缠绕 SPIRAL	THREAD E	公称内径 DN	标号 DASH	TUBE O.D.	O RING	A	C	S2
20411-12-04WRW	—	M12X1.5	6	04	6	O04.5X1.5	23.6	1.4	17
20411-14-04TRW	—	M14X1.5	6	04	8	O06.5X1.5	19.1	1.4	17
20411-14-05WRW	—	M14X1.5	10	06	8	O06.5X1.5	23.7	1.4	17
20411-16-04TRW	—	M16X1.5	6	04	10	O08.0X1.5	19.7	2.1	19
20411-16-05TRW	—	M16X1.5	8	05	10	O08.0X1.5	19.7	2.1	19
20411-16-06WRW	—	M16X1.5	10	06	10	O08.0X1.5	24.5	2.1	19
20411-18-05TRW	—	M18X1.5	8	05	12	O10.0X1.5	21.5	1.5	22
20411-18-06TRW	—	M18X1.5	10	06	12	O10.0X1.5	21	1.5	22
20411-18-08WRW	20412-18-08WRW	M18X1.5	12	08	12	O10.0X1.5	26.2	1.8	22
20411-22-05TRW	—	M22X1.5	8	05	15	O12.0X2.0	22	3	27
20411-22-06TRW	—	M22X1.5	10	06	15	O12.0X2.0	21.5	3	27
20411-22-08TRW	20412-22-08TRW	M22X1.5	12	08	15	O12.0X2.0	22.5	3	27
20411-22-10WRW	20412-22-10WRW	M22X1.5	16	10	15	O12.0X2.0	27.1	3	27
20411-26-08TRW	20412-26-08TRW	M26X1.5	12	08	18	O15.0X2.0	23.4	2.1	32
20411-26-10TRW	20412-26-10TRW	M26X1.5	16	10	18	O15.0X2.0	23.9	2.1	32
20411-26-12WRW	20412-26-12WRW	M26X1.5	20	12	18	O15.0X2.0	27.4	2.1	32
20411-30-10TRW	20412-30-10TRW	M30X2	16	10	22	O20.0X2.0	26.7	3.8	36
20411-30-12TRW	20412-30-12TRW	M30X2	20	12	22	O20.0X2.0	25.7	3.8	36
20411-30-16WRW	20412-30-16WRW	M30X2	25	16	22	O20.0X2.0	32.5	3.8	36
20411-36-12TRW	20412-36-12TRW	M36X2	20	12	28	O26.0X2.0	25	4.5	41
20411-36-16TRW	20412-36-16TRW	M36X2	25	16	28	O26.0X2.0	28.2	4.5	41
20411-36-20WRW	20412-36-20WRW	M36X2	32	20	28	O26.0X2.0	33.3	4.5	41
20411-45-16TRW	20412-45-16TRW	M45X2	25	16	35	O32.0X2.5	31.2	4	50
20411-45-20TRW	20412-45-20TRW	M45X2	32	20	35	O32.0X2.5	31.2	4	50
20411-52-20TRW	20412-52-20TRW	M52X2	32	20	42	O38.0X2.5	32.2	4	60
20411-52-24TRW	20412-52-24TRW	M52X2	40	24	42	O38.0X2.5	33	4	60



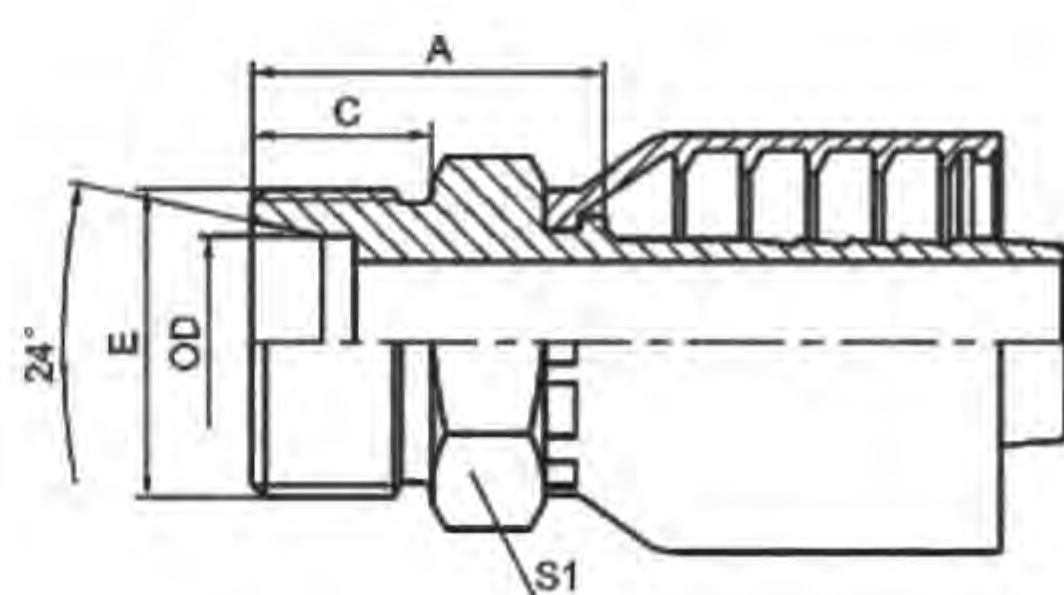
20441-RW/20442-RW
45°公制内螺纹24°锥带O形圈轻系列
45° METRIC FEMALE 24° CONE O-RING L.T.
ISO 12151-2、DIN 3865

代号 PART NO.		螺 纹E	胶管HOSE BORE		管子外径	O形圈	尺寸 DIMENSIONS			
编织 BRAIDED	缠绕 SPIRAL	THREAD E	公称内径 DN	标号 DASH	TUBE O.D.	O RING	A	C	H	S2
20441-12-04WRW	—	M12X1.5	6	04	6	O04.5X1.5	46.7	1.4	23.1	17
20441-14-04TRW	—	M14X1.5	6	04	8	O06.5X1.5	43.9	1.4	20.3	17
20441-14-06WRW	—	M14X1.5	10	06	8	O06.5X1.5	50	1.4	24.8	17
20441-16-04TRW	—	M16X1.5	6	04	10	O08.0X1.5	44.3	0.8	20.7	19
20441-16-05TRW	—	M16X1.5	8	05	10	O08.0X1.5	46.4	0.8	21.6	19
20441-16-06WRW	—	M16X1.5	10	06	10	O08.0X1.5	50.5	2.1	25.3	19
20441-18-05TRW	—	M18X1.5	8	05	12	O10.0X1.5	47.7	1.5	22.9	22
20441-18-06TRW	—	M18X1.5	10	06	12	O10.0X1.5	48.8	1.5	23.6	22
20441-18-08WRW	20442-18-08WRW	M18X1.5	12	08	12	O10.0X1.5	64.4	1.8	28	22
20441-22-05TRW	—	M22X1.5	8	05	15	O12.0X2.0	48	3	23.2	27
20441-22-06TRW	—	M22X1.5	10	06	15	O12.0X2.0	49.1	3	23.9	27
20441-22-08TRW	20442-22-08TRW	M22X1.5	12	08	15	O12.0X2.0	61.8	3	25.4	27
20441-22-10WRW	20442-22-10WRW	M22X1.5	16	10	15	O12.0X2.0	74.9	3	29.6	27
20441-26-08TRW	20442-26-08TRW	M26X1.5	12	08	18	O15.0X2.0	62.5	2.1	26.1	32
20441-26-10TRW	20442-26-10TRW	M26X1.5	16	10	18	O15.0X2.0	72.7	2.1	27.4	32
20441-26-12WRW	20442-26-12WRW	M26X1.5	20	12	18	O15.0X2.0	78.8	2.1	33	32
20441-30-10TRW	20442-30-10TRW	M30X2	16	10	22	O20.0X2.0	74.6	3.8	29.3	36
20441-30-12TRW	20442-30-12TRW	M30X2	20	12	22	O20.0X2.0	77.9	3.8	32.1	36
20441-30-16WRW	20442-30-16WRW	M30X2	25	16	22	O20.0X2.0	93	3.8	36.6	36
20441-36-12TRW	20442-36-12TRW	M36X2	20	12	28	O26.0X2.0	77.4	4.5	31.6	41
20441-36-16TRW	20442-36-16TRW	M36X2	25	16	28	O26.0X2.0	89.6	4.5	33.2	41
20441-36-20WRW	20442-36-20WRW	M36X2	32	20	28	O26.0X2.0	102.8	4.5	40.9	41
20441-45-16TRW	20442-45-16TRW	M45X2	25	16	35	O32.0X2.5	91.8	4	35.4	50
20441-45-20TRW	20442-45-20TRW	M45X2	32	20	35	O32.0X2.5	101.4	4	39.5	50
20441-52-20TRW	20442-52-20TRW	M52X2	32	20	42	O38.0X2.5	102.1	4	40.2	60
20441-52-24TRW	20442-52-24TRW	M52X2	40	24	42	O38.0X2.5	116.8	4	44.1	60



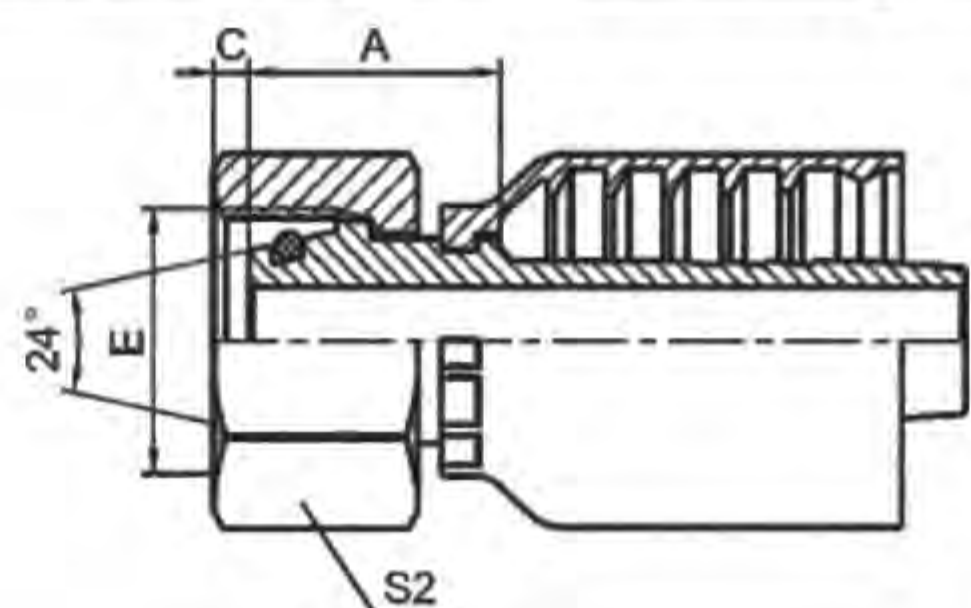
20491-RW/20492-RW
 90°公制内螺纹24°锥带O形圈轻系列
 90° METRIC FEMALE 24° CONE O-RING L.T.
 ISO 12151-2、DIN 3865

代号 PART NO.		螺纹E	胶管HOSE BORE	管子外径	O形圈	尺寸 DIMENSIONS				
编织 BRAIDED	缠绕 SPIRAL	THREAD	公称内径 DN	标号 DASH	TUBE O.D.	O RING	A	C	H	S2
20491-12-04WRW	—	M12X1.5	6	04	6	O04.5X1.5	31.5	1.4	40.6	17
20491-14-04TRW	—	M14X1.5	6	04	8	O06.5X1.5	31.5	1.4	36.6	17
20491-14-06WRW	—	M14X1.5	10	06	8	O06.5X1.5	36.3	1.4	46	17
20491-16-04TRW	—	M16X1.5	6	04	10	O08.0X1.5	31.5	0.8	37.2	19
20491-16-05TRW	—	M16X1.5	8	05	10	O08.0X1.5	34.5	0.8	40.2	19
20491-16-06WRW	—	M16X1.5	10	06	10	O08.0X1.5	36.3	2.1	46.8	19
20491-18-05TRW	—	M18X1.5	8	05	12	O10.0X1.5	34.5	1.5	42	22
20491-18-06TRW	—	M18X1.5	10	06	12	O10.0X1.5	36.3	1.5	44.3	22
20491-18-08WRW	20492-18-08WRW	M18X1.5	12	08	12	O10.0X1.5	42.5	1.8	53.7	22
20491-22-05TRW	—	M22X1.5	8	05	15	O12.0X2.0	34.5	3	42.5	27
20491-22-06TRW	—	M22X1.5	10	06	15	O12.0X2.0	36.3	3	44.8	27
20491-22-08TRW	20492-22-08TRW	M22X1.5	12	08	15	O12.0X2.0	42.5	3	50	27
20491-22-10WRW	20492-22-10WRW	M22X1.5	16	10	15	O12.0X2.0	57	3	58.6	27
20491-26-08TRW	20492-26-08TRW	M26X1.5	12	08	18	O15.0X2.0	42.5	2.1	50.9	32
20491-26-10TRW	20492-26-10TRW	M26X1.5	16	10	18	O15.0X2.0	57	2.1	55.4	32
20491-26-12WRW	20492-26-12WRW	M26X1.5	20	12	18	O15.0X2.0	63.2	2.1	65.9	32
20491-30-10TRW	20492-30-10TRW	M30X2	16	10	22	O20.0X2.0	57	3.8	58.2	36
20491-30-12TRW	20492-30-12TRW	M30X2	20	12	22	O20.0X2.0	63.2	3.8	64.7	36
20491-30-16WRW	20492-30-16WRW	M30X2	25	16	22	O20.0X2.0	78.9	3.8	77.3	36
20491-36-12TRW	20492-36-12TRW	M36X2	20	12	28	O26.0X2.0	63.2	4.5	64	41
20491-36-16TRW	20492-36-16TRW	M36X2	25	16	28	O26.0X2.0	78.9	4.5	72.5	41
20491-36-20WRW	20492-36-20WRW	M36X2	32	20	28	O26.0X2.0	92.7	4.5	88.6	41
20491-45-16TRW	20492-45-16TRW	M45X2	25	16	35	O32.0X2.5	78.9	4	75.5	50
20491-45-20TRW	20492-45-20TRW	M45X2	32	20	35	O32.0X2.5	92.7	4	86.5	50
20491-52-20TRW	20492-52-20TRW	M52X2	32	20	42	O38.0X2.5	92.7	4	87.5	60
20491-52-24TRW	20492-52-24TRW	M52X2	40	24	42	O38.0X2.5	111.4	4	101	60



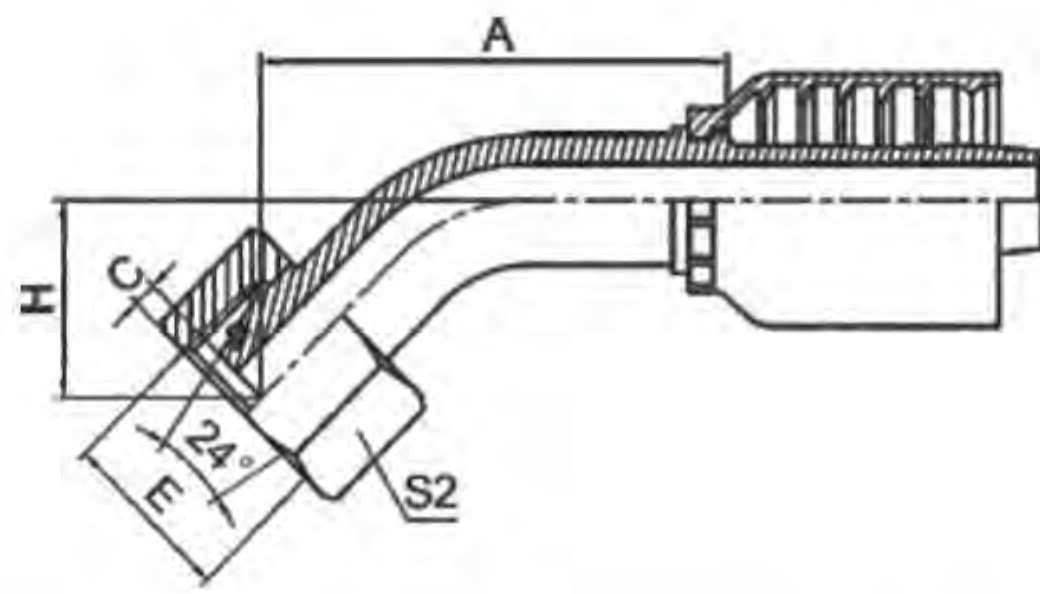
10511-RW/10512-RW
公制外螺纹平面24° 内锥面轻系列
METRIC MALE 24° CONE SEAT L.T. DIN 3853

代号 PART NO.		螺纹E	胶管HOSE BORE		管子外径	尺寸 DIMENSIONS		
编织 BRAIDED	缠绕 SPIRAL	THREAD E	公称内径 DN	标号 DASH	TUBE O.D.	A	C	S1
10511-14-04RW	—	M14X1.5	6	04	6	24	12	14
10511-16-04RW	—	M16X1.5	6	04	8	26	12	17
10511-16-05RW	—	M16X1.5	8	04	8	26	12	17
10511-16-06RW	—	M16X1.5	10	06	8	25.5	12	17
10511-18-05RW	—	M18X1.5	8	05	10	26	12	19
10511-18-06RW	—	M18X1.5	10	06	10	25.5	12	19
10511-20-05RW	—	M20X1.5	8	05	12	28	12	22
10511-20-06RW	—	M20X1.5	10	06	12	27.5	12	22
10511-22-08RW	10512-22-08RW	M20X1.5	12	08	14	30.5	14	24
10511-24-08RW	10512-24-08RW	M24X1.5	12	08	16	30.5	14	27
10511-30-10RW	10512-30-10RW	M30X2	16	10	20	35	16	32
10511-30-12RW	10512-30-12RW	M30X2	20	12	20	34	16	32
10511-36-12RW	10512-36-12RW	M36X2	25	16	25	41.2	18	41
10511-36-16RW	10512-36-16RW	M36X2	25	16	25	41.2	18	41
10511-42-16RW	10512-42-16RW	M42X2	25	16	30	43.2	20	46
10511-42-20RW	10512-42-20RW	M42X2	32	20	30	43.2	20	46
10511-52-20RW	10512-52-20RW	M52X2	32	20	38	48.2	22	55



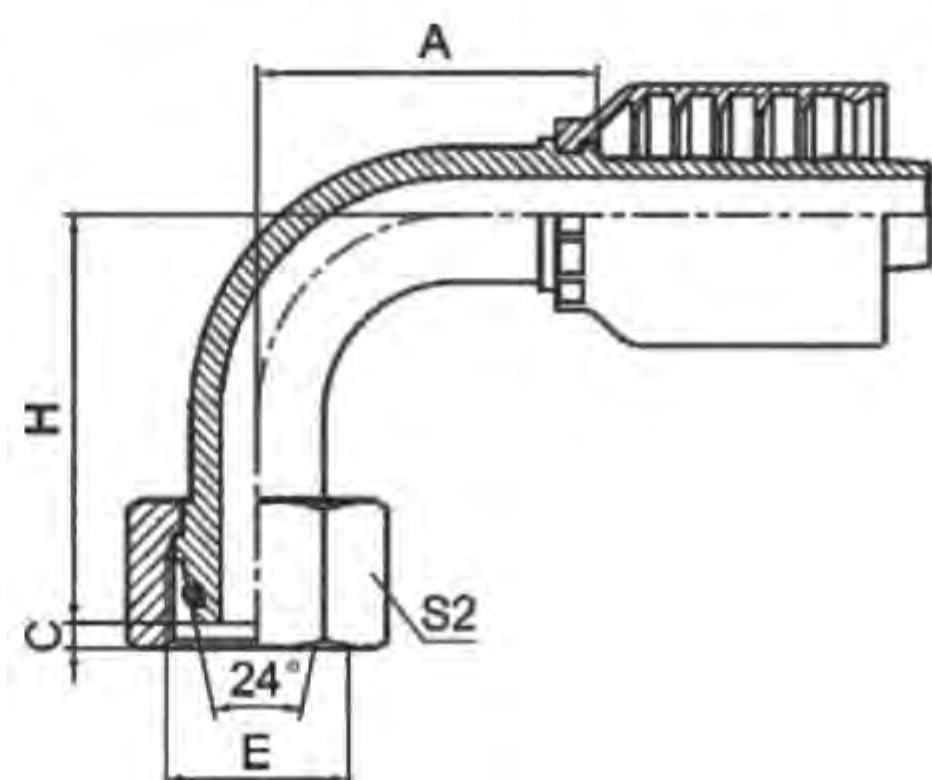
20511-RW/20512-RW
公制内螺纹24°锥带O形圈重系列
METRIC FEMALE 24° CONE O-RING S.T.
ISO 12151-2、DIN 3865

代号 PART NO.		螺纹E	胶管HOSE BORE		管子外径	O形圈	尺寸 DIMENSIONS		
编织 BRAIDED	缠绕 SPIRAL	THREAD E	公称内径 DN	标号 DASH	TUBE O.D.	O RING	A	C	S2
20511-14-04TRW	—	M14X1.5	6	04	6	O04.5X1.5	19.4	1.1	17
20511-16-04TRW	—	M16X1.5	6	04	8	O06.5X1.5	20	1.5	19
20511-16-05TRW	—	M16X1.5	8	05	8	O06.5X1.5	20	1.5	19
20511-18-04TRW	—	M18X1.5	6	04	10	O08.0X1.5	21.5	1.5	22
20511-18-06TRW	—	M18X1.5	10	06	10	O08.0X1.5	21	1.5	22
20511-20-06TRW	—	M20X1.5	10	06	12	O10.0X1.5	21.5	2.5	24
20511-20-08WRW	20512-20-08WRW	M20X1.5	12	08	12	O10.0X1.5	27	2.5	24
20511-22-06TRW	—	M22X1.5	10	06	14	O11.0X2.0	21.5	2.5	27
20511-22-08TRW	20512-22-08TRW	M22X1.5	12	08	14	O11.0X2.0	22.5	2.5	27
20511-24-06TRW	—	M24X1.5	10	06	16	O13.0X2.0	21.5	3	30
20511-24-08TRW	20512-24-08TRW	M24X1.5	12	08	16	O13.0X2.0	22.5	3	30
20511-30-10TRW	20512-30-10TRW	M30X2	16	10	20	O16.3X2.4	27	2.5	36
20511-30-12TRW	20512-30-12TRW	M30X2	20	12	20	O16.3X2.4	26	2.5	36
20511-36-12TRW	20512-36-12TRW	M36X2	20	12	25	O20.3X2.4	26.3	3	46
20511-42-12TRW	20512-42-12TRW	M42X2	20	12	30	O25.3X2.4	28.1	4	50
20511-42-16TRW	20512-42-16TRW	M42X2	25	16	30	O25.3X2.4	31.3	4	50
20511-52-20TRW	20512-52-20TRW	M52X2	32	20	38	O33.3X2.4	31.7	4.5	60
20511-52-24TRW	20512-52-24TRW	M52X2	40	24	38	O33.3X2.4	32.5	4.5	60



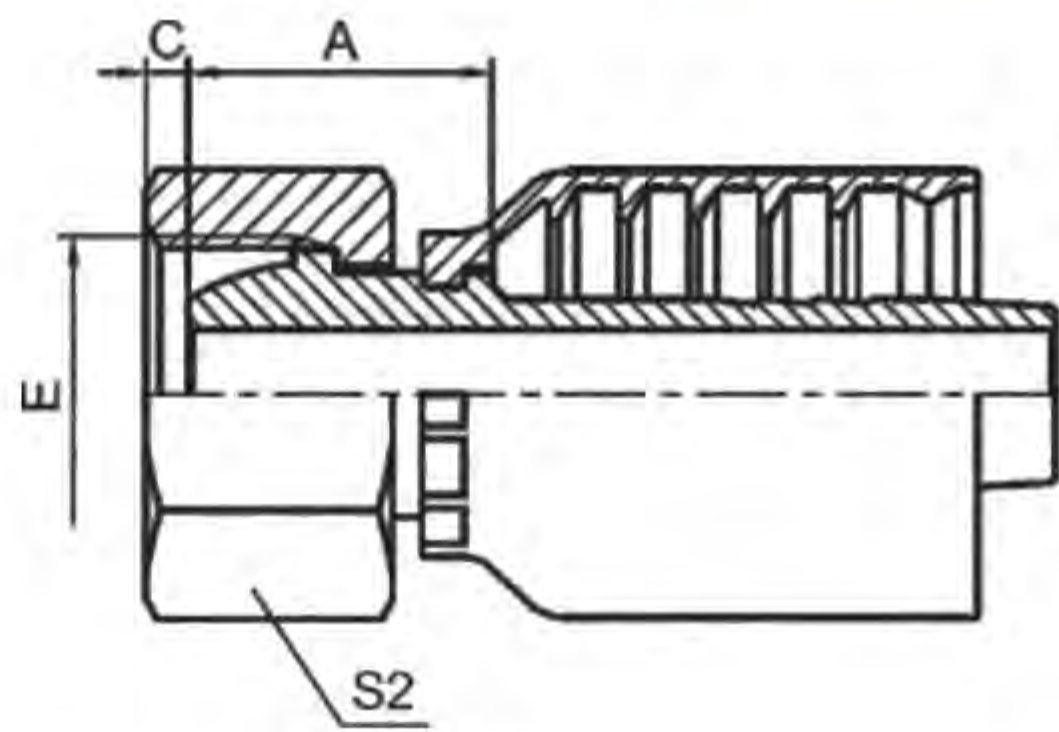
20541-RW/20542-RW
45°公制内螺纹24°锥带O形圈重系列
45° METRIC FEMALE 24°CONE O-RING S.T.
ISO 12151-2、DIN 3865

代号 PART NO.		螺纹E	胶管HOSE BORE		管子外径	O形圈	尺寸 DIMENSIONS			
编织 BRAIDED	缠绕 SPIRAL	THREAD E	公称内径 DN	标号 DASH	TUBE O.D.	O RING	A	C	H	S2
20541-14-04TRW	—	M14X1.5	6	04	6	O04.5X1.5	44.1	1.1	20.5	17
20541-16-04TRW	—	M16X1.5	6	04	8	O06.5X1.5	44.5	1.5	20.9	19
20541-16-05TRW	—	M16X1.5	8	05	8	O06.5X1.5	46.6	1.5	21.8	19
20541-18-04TRW	—	M18X1.5	6	04	10	O08.0X1.5	45.6	1.5	22	22
20541-18-06TRW	—	M18X1.5	10	06	10	O08.0X1.5	48.8	1.5	23.6	22
20541-20-06TRW	—	M20X1.5	10	06	12	O10.0X1.5	49.1	2.5	23.9	24
20541-20-08WRW	20542-20-08WRW	M20X1.5	12	08	12	O10.0X1.5	65	2.5	28.6	24
20541-22-06TRW	—	M22X1.5	10	06	14	O11.0X2.0	49.1	2.5	23.9	27
20541-22-08TRW	20542-22-08TRW	M22X1.5	12	08	14	O11.0X2.0	61.8	2.5	25.4	27
20541-24-06TRW	—	M24X1.5	10	06	16	O13.0X2.0	49.1	3	23.9	30
20541-24-08TRW	20542-24-08TRW	M24X1.5	12	08	16	O13.0X2.0	61.8	3	25.4	30
20541-30-10TRW	20542-30-10TRW	M30X2	16	10	20	O16.3X2.4	74.8	2.5	29.5	36
20541-30-12TRW	20542-30-12TRW	M30X2	20	12	20	O16.3X2.4	78.1	2.5	32.3	36
20541-36-12TRW	20542-36-12TRW	M36X2	20	12	25	O20.3X2.4	78.4	3	32.6	46
20541-42-12TRW	20542-42-12TRW	M42X2	20	12	30	O25.3X2.4	79.6	4	33.8	50
20541-42-16TRW	20542-42-16TRW	M42X2	25	16	30	O25.3X2.4	91.8	4	35.4	50
20541-52-20TRW	20542-52-20TRW	M52X2	32	20	38	O33.3X2.4	101.7	4.5	39.8	60
20541-52-24TRW	20542-52-24TRW	M52X2	40	24	38	O33.3X2.4	116.4	4.5	43.7	60



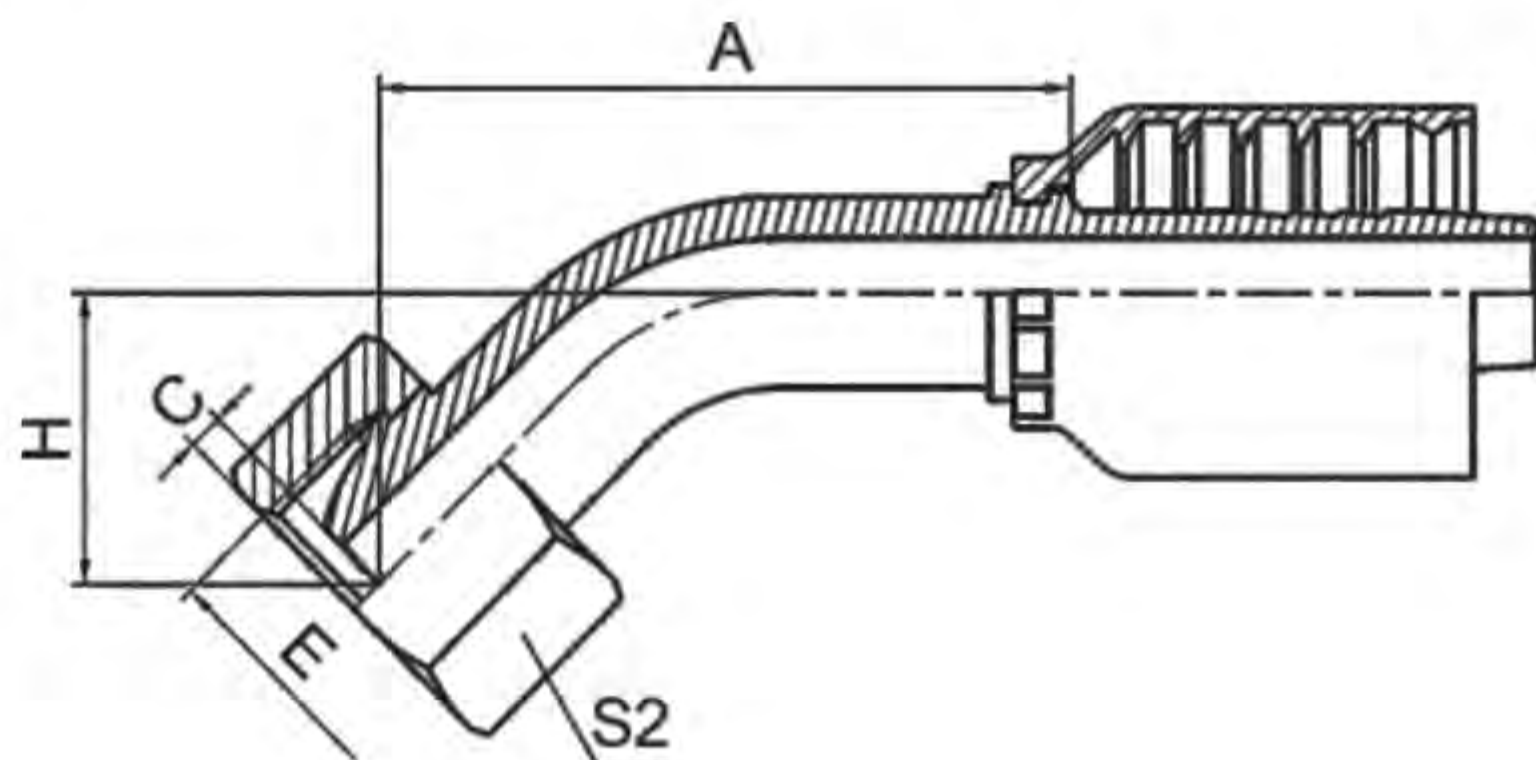
20591-RW/20592-RW
90°公制内螺纹24°锥带O形圈轻系列
90° METRIC FEMALE 24°CONE O-RING S.T.
ISO 12151-2、DIN 3865

代号 PART NO.		螺纹E	胶管HOSE BORE		管子外径	O形圈	尺寸 DIMENSIONS			
编织 BRAIDED	缠绕 SPIRAL	THREAD E	公称内径 DN	标号 DASH	TUBE O.D.	O RING	A	C	H	S2
20591-14-04TRW	—	M14X1.5	6	04	6	O04.5X1.5	31.5	1.1	36.9	17
20591-16-04TRW	—	M16X1.5	6	04	8	O06.5X1.5	31.5	1.5	37.5	19
20591-16-05TRW	—	M16X1.5	8	05	8	O06.5X1.5	34.5	1.5	40.5	19
20591-18-04TRW	—	M18X1.5	6	04	10	O08.0X1.5	31.5	1.5	39	22
20591-18-06TRW	—	M18X1.5	10	06	10	O08.0X1.5	36.3	1.5	44.3	22
20591-20-06TRW	—	M20X1.5	10	06	12	O10.0X1.5	36.3	2.5	44.8	24
20591-20-08WRW	20592-20-08WRW	M20X1.5	12	08	12	O10.0X1.5	42.5	2.5	54.5	24
20591-22-06TRW	—	M22X1.5	10	06	14	O11.0X2.0	36.3	2.5	44.8	27
20591-22-08TRW	20592-22-08TRW	M22X1.5	12	08	14	O11.0X2.0	42.5	2.5	50	27
20591-24-06TRW	—	M24X1.5	10	06	16	O13.0X2.0	36.3	3	44.8	30
20591-24-08TRW	20592-24-08TRW	M24X1.5	12	08	16	O13.0X2.0	42.5	3	50	30
20591-30-10TRW	20592-30-10TRW	M30X2	16	10	20	O16.3X2.4	57	2.5	58.5	36
20591-30-12TRW	20592-30-12TRW	M30X2	20	12	20	O16.3X2.4	63.2	2.5	65	36
20591-36-12TRW	20592-36-12TRW	M36X2	20	12	25	O20.3X2.4	63.2	3	65.3	46
20591-42-12TRW	20592-42-12TRW	M42X2	20	12	30	O25.3X2.4	63.2	4	67.1	50
20591-42-16TRW	20592-42-16TRW	M42X2	25	16	30	O25.3X2.4	78.9	4	75.6	50
20591-52-20TRW	20592-52-20TRW	M52X2	32	20	38	O33.3X2.4	92.7	4.5	87	60
20591-52-24TRW	20592-52-24TRW	M52X2	40	24	38	O33.3X2.4	111.4	4.5	100.5	60



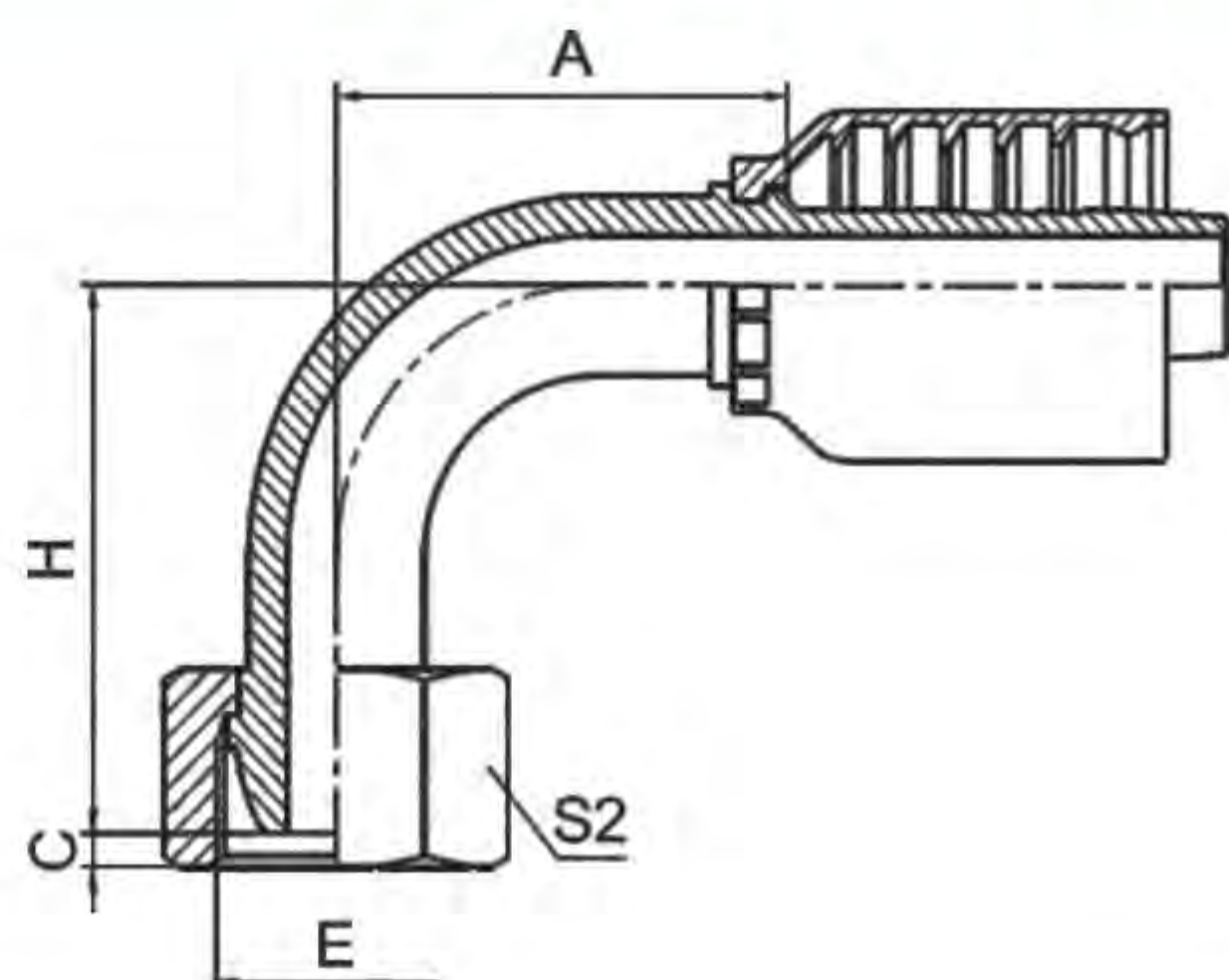
20411C-RW/20412C-RW
公制内螺纹24°球面轻系列
METRIC FEMALE MULTISEAL L.T.

代号 PART NO.		螺纹E	胶管HOSE BORE		管子外径	尺寸 DIMENSIONS		
编织 BRAIDED	缠绕 SPIRAL	THREAD E	公称内径 DN	标号 DASH	TUBE O.D.	A	C	S2
20411C-12-04WRW	—	M12X1.5	6	04	6	22	3.5	17
20411C-14-04TRW	—	M14X1.5	6	04	8	19.5	3.5	19
20411C-16-04TRW	—	M16X1.5	6	04	10	19.5	4	22
20411C-16-05TRW	—	M16X1.5	8	05	10	19.5	4	22
20411C-16-06WRW	—	M16X1.5	10	06	10	23.6	3.5	19
20411C-18-06TRW	—	M18X1.5	10	06	12	21	3	22
20411C-22-06TRW	—	M22X1.5	10	06	15	21.5	4.5	27
20411C-22-08TRW	20412C-22-08TRW	M22X1.5	12	08	15	22.5	4.5	27
20411C-26-10TRW	20412C-26-10TRW	M26X1.5	16	10	18	25.5	4	32
20411C-30-10TRW	20412C-30-10TRW	M30X2	16	10	22	25.5	7	36
20411C-30-12TRW	20412C-30-12TRW	M30X2	20	12	22	24.5	7	36
20411C-36-16TRW	20412C-36-16TRW	M36X2	25	16	28	28.2	6.5	41
20411C-45-20TRW	20412C-45-20TRW	M45X2	32	20	35	31.7	7	50
20411C-52-24TRW	20412C-52-24TRW	M52X2	40	24	42	33.5	8	60



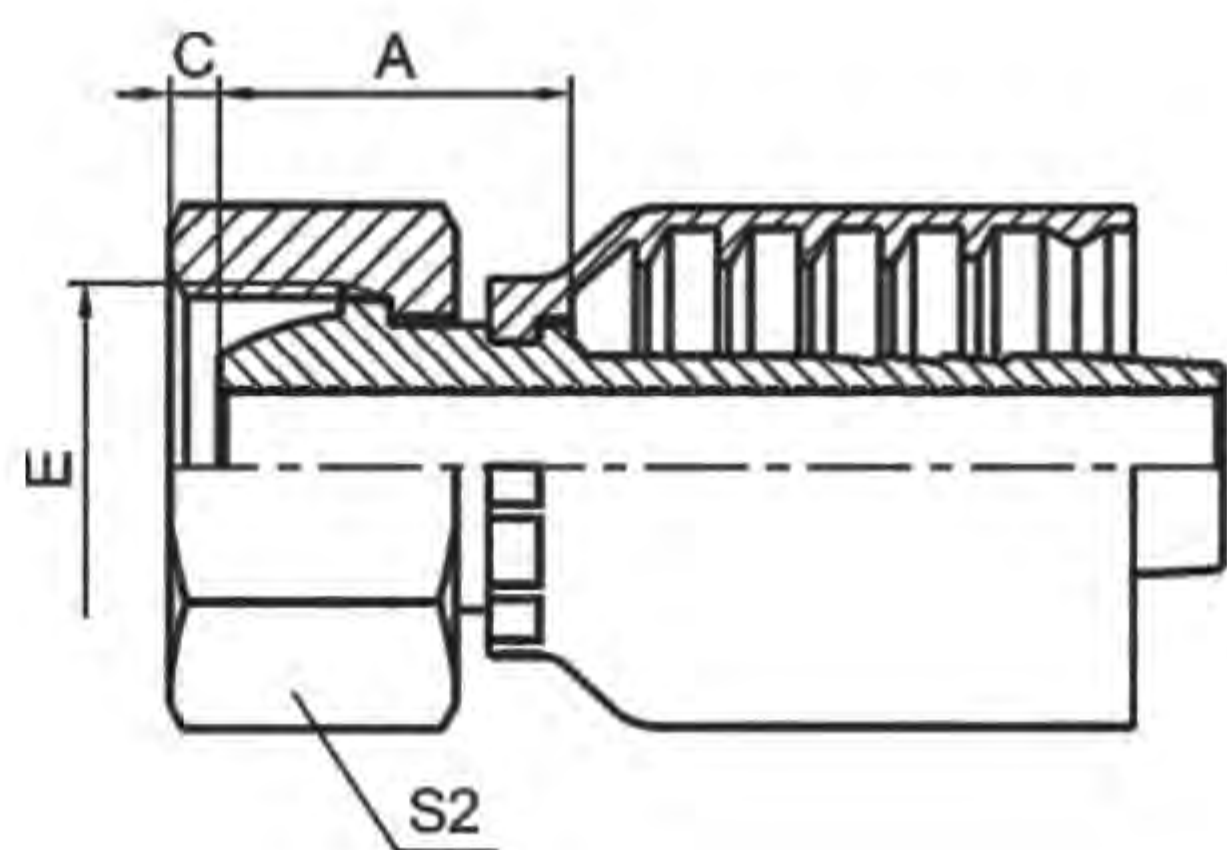
20441C-RW/20442C-RW
45° 公制内螺纹24°球面轻系列
45° METRIC FEMALE MULTISEAL L.T.

代号 PART NO.		螺纹E	胶管HOSE BORE		管子外径	尺寸 DIMENSIONS			
编织 BRAIDED	缠绕 SPIRAL	THREAD E	公称内径 DN	标号 DASH	TUBE O.D.	A	C	H	S2
20441C-12-04WRW	—	M12X1.5	6	04	6	45.6	3.5	22	17
20441C-14-04TRW	—	M14X1.5	6	04	8	44.1	3.5	20.5	19
20441C-16-04TRW	—	M16X1.5	6	04	10	44.1	4	20.5	22
20441C-16-05TRW	—	M16X1.5	8	05	10	46.2	4	21.4	22
20441C-16-06WRW	—	M16X1.5	10	06	10	49.9	3.5	24.7	19
20441C-18-06TRW	—	M18X1.5	10	06	12	48.8	3	23.6	22
20441C-22-06TRW	—	M22X1.5	10	06	15	49.1	4.5	23.9	27
20441C-22-08TRW	20442C-22-08TRW	M22X1.5	12	08	15	61.8	4.5	25.4	27
20441C-26-10TRW	20442C-26-10TRW	M26X1.5	16	10	18	73.8	4	28.5	32
20441C-30-10TRW	20442C-30-10TRW	M30X2	16	10	22	73.8	7	28.5	36
20441C-30-12TRW	20442C-30-12TRW	M30X2	20	12	22	77.1	7	31.3	36
20441C-36-16TRW	20442C-36-16TRW	M36X2	25	16	28	89.6	6.5	33.2	41
20441C-45-20TRW	20442C-45-20TRW	M45X2	32	20	35	101.7	7	39.8	50
20441C-52-24TRW	20442C-52-24TRW	M52X2	40	24	42	117.1	8	44.4	60



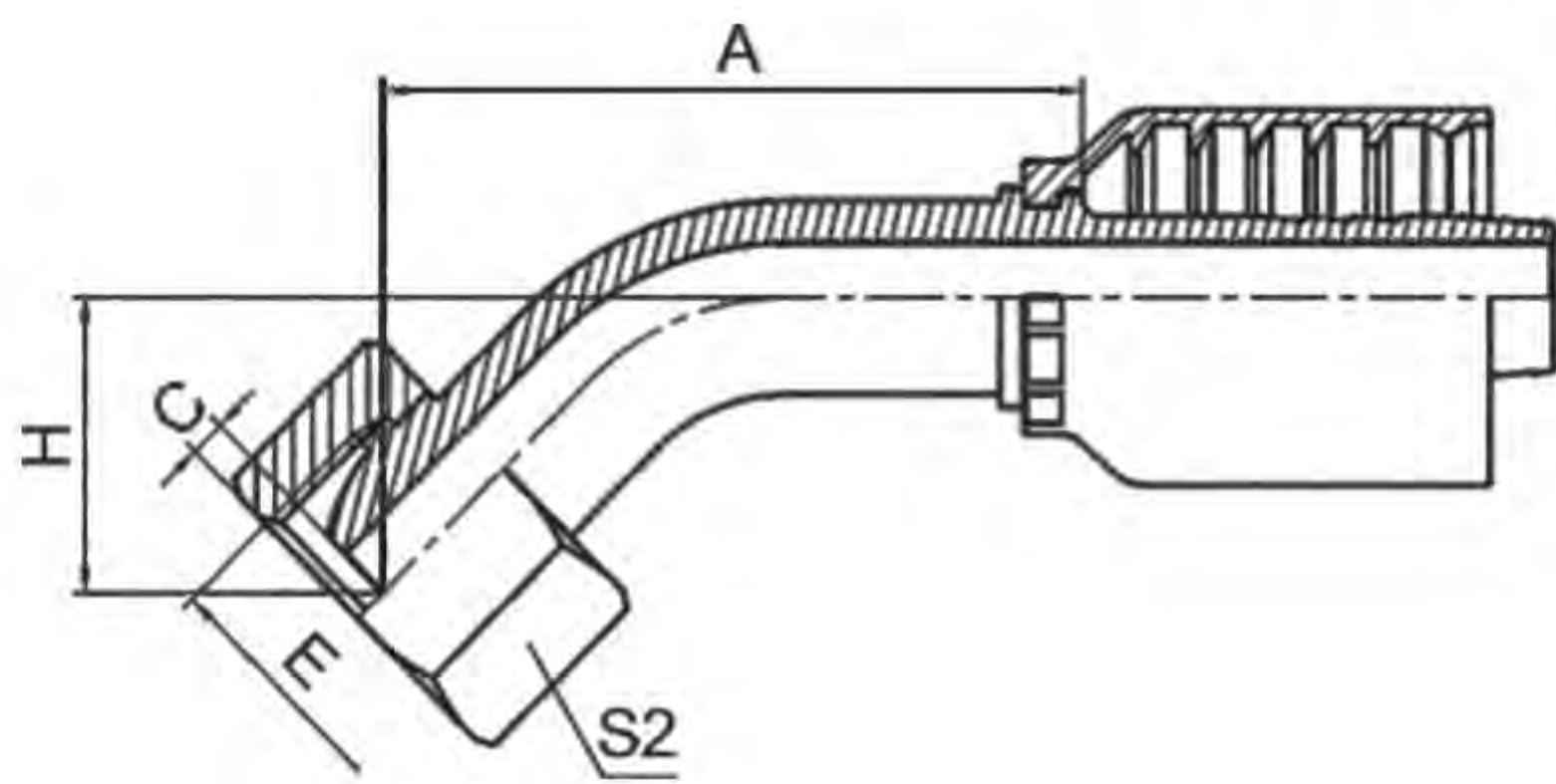
20491C-RW/20492C-RW
90° 公制内螺纹24°球面轻系列
90° METRIC FEMALE MULTISEAL L.T.

代号 PART NO.		螺 纹E	胶管HOSE BORE		管子外径	尺寸 DIMENSIONS			
编织 BRAIDED	缠绕 SPIRAL	THREAD E	公称内径 DN	标号 DASH	TUBE O.D.	A	C	H	S2
20491C-12-04WRW	—	M12X1.5	6	04	6	31.5	3.5	39	17
20491C-14-04TRW	—	M14X1.5	6	04	8	31.5	3.5	37	19
20491C-16-04TRW	—	M16X1.5	6	04	10	31.5	4	37	22
20491C-16-05TRW	—	M16X1.5	8	05	10	34.5	4	40	22
20491C-16-06WRW	—	M16X1.5	10	06	10	36.3	3.5	45.9	19
20491C-18-06TRW	—	M18X1.5	10	06	12	36.3	3	44.3	22
20491C-22-06TRW	—	M22X1.5	10	06	15	36.3	4.5	44.8	27
20491C-22-08TRW	20492C-22-08TRW	M22X1.5	12	08	15	42.5	4.5	50	27
20491C-26-10TRW	20492C-26-10TRW	M26X1.5	16	10	18	57	4	57	32
20491C-30-10TRW	20492C-30-10TRW	M30X2	16	10	22	57	7	57	36
20491C-30-12TRW	20492C-30-12TRW	M30X2	20	12	22	63.2	7	63.5	36
20491C-36-16TRW	20492C-36-16TRW	M36X2	25	16	28	78.9	6.5	72.5	41
20491C-45-20TRW	20492C-45-20TRW	M45X2	32	20	35	92.7	7	87	55
20491C-52-24TRW	20492C-52-24TRW	M52X2	40	24	42	111.4	8	101.5	60



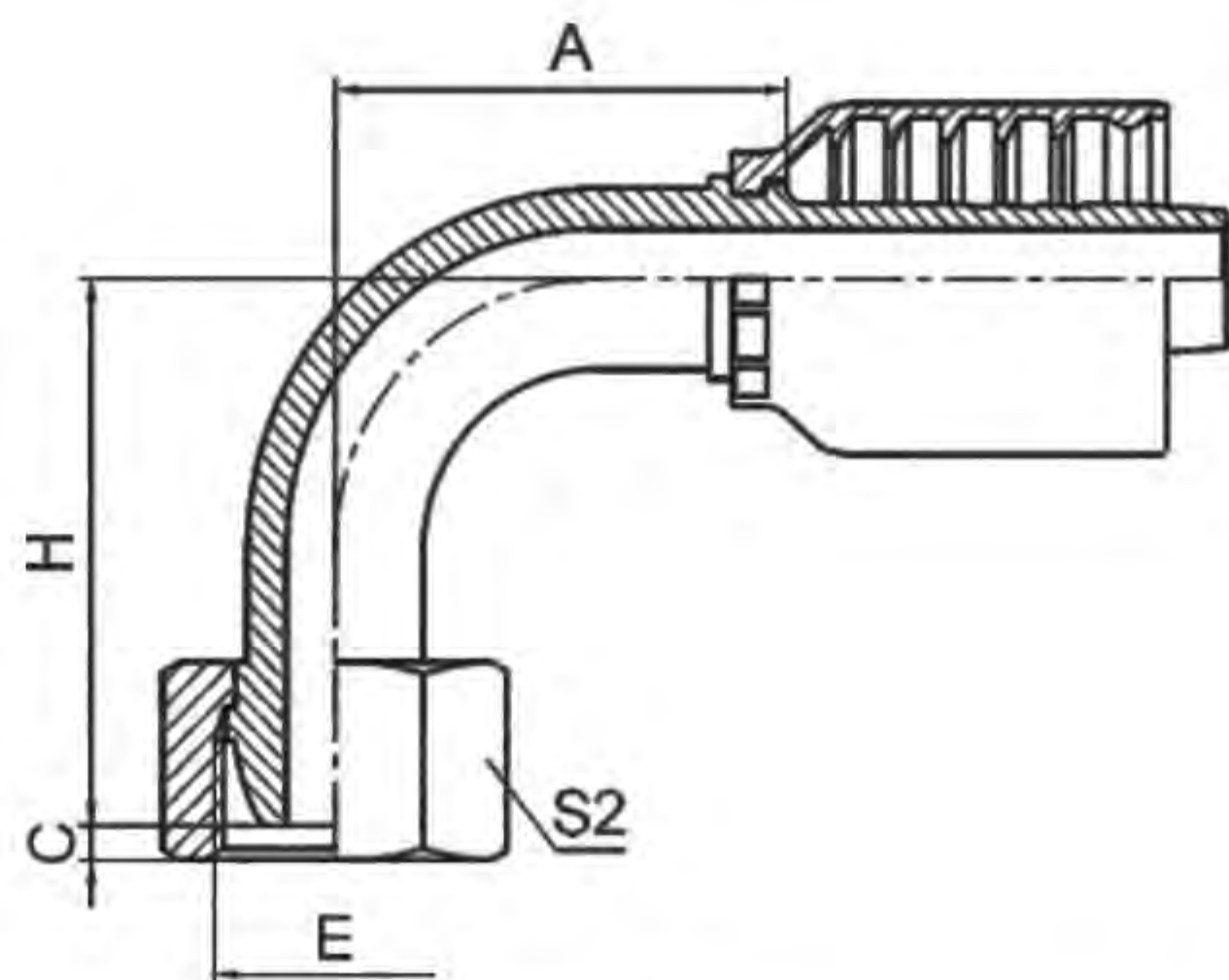
20511C-RW/20512C-RW
公制内螺纹24°球面重系列
METRIC FEMALE MULTISEAL S.T.

代号 PART NO.		螺 纹E	胶管HOSE BORE		管子外径	尺寸 DIMENSIONS			
编织 BRAIDED	缠绕 SPIRAL	THREAD E	公称内径 DN	标号 DASH	TUBE O.D.	A	C	S2	
20511C-16-04TRW	—	M16X1.5	6	04	8	20	3	19	
20511C-18-04TRW	—	M18X1.5	6	04	10	21.5	3	22	
20511C-20-05TRW	—	M20X1.5	8	05	12	22	4.5	24	
20511C-20-06TRW	—	M20X1.5	10	06	12	21.5	4.5	24	
20511C-22-06TRW	—	M22X1.5	10	06	14	21.5	4.5	27	
20511C-24-08TRW	20512C-24-08TRW	M24X1.5	12	08	16	22	5	30	
20511C-30-10TRW	20512C-30-10TRW	M30X1.5	16	10	20	25.5	7	36	
20511C-36-12TRW	20512C-36-12TRW	M36X2	20	12	25	25	6.5	41	
20511C-42-16TRW	20512C-42-16TRW	M42X2	25	16	30	29.7	9	50	
20511C-52-20TRW	20512C-52-20TRW	M52X2	32	20	38	32.7	8	60	



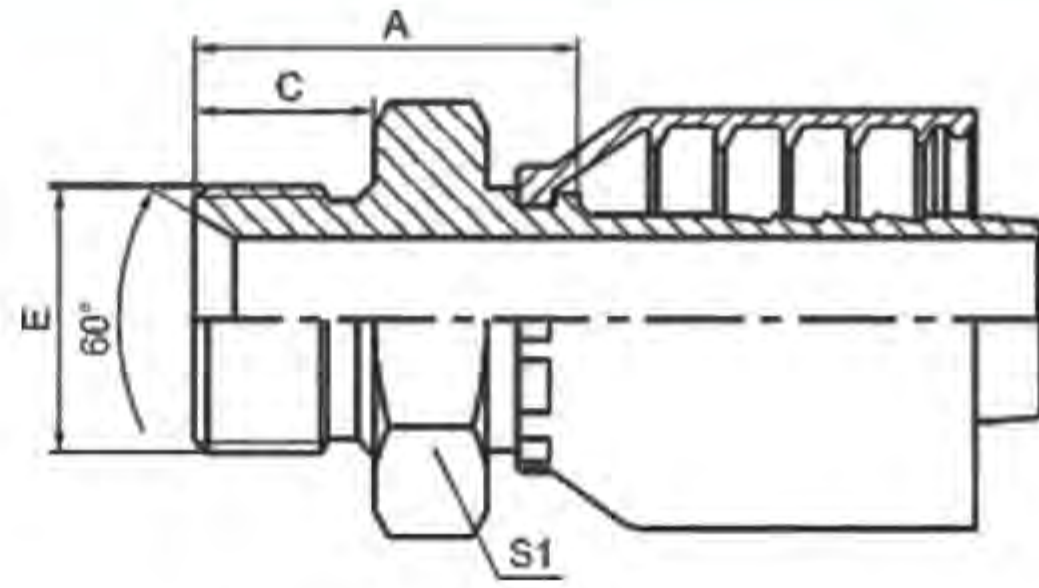
20541C-RW/20542C-RW
45° 公制内螺纹24°球面重系列
45° METRIC FEMALE MULTISEAL S.T.

代号 PART NO.		螺 纹E	胶管HOSE BORE		管子外径	尺 寸 DIMENSIONS			
编织 BRAIDED	缠绕 SPIRAL	THREAD E	公称内径 DN	标号 DASH	TUBE O.D.	A	C	H	S2
20541C-16-04TRW	—	M16X1.5	6	04	8	44.5	3	20.9	19
20541C-18-04TRW	—	M18X1.5	6	04	10	45.6	3	22	22
20541C-20-05TRW	—	M20X1.5	8	05	12	48	4.5	23.2	24
20541C-20-06TRW	—	M20X1.5	10	06	12	49.1	4.5	23.9	24
20541C-22-06TRW	—	M22X1.5	10	06	14	49.1	4.5	23.9	27
20541C-24-08TRW	20542C-24-08TRW	M24X1.5	12	08	16	62.2	5	25.8	30
20541C-30-10TRW	20542C-30-10TRW	M30X1.5	16	10	20	73.8	7	28.5	36
20541C-36-12TRW	20542C-36-12TRW	M36X2	20	12	25	77.4	6.5	31.6	41
20541C-42-16TRW	20542C-42-16TRW	M42X2	25	16	30	90.7	9	34.3	50
20541C-52-20TRW	20542C-52-20TRW	M52X2	32	20	38	102.4	8	40.5	60



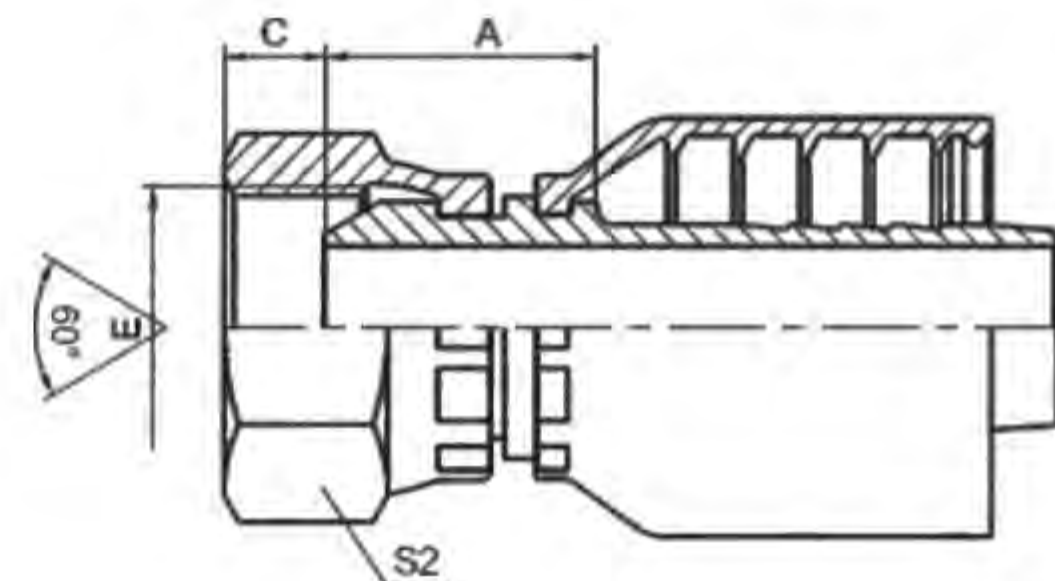
20591C-RW/20592CRW
90° 公制内螺纹24°球面重系列
90° METRIC FEMALE MULTISEAL S.T.

代号 PART NO.		螺 纹E	胶管HOSE BORE		管子外径	尺 寸 DIMENSIONS			
编织 BRAIDED	缠绕 SPIRAL	THREAD E	公称内径 DN	标号 DASH	TUBE O.D.	A	C	H	S2
20591C-16-04TRW	—	M16X1.5	6	04	8	31.5	3	37.5	19
20591C-18-04TRW	—	M18X1.5	6	04	10	31.5	3	39	22
20591C-20-05TRW	—	M20X1.5	8	05	12	34.5	4.5	42.5	24
20591C-20-06TRW	—	M20X1.5	10	06	12	36.3	4.5	44.8	24
20591C-22-06TRW	—	M22X1.5	10	06	14	36.3	4.5	44.8	27
20591C-24-08TRW	20592C-24-08TRW	M24X1.5	12	08	16	42.5	5	50.5	30
20591C-30-10TRW	20592C-30-10TRW	M30X1.5	16	10	20	57	7	57	36
20591C-36-12TRW	20592C-36-12TRW	M36X2	20	12	25	63.2	6.5	64	41
20591C-42-16TRW	20592C-42-16TRW	M42X2	25	16	30	78.9	9	74	50
20591C-52-20TRW	20592C-52-20TRW	M52X2	32	20	38	92.7	8	88	60



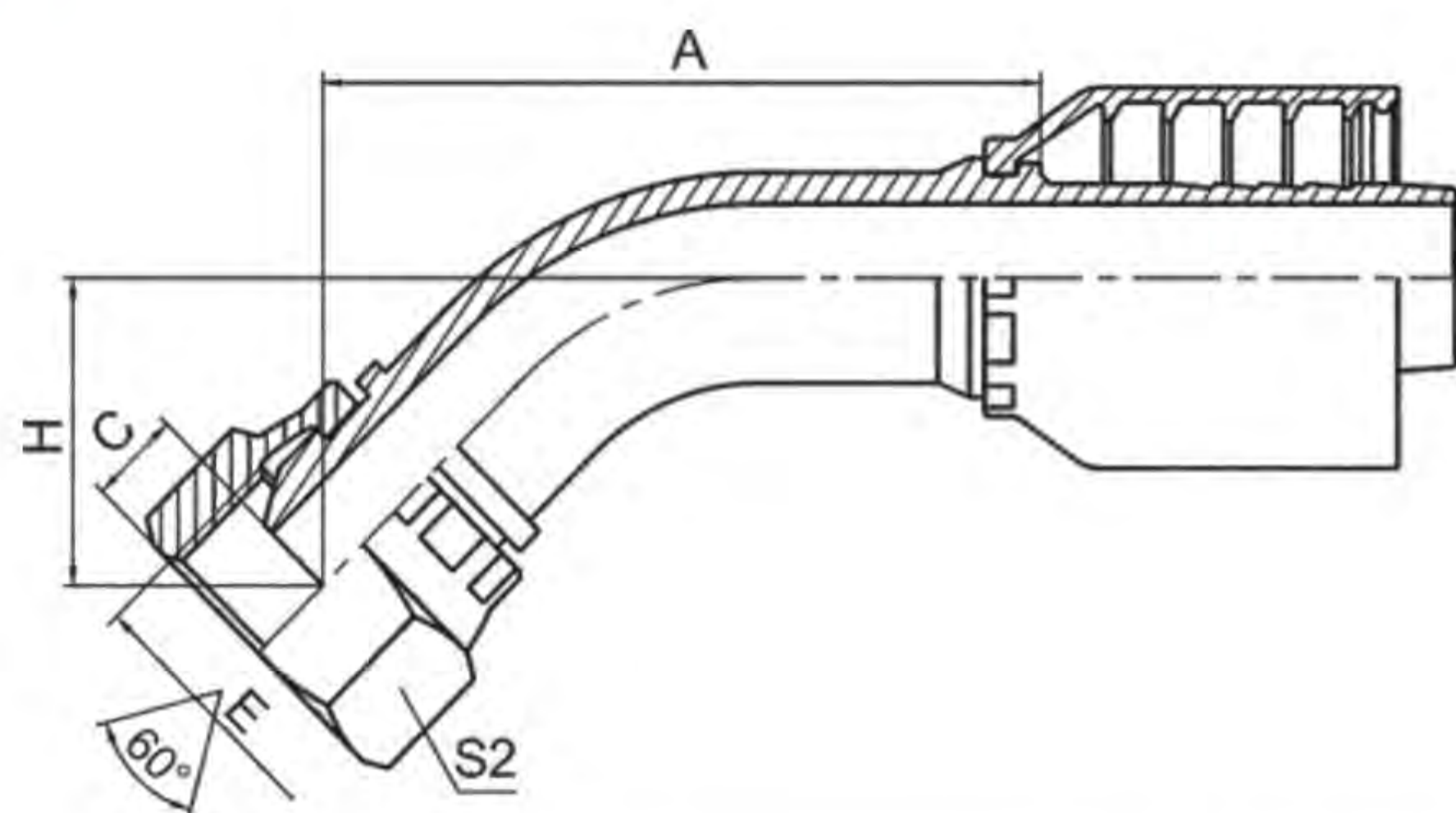
10611-RW/10612-RW
公制外螺纹60° 内锥面
METRIC MALE 60° CONE SEAT

代号 PART NO.		螺纹E	胶管HOSE BORE		尺寸 DIMENSIONS		
编织 BRAIDED	缠绕 SPIRAL	THREAD E	公称内径 DN	标号 DASH	A	C	S1
10611-14-04RW	—	M14X1.5	6	04	23	11	19
10611-14-06RW	—	M14X1.5	10	06	22.5	11	19
10611-16-04RW	—	M16X1.5	6	04	26	12	22
10611-16-05RW	—	M16X1.5	8	05	26	12	22
10611-18-06RW	—	M18X1.5	10	06	25.5	12	24
10611-22-06RW	—	M22X1.5	10	06	29.5	14	27
10611-22-08RW	10612-22-08RW	M22X1.5	12	08	30.5	14	27
10611-24-10RW	10612-24-10RW	M24X1.5	16	10	31	14	30
10611-26-10RW	10612-26-10RW	M26X1.5	16	10	34	16	32
10611-27-10DRW	10612-27-10DRW	M27X1.5	16	10	34	16	32
10611-27-10DRW	10612-27-10DRW	M27X2	16	10	36	18	32
10611-30-12DRW	10612-30-12DRW	M30X1.5	20	12	35	18	36
10611-30-12RW	10612-30-12RW	M30X2	20	12	35	18	36
10611-33-16RW	10612-33-16RW	M33X2	25	16	42.2	20	46
10611-42-20RW	10612-42-20RW	M42X2	32	20	44.2	20	50
10611-45-20RW	10612-45-20RW	M45X2	32	20	44.2	20	55
10611-48-24RW	10612-48-24RW	M48X2	40	24	45	20	55
10611-52-24RW	10612-52-24RW	M52X2	40	24	45	20	60



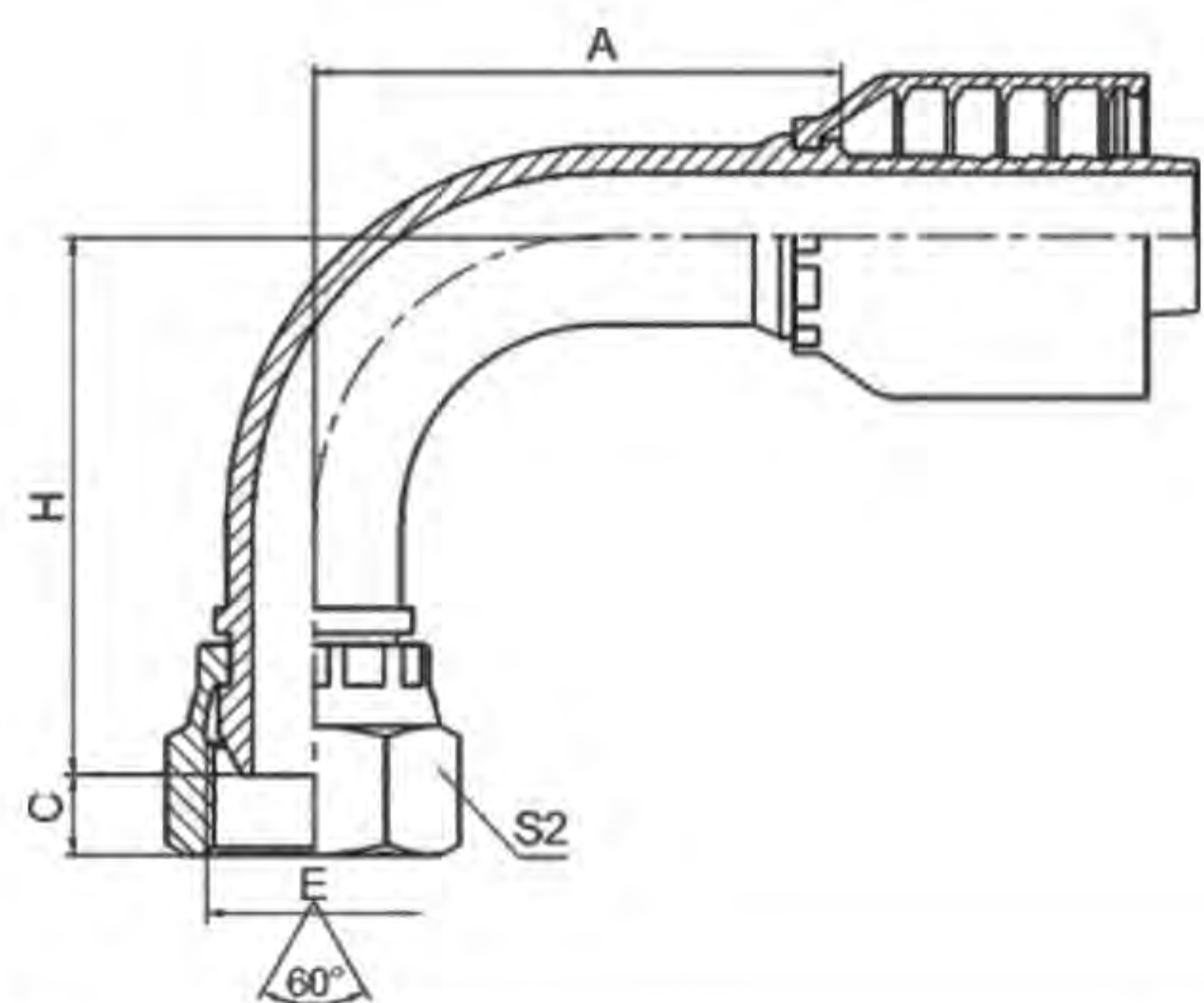
20611-RW/20612-RW
公制内螺纹60°外锥面
METRIC FEMALE 60° CONE

代号 PART NO.		螺纹E	胶管HOSE BORE		尺寸 DIMENSIONS		
编织 BRAIDED	缠绕 SPIRAL	THREAD E	公称内径 DN	标号 DASH	A	C	S2
20611-12-04RW	—	M12X1.5	6	04	20	4.5	17
20611-14-04TRW	—	M14X1.5	6	04	17	5	19
20611-16-05TRW	—	M16X1.5	8	05	17.5	6	22
20611-16-06RW	—	M16X1.5	10	06	20.5	5.5	22
20611-18-06TRW	—	M18X1.5	10	06	18.5	5.5	22
20611-20-08RW	20612-20-08RW	M20X1.5	12	08	24	6.5	27
20611-22-08TRW	20612-22-08TRW	M22X1.5	12	08	20	6	27
20611-24-10RW	20612-24-10RW	M24X1.5	16	10	25.5	6.5	30
20611-26-10TRW	20612-26-10TRW	M26X1.5	16	10	23.5	6	32
20611-27-10DTRW	20612-27-10DTRW	M27X1.5	16	10	23.5	6	32
20611-27-10TRW	20612-27-10TRW	M27X2	16	10	23.5	8	32
20611-30-10DTRW	20612-30-10DTRW	M30X1.5	16	10	24.5	5.5	36
20611-30-12DTRW	20612-30-12DTRW	M30X1.5	20	12	23.5	5.5	36
20611-30-12TRW	20612-30-12TRW	M30X2	20	12	23.5	5.5	36
20611-36-16TRW	20612-36-16TRW	M36X2	25	16	28.2	6.5	41
20611-39-16TRW	20612-39-16TRW	M39X2	25	16	30.2	6.5	46
20611-45-20TRW	20612-45-20TRW	M45X2	32	20	30.2	8.5	55
20611-52-24TRW	20612-52-24TRW	M52X2	40	24	31.5	10	60



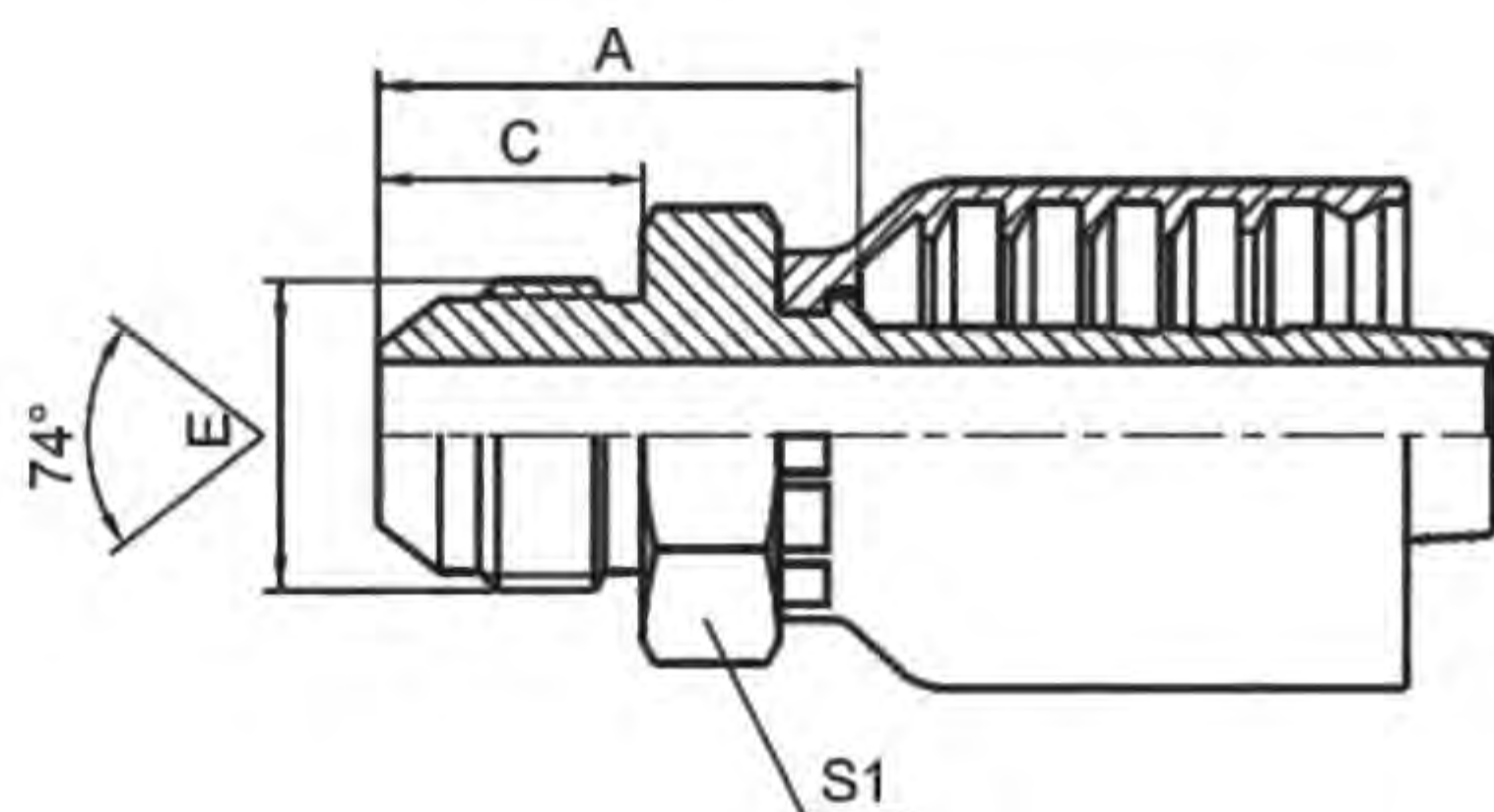
20641-RW/20642-RW
45°公制内螺纹60°外锥面
45° METRIC FEMALE 60°CONE

代号 PART NO.		螺纹E	胶管HOSE BORE		尺寸 DIMENSIONS			
编织 BRAIDED	缠绕 SPIRAL	THREAD E	公称内径 DN	标号 DASH	A	C	H	S2
20641-12-04RW	—	M12X1.5	6	04	44.1	4.5	20.5	17
20641-14-04TRW	—	M14X1.5	6	04	42.4	5	18.8	19
20641-16-05TRW	—	M16X1.5	8	05	44.8	6	20	22
20641-16-06RW	—	M16X1.5	10	06	47.7	5.5	22.5	22
20641-18-06TRW	—	M18X1.5	10	06	47	5.5	21.8	22
20641-20-08RW	20642-20-08RW	M20X1.5	12	08	62.9	6.5	26.5	27
20641-22-08TRW	20642-22-08TRW	M22X1.5	12	08	60	6	23.6	27
20641-24-10RW	20642-24-10RW	M24X1.5	16	10	73.8	6.5	28.5	30
20641-26-10TRW	20642-26-10TRW	M26X1.5	16	10	72.4	6	27.1	32
20641-27-10DTRW	20642-27-10DTRW	M27X1.5	16	10	72.4	6	27.1	32
20641-27-10TRW	20642-27-10TRW	M27X2	16	10	72.4	8	27.1	32
20641-30-10DTRW	20642-30-10DTRW	M30X1.5	16	10	73.1	5.5	27.8	36
20641-30-12DTRW	20642-30-12DTRW	M30X1.5	20	12	76.4	5.5	30.6	36
20641-30-12TRW	20642-30-12TRW	M30X2	20	12	76.4	5.5	30.6	36
20641-36-16TRW	20642-36-16TRW	M36X2	25	16	89.6	6.5	33.2	41
20641-39-16TRW	20642-39-16TRW	M39X2	25	16	91	6.5	34.6	46
20641-45-20TRW	20642-45-20TRW	M45X2	32	20	100.6	8.5	38.7	55
20641-52-24TRW	20642-52-24TRW	M52X2	40	24	115.7	10	43	60



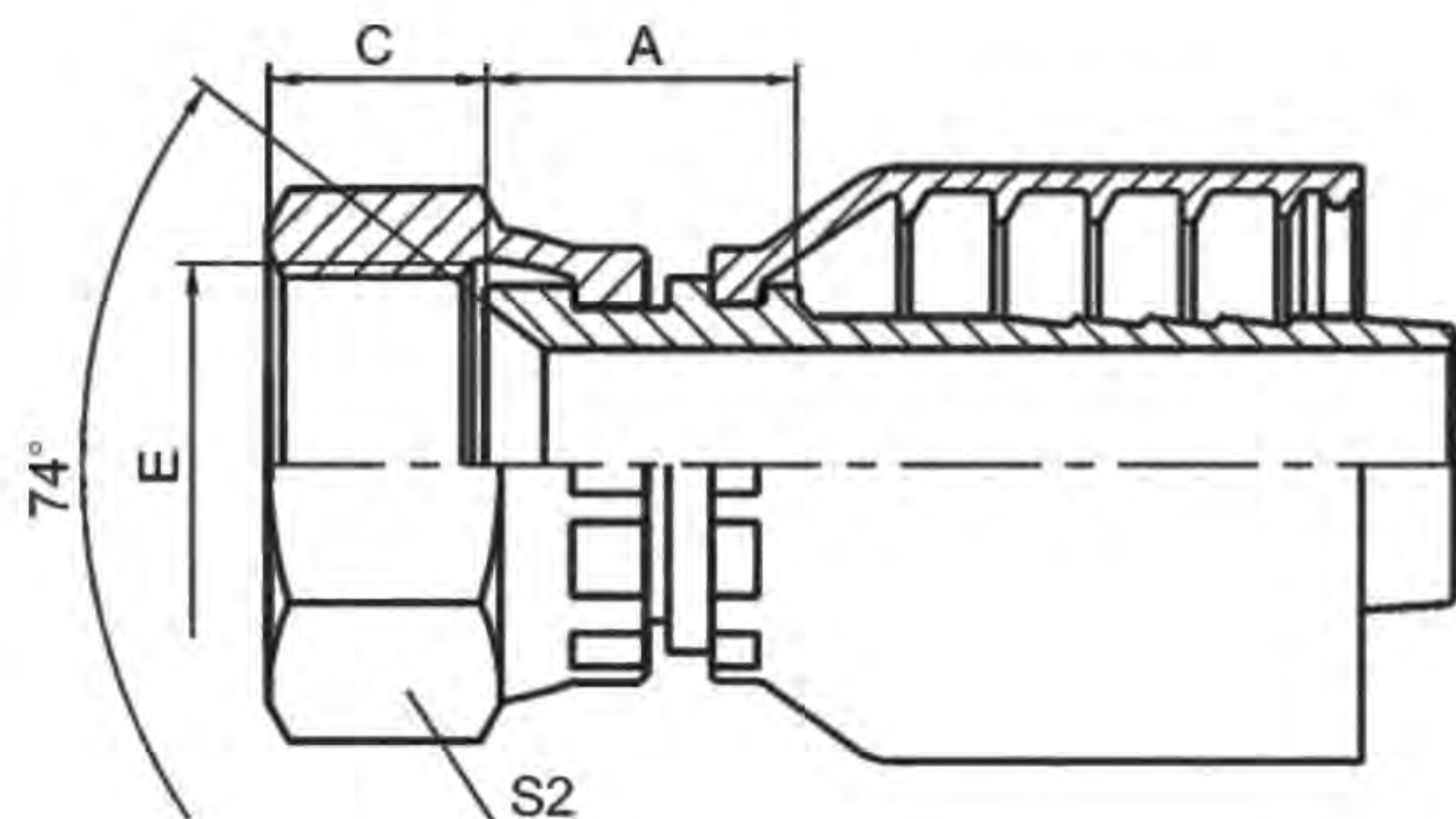
20691-RW/20692-RW
90°公制内螺纹60°外锥面
90° METRIC FEMALE 60°CONE

代号 PART NO.		螺 纹E	胶管HOSE BORE		尺 寸 DIMENSIONS			
编织 BRAIDED	缠绕 SPIRAL	THREAD E	公称内径 DN	标号 DASH	A	C	H	S2
20691-12-04RW	—	M12X1.5	6	04	31.5	4.5	37	17
20691-14-04TRW	—	M14X1.5	6	04	31.5	5	34.5	19
20691-16-05TRW	—	M16X1.5	8	05	34.5	6	38	22
20691-16-06RW	—	M16X1.5	10	06	36.3	5.5	42.8	22
20691-18-06TRW	—	M18X1.5	10	06	36.3	5.5	41.8	22
20691-20-08RW	20692-20-08RW	M20X1.5	12	08	42.5	6.5	51.5	27
20691-22-08TRW	20692-22-08TRW	M22X1.5	12	08	42.5	6	47.5	27
20691-24-10RW	20692-24-10RW	M24X1.5	16	10	57	6.5	57	30
20691-26-10TRW	20692-26-10TRW	M26X1.5	16	10	57	6	55	32
20691-27-10DTRW	20692-27-10DTRW	M27X1.5	16	10	57	6	55	32
20691-27-10TRW	20692-27-10TRW	M27X2	16	10	57	8	55	32
20691-30-10DTRW	20692-30-10DTRW	M30X1.5	16	10	57	5.5	56	36
20691-30-12DTRW	20692-30-12DTRW	M30X1.5	20	12	63.2	5.5	62.5	36
20691-30-12TRW	20692-30-12TRW	M30X2	20	12	63.2	5.5	62.5	36
20691-36-16TRW	20692-36-16TRW	M36X2	25	16	78.9	6.5	72.5	41
20691-39-16TRW	20692-39-16TRW	M39X2	25	16	78.9	6.5	74.5	46
20691-45-20TRW	20692-45-20TRW	M45X2	32	20	92.7	8.5	85.5	55
20691-52-24TRW	20692-52-24TRW	M52X2	40	24	111.4	10	99.5	60



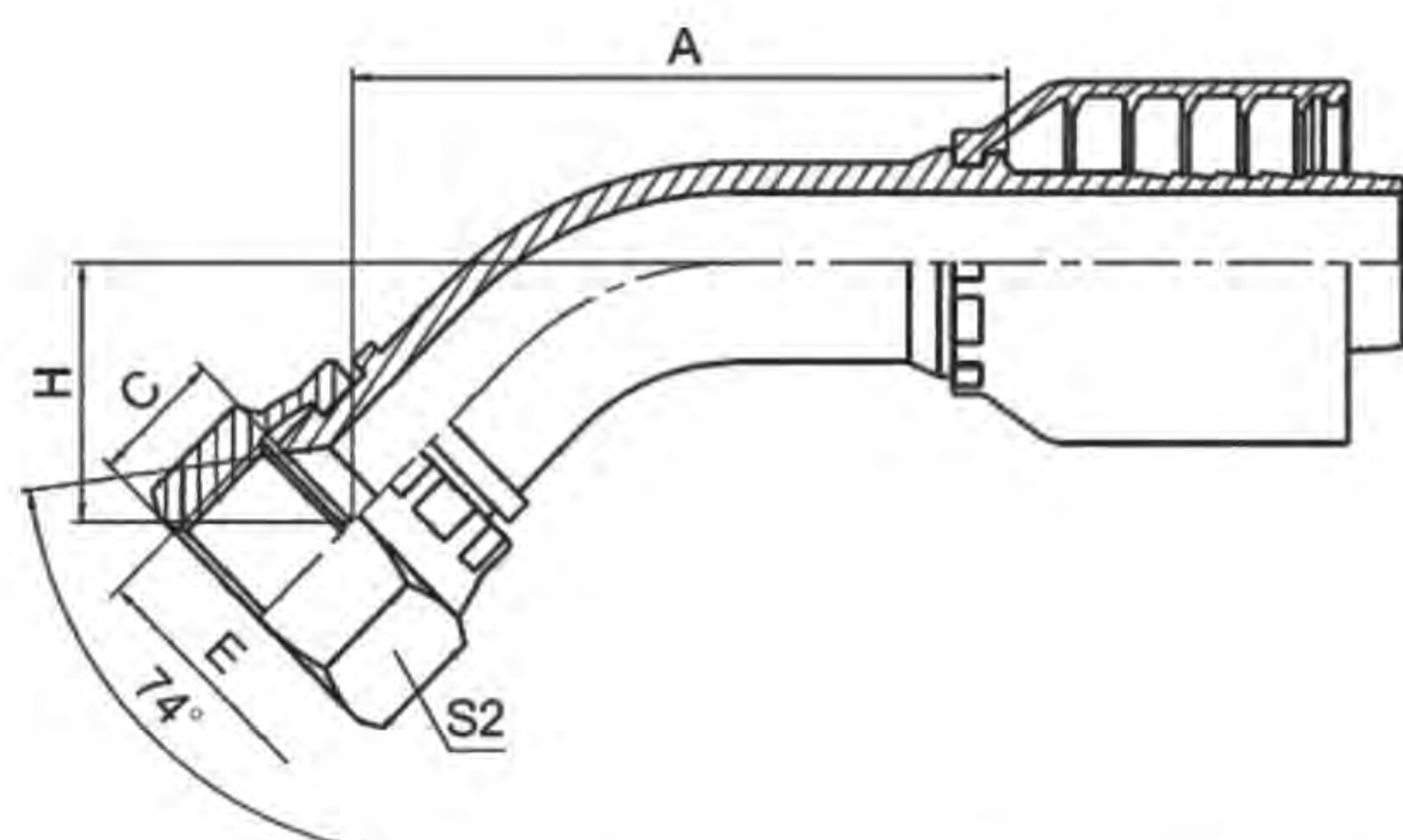
10711-RW/10712-RW
 国标公制外螺纹74°外锥面
 GB METRIC MALE 74° CONE
 参考REF. GB/T5628

代号 PART NO.		螺 纹 E	胶管 HOSE BORE		尺 寸 DIMENSIONS				
编织 BRAIDED	缠绕 SPIRAL	THREAD E	公称内径 DN	标号 DASH		A	C	S1	
10711-14-04RW	—	M14X1.5	6	04		30	18	17	
10711-14-06RW	—	M14X1.5	10	06		29.5	18	17	
10711-16-05RW	—	M16X1.5	8	05		31	19	17	
10711-16-05RW	—	M16X1.5	8	05		31	19	17	
10711-18-06RW	—	M18X1.5	10	06		30.5	19	19	
10711-22-08RW	10712-22-08RW	M22X1.5	12	08		34	19.5	22	
10711-24-08RW	10712-24-08RW	M24X1.5	12	08		34.5	20	24	
10711-27-10RW	10712-27-10RW	M27X1.5	16	10		37.5	20.5	27	
10711-30-12RW	10712-30-12RW	M30X1.5	20	12		40	23	32	
10711-33-12RW	10712-33-12RW	M33X2	20	12		43	26	36	
10711-39-16RW	10712-39-16RW	M39X2	25	16		49.7	27.5	41	
10711-42-20RW	10712-42-20RW	M42X2	32	20		50.7	28.5	46	
10711-45-20RW	10712-45-20RW	M45X2	32	20		50.7	28.5	46	



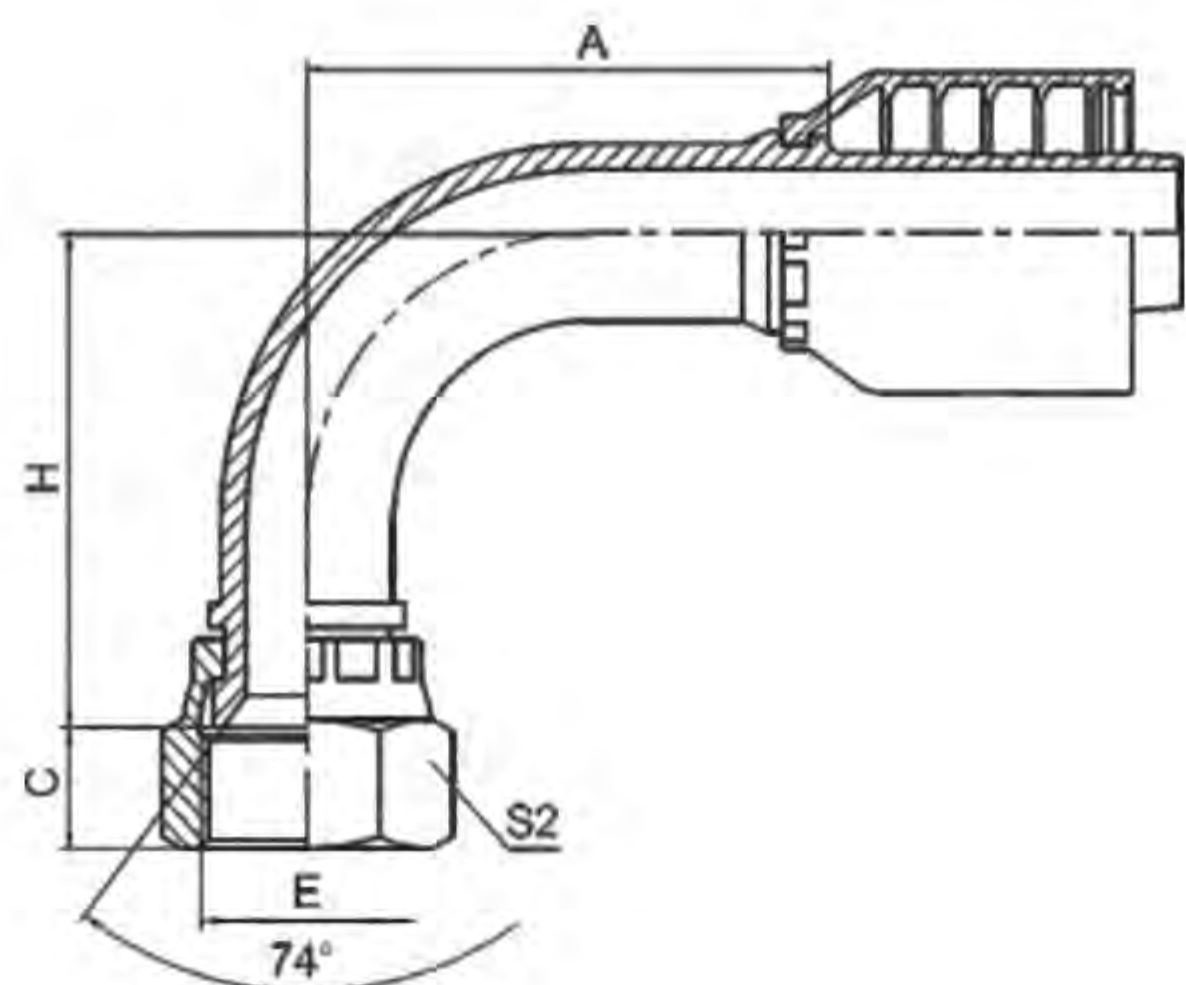
20711-RW/20712-RW
 国标公制内螺纹74°外锥面
 GB METRIC FEMALE 74° CONE
 参考REF. GB/T9065. 1

代号 PART NO.		螺纹E	胶管HOSE BORE		尺寸 DIMENSIONS		
编织 BRAIDED	缠绕 SPIRAL	THREAD E	公称内径 DN	标号 DASH	A	C	S2
20711-10-04RW	—	M10X1	6	04	16.5	7.5	14
20711-12-04RW	—	M12X1.5	6	04	16.5	10	17
20711-14-04TRW	—	M14X1.5	6	04	14.5	8.5	19
20711-14-05RW	—	M14X1.5	8	05	17	8.5	19
20711-14-06RW	—	M14X1.5	10	06	17	8.5	19
20711-16-04TRW	—	M16X1.5	6	04	15	8	22
20711-16-05TRW	—	M16X1.5	8	05	15	8	22
20711-16-06RW	—	M16X1.5	10	06	18	8	22
20711-18-05TRW	—	M18X1.5	8	05	16	8	22
20711-18-06RW	—	M18X1.5	10	06	19	10	24
20711-20-06TRW	—	M20X1.5	10	06	16	10	24
20711-20-08RW	20712-20-08RW	M20X1.5	12	08	20.5	10	27
20711-22-08TRW	20711-22-08TRW	M22X1.5	12	08	17	10	27
20711-22-10RW	20712-22-10RW	M22X1.5	16	10	21	10	27
20711-24-08TRW	20712-24-08TRW	M24X1.5	12	08	17	11	30
20711-27-08TRW	20712-27-08TRW	M27X1.5	12	08	19	11	32
20711-27-10TRW	20712-27-10TRW	M27X1.5	16	10	19.5	11	32
20711-30-10TRW	20712-30-10TRW	M30X1.5	16	10	20	11	36
20711-30-12TRW	20712-30-12TRW	M30X1.5	20	12	19	13	36
20711-33-12TRW	20712-3-12TRW	M33X2	20	12	18.5	13	41
20711-36-16TRW	20712-36-16TRW	M36X2	25	16	21.7	14	41
20711-39-16TRW	20712-39-16TRW	M39X2	25	16	24.7	14	46
20711-42-16TRW	20712-42-16TRW	M42X2	25	16	23.7	15	50
20711-42-20WRW	20712-42-20WRW	M42X2	32	20	30.2	15	50
20711-45-20TRW	20712-45-20TRW	M45X2	32	20	23.7	15	55
20711-52-2T4RW	20712-52-24TRW	M52X2	40	24	24.5	17	60



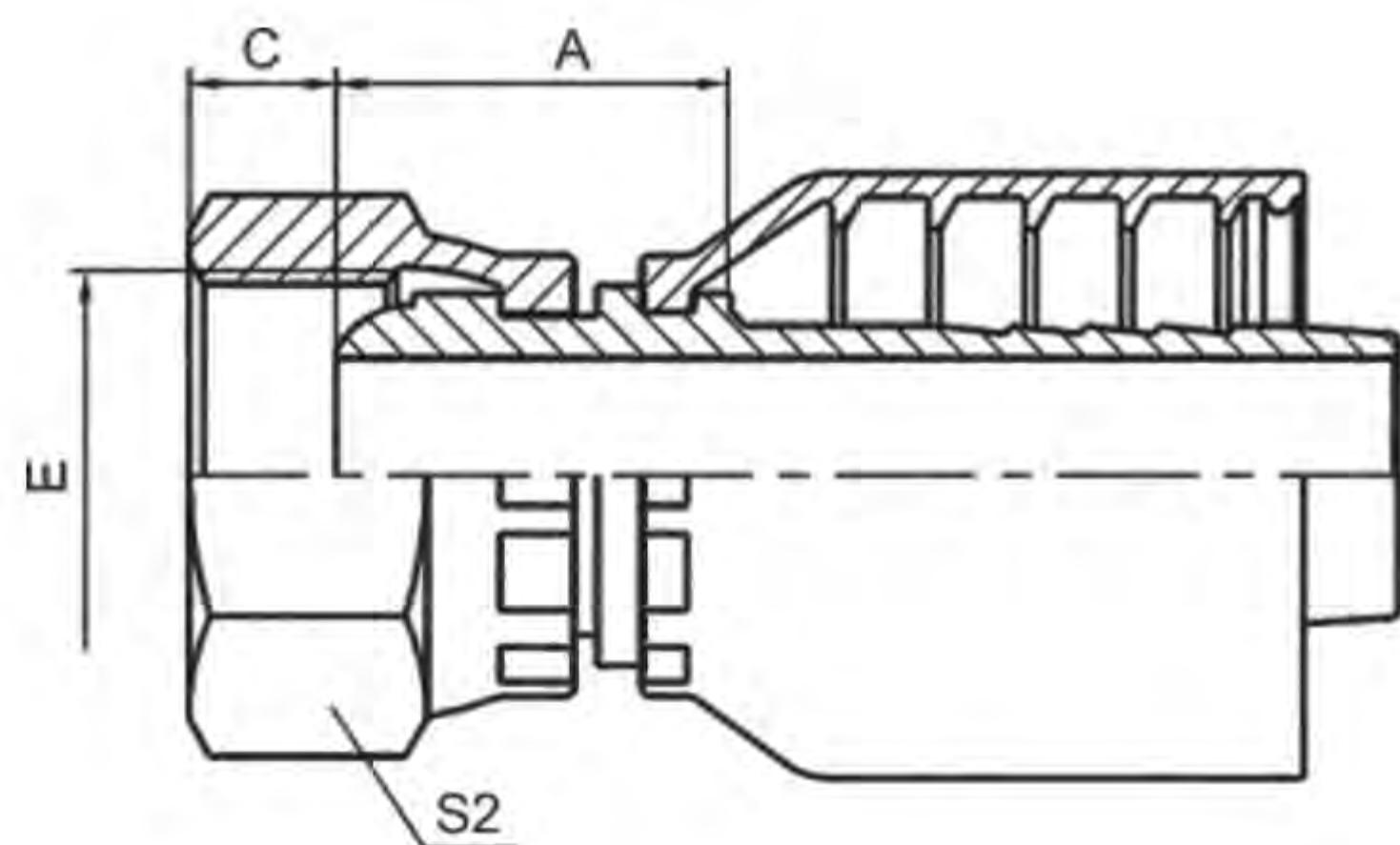
20741-RW/20742-RW
 45° 国标公制内螺纹74°外锥面
 45° GB METRIC FEMALE 74° CONE
 参考REF. GB/T9065. 1

代号 PART NO.		螺纹E	胶管HOSE BORE		尺寸 DIMENSIONS			
编织 BRAIDED	缠绕 SPIRAL	THREAD E	公称内径 DN	标号 DASH	A	C	H	S2
20741-10-04RW	—	M10X1	6	04	41.7	7.5	18.1	14
20741-12-04RW	—	M12X1.5	6	04	41.7	10	18.1	17
20741-14-04TRW	—	M14X1.5	6	04	40.6	8.5	17	19
20741-14-05RW	—	M14X1.5	8	05	44.1	8.5	19.3	19
20741-14-06RW	—	M14X1.5	10	06	45.2	8.5	20	19
20741-16-04TRW	—	M16X1.5	6	04	41	8	17.4	22
20741-16-05TRW	—	M16X1.5	8	05	43.1	8	18.3	22
20741-16-06RW	—	M16X1.5	10	06	45.9	8	20.7	22
20741-18-05TRW	—	M18X1.5	8	05	43.8	8	19	22
20741-18-06RW	—	M18X1.5	10	06	46.6	10	21.4	24
20741-20-06TRW	—	M20X1.5	10	06	45.2	10	20	24
20741-20-08RW	20742-20-08RW	M20X1.5	12	08	60.4	10	24	27
20741-22-08TRW	20742-22-08TRW	M22X1.5	12	08	57.9	10	21.5	27
20741-22-10RW	20742-22-10RW	M22X1.5	16	10	70.6	10	25.3	27
20741-24-08TRW	20742-24-08TRW	M24X1.5	12	08	57.9	11	21.5	30
20741-27-08TRW	20742-27-08TRW	M27X1.5	12	08	59.3	11	22.9	32
20741-27-10TRW	20742-27-10TRW	M27X1.5	16	10	69.5	11	24.2	32
20741-30-10TRW	20742-30-10TRW	M30X1.5	16	10	69.9	11	24.6	36
20741-30-12TRW	20742-30-12TRW	M30X1.5	20	12	73.2	13	27.4	36
20741-33-12TRW	20742-33-12TRW	M33X2	20	12	72.8	13	27	41
20741-36-16TRW	20742-36-16TRW	M36X2	25	16	85	14	28.6	41
20741-39-16TRW	20742-39-16TRW	M39X2	25	16	87.2	14	30.8	46
20741-42-16TRW	20742-42-16TRW	M42X2	25	16	86.5	15	30.1	50
20741-42-20WRW	20742-42-20RW	M42X2	32	20	97.8	15	38.7	50
20741-45-20TRW	20742-45-20TRW	M45X2	32	20	96.1	15	34.2	55
20741-52-24TRW	20742-52-24TRW	M52X2	40	24	110.8	17	38.1	60



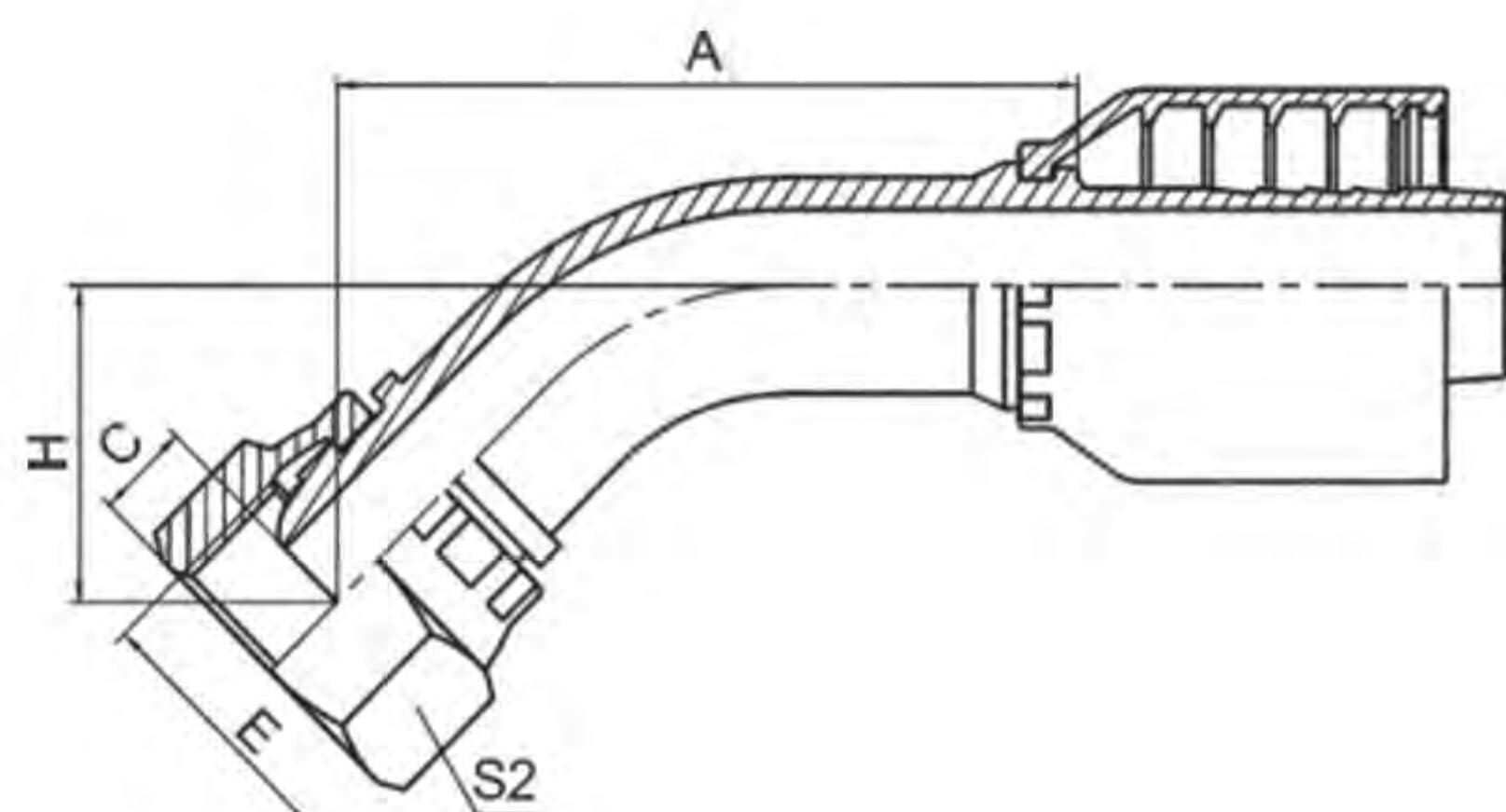
20791-RW/20792-RW
 90° 国标公制内螺纹74°外锥面
 90° GB METRIC FEMALE 74° CONE
 参考REF. GB/T9065. 1

代号 PART NO.		螺 纹E	胶管HOSE BORE		尺寸 DIMENSIONS			
编织 BRAIDED	缠绕 SPIRAL	THREAD E	公称内径 DN	标号 DASH	A	C	H	S2
20791-10-04RW	—	M10X1	6	04	31.5	7.5	33.5	14
20791-12-04RW	—	M12X1.5	6	04	31.5	10	33.5	17
20791-14-04TRW	—	M14X1.5	6	04	31.5	8.5	32	19
20791-14-05RW	—	M14X1.5	8	05	34.5	8.5	37	19
20791-14-06RW	—	M14X1.5	10	06	36.3	8.5	39.3	19
20791-16-04TRW	—	M16X1.5	6	04	31.5	8	32.5	22
20791-16-05TRW	—	M16X1.5	8	05	34.5	8	35.5	22
20791-16-06RW	—	M16X1.5	10	06	36.3	8	40.3	22
20791-18-05TRW	—	M18X1.5	8	05	34.5	8	36.5	22
20791-18-06RW	—	M18X1.5	10	06	36.3	10	41.3	24
20791-20-06TRW	—	M20X1.5	10	06	36.3	10	39.3	24
20791-20-08RW	20792-20-08RW	M20X1.5	12	08	42.5	10	48	27
20791-22-08TRW	20792-22-08TRW	M22X1.5	12	08	42.5	10	44.5	27
20791-22-10RW	20792-22-10RW	M22X1.5	16	10	57	10	52.5	27
20791-24-08TRW	20792-24-08TRW	M24X1.5	12	08	42.5	11	44.5	30
20791-27-08TRW	20792-27-08TRW	M27X1.5	12	08	42.5	11	46.5	32
20791-27-10TRW	20792-27-10TRW	M27X1.5	16	10	57	11	51	32
20791-30-10TRW	20792-30-10TRW	M30X1.5	16	10	57	11	51.5	36
20791-30-12TRW	20792-30-12TRW	M30X1.5	20	12	63.2	13	58	36
20791-33-12TRW	20792-33-12TRW	M33X2	20	12	63.2	13	57.5	41
20791-36-16TRW	20792-36-16TRW	M36X2	25	16	78.9	14	66	41
20791-39-16TRW	20792-39-16TRW	M39X2	25	16	78.9	14	69	46
20791-42-16TRW	20792-42-16TRW	M42X2	25	16	78.9	15	68	50
20791-42-20WRW	20792-42-20WRW	M42X2	32	20	92.7	15	85.5	50
20791-45-20TRW	20792-45-20TRW	M45X2	32	20	92.7	15	79	55
20791-52-24TRW	20792-52-24TRW	M52X2	40	24	111.4	17	92.5	60



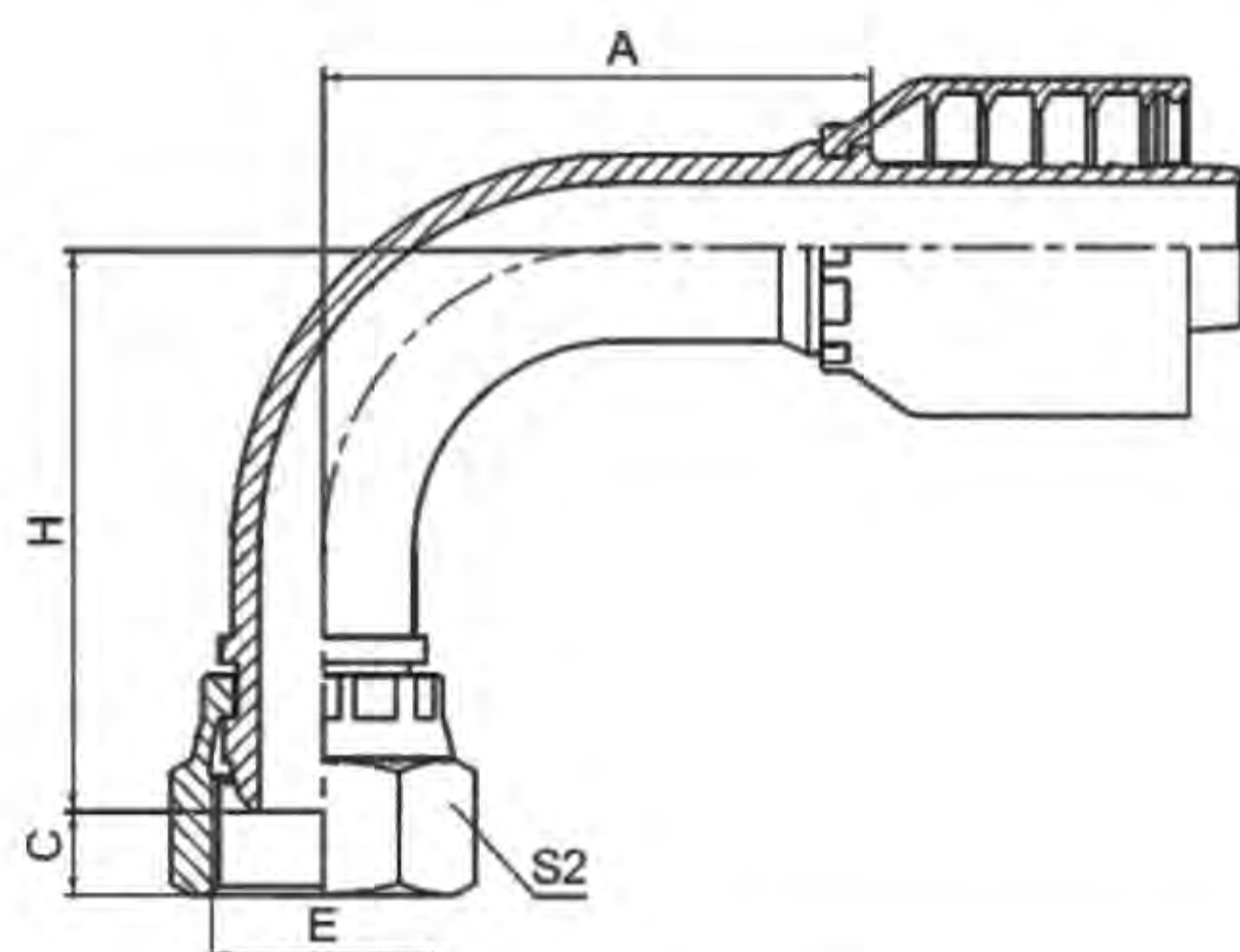
20111-RW/20112-RW
公制内螺纹球面
METRIC FEMALE MULTISEAL

代号 PART NO.		螺 纹E	胶管HOSE BORE		尺 寸 DIMENSIONS		
编织 BRAIDED	缠绕 SPIRAL	THREAD E	公称内径 DN	标号 DASH	A	C	S2
20111-10-04RW	—	M10X1	6	04	20	2.5	14
20111-12-04RW	—	M12X1.5	6	04	20.5	4	17
20111-12-05RW	—	M12X1.5	8	05	20.5	4	17
20111-14-04TRW	—	M14X1.5	6	04	18.5	4	19
20111-14-05RW	—	M14X1.5	8	05	21	4.5	19
20111-16-04TRW	—	M16X1.5	6	04	18.5	5	22
20111-16-05TRW	—	M16X1.5	8	05	18.5	5	22
20111-16-06RW	—	M16X1.5	10	06	21.5	4.5	22
20111-18-05TRW	—	M18X1.5	8	05	20.5	4	22
20111-18-06TRW	—	M18X1.5	10	06	20	4	22
20111-18-08RW	20112-18-08RW	M18X1.5	12	08	24	4	24
20111-20-06TRW	—	M20X1.5	10	06	20.5	5.5	24
20111-20-08RW	20112-20-08RW	M20X1.5	12	08	24.5	5.5	27
20111-22-06TRW	—	M22X1.5	10	06	21	5	27
20111-22-08TRW	20112-22-08TRW	M22X1.5	12	08	22	5	27
20111-22-10RW	20112-22-10RW	M22X1.5	16	10	26	5	27
20111-24-10RW	20112-24-10RW	M24X1.5	16	10	27	5	30
20111-24-08TRW	20112-24-08TRW	M24X1.5	12	08	22.5	5.5	30
20111-27-08DTRW	20112-27-08DTRW	M27X1.5	12	08	23.5	5.5	32
20111-27-10DTRW	20112-27-10DTRW	M27X1.5	16	10	24	5.5	32
20111-27-12DRW	20112-27-12DRW	M27X1.5	20	12	27.5	5.5	32
20111-27-10TRW	20112-27-10TRW	M27X2	16	10	24	7	32
20111-30-12DTRW	20112-30-12DTRW	M30X1.5	20	12	23.5	6	36
20111-30-12TRW	20112-30-12TRW	M30X2	20	12	23.5	7	41
20111-36-12TRW	20112-36-12TRW	M36X2	20	12	24.5	8	41
20111-39-16TRW	20112-39-16TRW	M39X2	25	16	29.7	7	46
20111-42-16TRW	20112-42-16TRW	M42X2	25	16	29.7	8.5	50
20111-45-20TRW	20112-45-20TRW	M45X2	32	20	30.2	8.5	55
20111-52-20TRW	20112-52-20TRW	M52X2	32	20	31.7	9	60
20111-52-24TRW	20112-52-24TRW	M52X2	40	24	32.5	9	60
20111-64-32TRW	20112-64-32TRW	M64X2	50	32	38	14	75



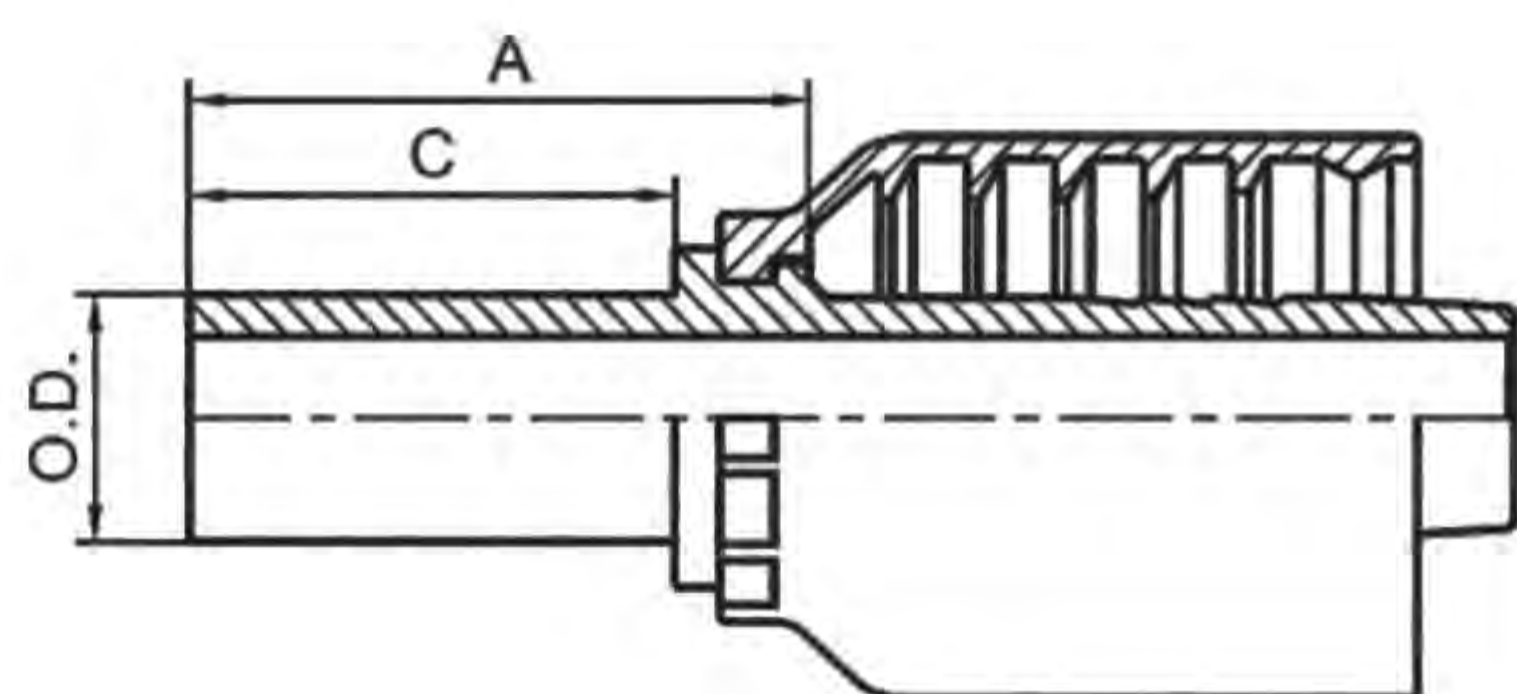
20141-RW/20142-RW
45°公制内螺纹球面
45° METRIC FEMALE MULTISEAL

代号 PART NO.		螺纹E	胶管HOSE BORE		尺寸 DIMENSIONS			
编织 BRAIDED	缠绕 SPIRAL	THREAD E	公称内径 DN	标号 DASH	A	C	H	S2
20141-10-04RW	—	M10X1	6	04	44.1	2.5	20.5	14
20141-12-04RW	—	M12X1.5	6	04	44.5	4	20.9	17
20141-12-05RW	—	M12X1.5	8	05	46.6	4	21.8	17
20141-14-04TRW	—	M14X1.5	6	04	43.4	4	19.8	19
20141-14-05RW	—	M14X1.5	8	05	47	4.5	22.2	19
20141-16-04TRW	—	M16X1.5	6	04	43.4	5	19.8	22
20141-16-05TRW	—	M16X1.5	8	05	45.5	5	20.7	22
20141-16-06RW	—	M16X1.5	10	06	48.4	4.5	23.2	22
20141-18-05TRW	—	M18X1.5	8	05	47	4	22.2	22
20141-18-06TRW	—	M18X1.5	10	06	48.1	4	22.9	22
20141-18-08RW	20142-18-08RW	M18X1.5	12	08	62.9	4	26.5	24
20141-20-06TRW	—	M20X1.5	10	06	48.4	5.5	23.2	24
20141-20-08RW	20142-20-08RW	M20X1.5	12	08	63.2	5.5	26.8	27
20141-22-06TRW	—	M22X1.5	10	06	48.8	5	23.6	27
20141-22-08TRW	20142-22-08TRW	M22X1.5	12	08	61.5	5	25.1	27
20141-22-10RW	20142-22-10RW	M22X1.5	16	10	74.1	5	28.8	27
20141-24-10RW	20142-24-10RW	M24X1.5	16	10	74.8	5	29.5	30
20141-24-08TRW	20142-24-08TRW	M24X1.5	12	08	61.8	5.5	25.4	30
20141-27-08DTRW	20142-27-08DTRW	M27X1.5	12	08	62.5	5.5	26.1	32
20141-27-10DTRW	20142-27-10DTRW	M27X1.5	16	10	72.7	5.5	27.4	32
20141-27-12DRW	20142-27-12DRW	M27X1.5	20	12	78.8	5.5	33	32
20141-27-10TRW	20142-27-10TRW	M27X2	16	10	72.7	7	27.4	32
20141-30-12DTRW	20142-30-12DTRW	M30X1.5	20	12	76.4	6	30.6	36
20141-30-12TRW	20142-30-12TRW	M30X2	20	12	76.4	7	30.6	41
20141-36-12TRW	20142-36-12TRW	M36X2	20	12	77.1	8	31.3	41
20141-39-16TRW	20142-39-16TRW	M39X2	25	16	90.7	7	34.3	46
20141-42-16TRW	20142-42-16TRW	M42X2	25	16	90.7	8.5	34.3	50
20141-45-20TRW	20142-45-20TRW	M45X2	32	20	100.6	8.5	38.7	55
20141-52-20TRW	20142-52-20TRW	M52X2	32	20	101.7	9	39.8	60
20141-52-24TRW	20142-52-24TRW	M52X2	40	24	116.4	9	43.7	60
20141-64-32TRW	20142-64-32TRW	M64X2	50	32	142.1	14	52.3	75



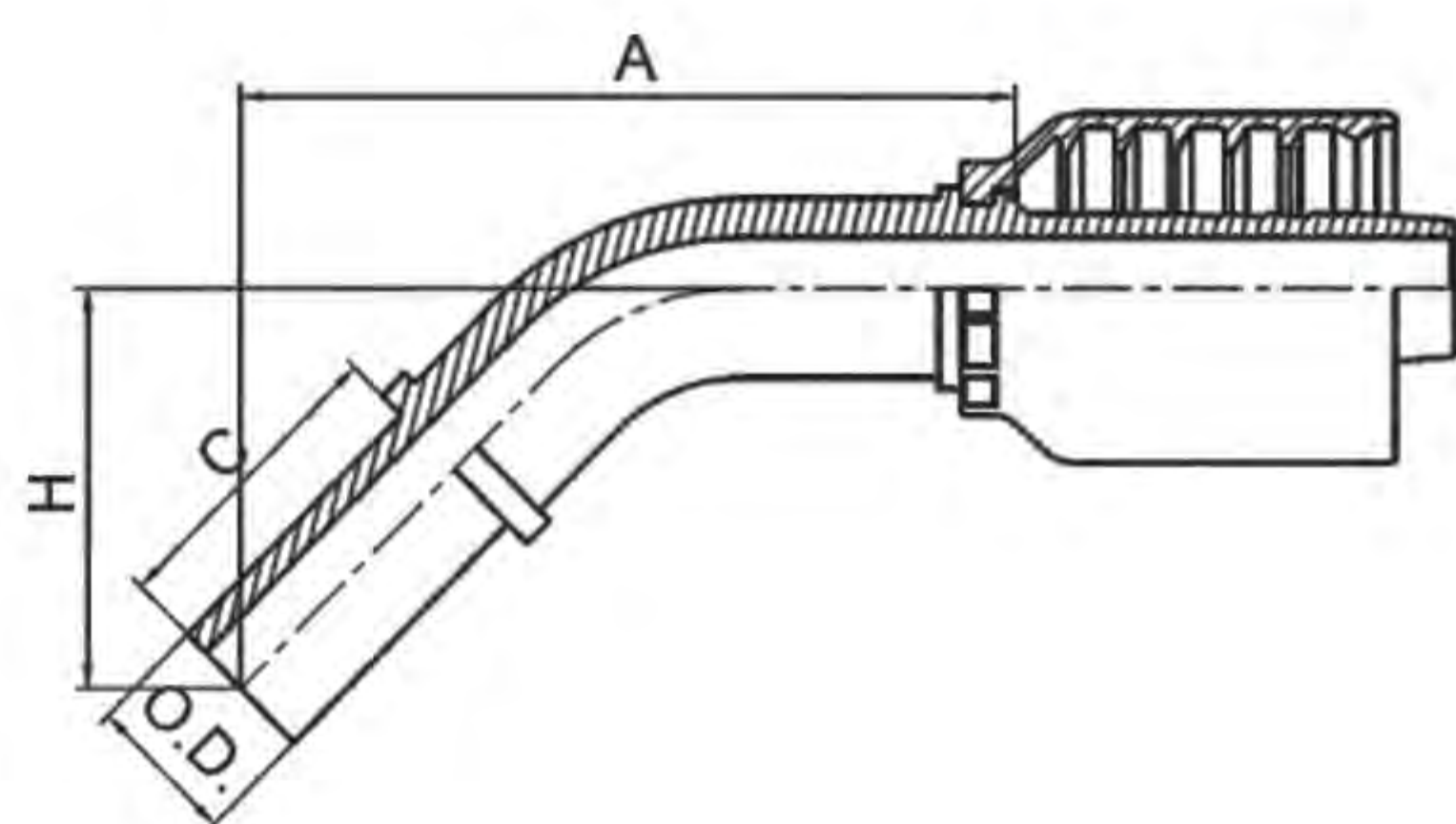
20191-RW/20192-RW
90°公制内螺纹球面
90° METRIC FEMALE MULTISEAL

代号 PART NO.		螺 纹E	胶管HOSE BORE		尺 寸 DIMENSIONS			
编织 BRAIDED	缠绕 SPIRAL	THREAD E	公称内径 DN	标号 DASH	A	C	H	S2
20191-10-04RW	—	M10X1	6	04	31.5	2.5	37	14
20191-12-04RW	—	M12X1.5	6	04	31.5	4	37.5	17
20191-12-05RW	—	M12X1.5	8	05	34.5	4	40.5	17
20191-14-04TRW	—	M14X1.5	6	04	31.5	4	36	19
20191-14-05RW	—	M14X1.5	8	05	34.5	4.5	41	19
20191-16-04TRW	—	M16X1.5	6	04	31.5	5	36	22
20191-16-05TRW	—	M16X1.5	8	05	34.5	5	39	22
20191-16-06RW	—	M16X1.5	10	06	36.3	4.5	43.8	22
20191-18-05TRW	—	M18X1.5	8	05	34.5	4	41	22
20191-18-06TRW	—	M18X1.5	10	06	36.3	4	43.3	22
20191-18-08RW	20192-18-08RW	M18X1.5	12	08	42.5	4	51.5	24
20191-20-06TRW	—	M20X1.5	10	06	36.3	5.5	43.8	24
20191-20-08RW	20192-20-08RW	M20X1.5	12	08	42.5	5.5	52	27
20191-22-06TRW	—	M22X1.5	10	06	36.3	5	44.3	27
20191-22-08TRW	20192-22-08TRW	M22X1.5	12	08	42.5	5	49.5	27
20191-22-10RW	20192-22-10RW	M22X1.5	16	10	57	5	57.5	27
20191-24-10RW	20192-24-10RW	M24X1.5	16	10	57	5	58.5	30
20191-24-08TRW	20192-24-08TRW	M24X1.5	12	08	42.5	5.5	50	30
20191-27-08DTRW	20192-27-08DTRW	M27X1.5	12	08	42.5	5.5	51	32
20191-27-10DTRW	20192-27-10DTRW	M27X1.5	16	10	57	5.5	55.5	32
20191-27-12DRW	20192-27-12DRW	M27X1.5	20	12	63.2	5.5	66	32
20191-27-10TRW	20192-27-10TRW	M27X2	16	10	57	7	55.5	32
20191-30-12DTRW	20192-30-12DTRW	M30X1.5	20	12	63.2	6	62.5	36
20191-30-12TRW	20192-30-12TRW	M30X2	20	12	63.2	7	62.5	41
20191-36-12TRW	20192-36-12TRW	M36X2	20	12	63.2	8	63.5	41
20191-39-16TRW	20192-39-16TRW	M39X2	25	16	78.9	7	74	46
20191-42-16TRW	20192-42-16TRW	M42X2	25	16	78.9	8.5	74	50
20191-45-20TRW	20192-45-20TRW	M45X2	32	20	92.7	8.5	85.5	55
20191-52-20TRW	20192-52-20TRW	M52X2	32	20	92.7	9	87	60
20191-52-24TRW	20192-52-24TRW	M52X2	40	24	111.4	9	100.5	60
20191-64-32TRW	20192-64-32TRW	M64X2	50	32	138.6	14	122.8	75



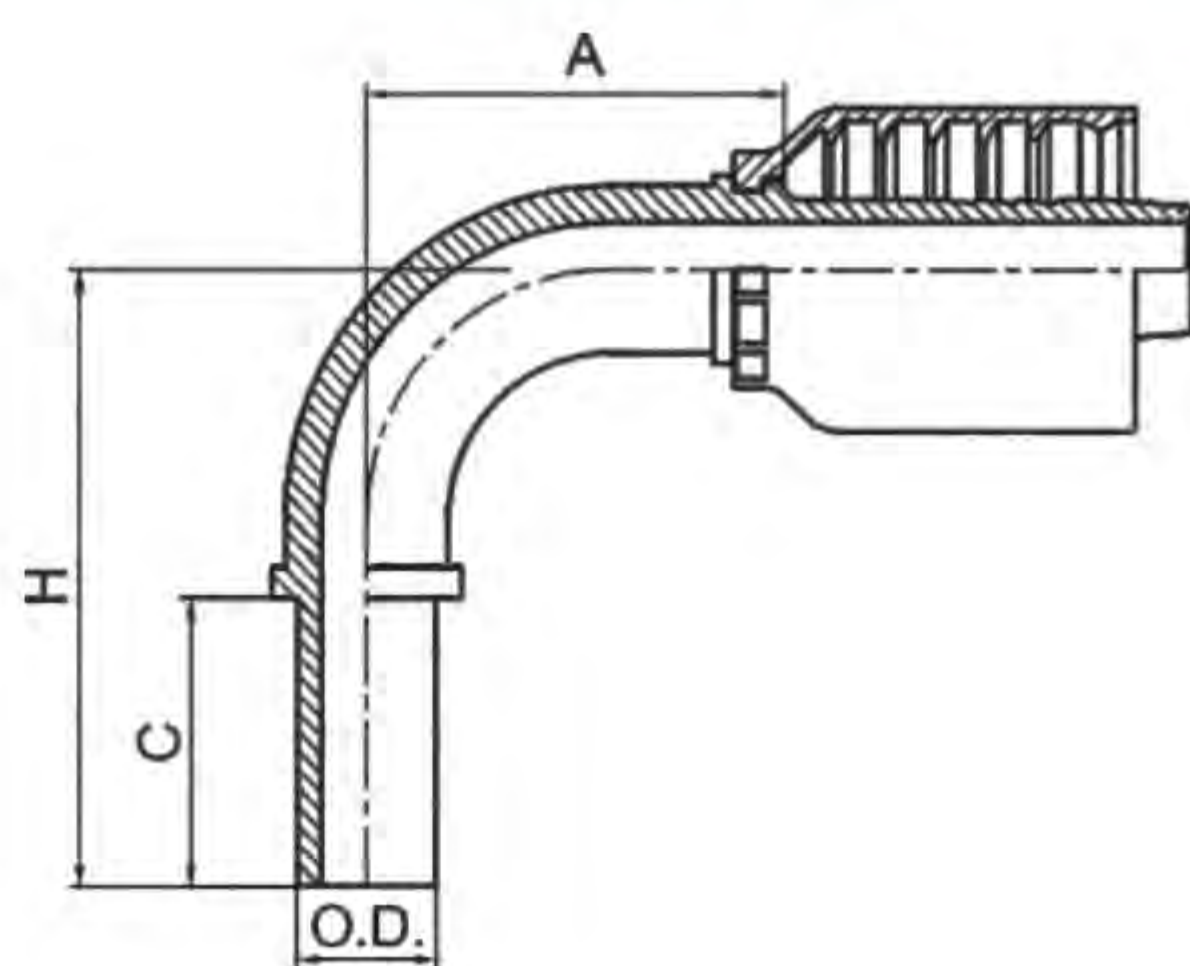
50011-RW/50012-RW
公制卡套式直管
METRIC STANDPIPE STRAIGHT
DIN 2353

代号 PART NO.		螺纹E THREAD E	胶管HOSE BORE		管子外径 TUBE O.D.	尺寸 DIMENSIONS			备注 NOTE
编织 BRAIDED	缠绕 SPIRAL		公称内径 DN	标号 DASH		A	C		
50011-06-04RW	—		6	04	6	30.5	22	轻系列	
50011-10-05RW	—		8	05	10	32.5	23		
50011-10-06RW	—		10	06	10	33	23		
50011-12-06RW	—		10	06	12	34.5	23		
50011-12-08RW	50012-12-08RW		12	08	12	33.5	23		
50011-15-06RW	50012-15-06RW		10	06	15	36.5	25		
50011-15-08RW	50012-15-08RW		12	08	15	16	25		
50011-18-08RW	50012-18-08RW		12	08	18	37	26		
50011-18-10RW	50012-18-10RW		16	10	18	42.5	26		
50011-22-10RW	50012-22-10RW		16	10	22	45.5	28		
50011-22-12RW	50012-22-12RW		20	12	22	44	28		
50011-22-16RW	50012-22-16RW		25	16	22	48.2	28		
50011-28-16RW	50012-28-16RW		25	16	28	49.2	30		
50011-35-20RW	50012-35-20RW		32	20	35	57.2	36		
50011-42-24RW	50012-42-24RW		40	24	42	64	40		
50011-08-04RW	—		6	04	8	32.5	24		重系列
50011-08-05RW	—		8	05	8	34.5	24		
50011-08-06RW	—		10	06	8	34	24		
50011-10-04RW	—		6	04	10	36.5	26		
50011-12-04RW	—		6	04	12	36	26		
50011-12-05RW	—		8	05	12	37	26		
50011-14-06RW	—		10	06	14	40.5	29		
50011-14-08RW	50012-14-08RW		12	08	14	40.5	29		
50011-14-12RW	50012-14-12RW		20	12	14	45.5	29		
50011-16-08RW	50012-16-08RW		12	08	16	41.5	30		
50011-16-10RW	50012-16-10RW		16	10	16	47	30		
50011-20-10RW	50012-20-10RW		16	10	20	54	36		
50011-20-12RW	50012-20-12RW		20	12	20	52.5	36		
50011-25-12RW	50012-25-12RW		20	12	25	56	40		
50011-25-16RW	50012-25-16RW		25	16	25	59.2	40		
50011-30-16RW	50012-30-16RW		25	16	30	65.2	44		
50011-30-20RW	50012-30-20RW		32	20	30	65.2	44		
50011-38-16RW	50012-38-16RW		25	16	38	71.2	50		
50011-38-20RW	50012-38-20RW		32	20	38	72	50		



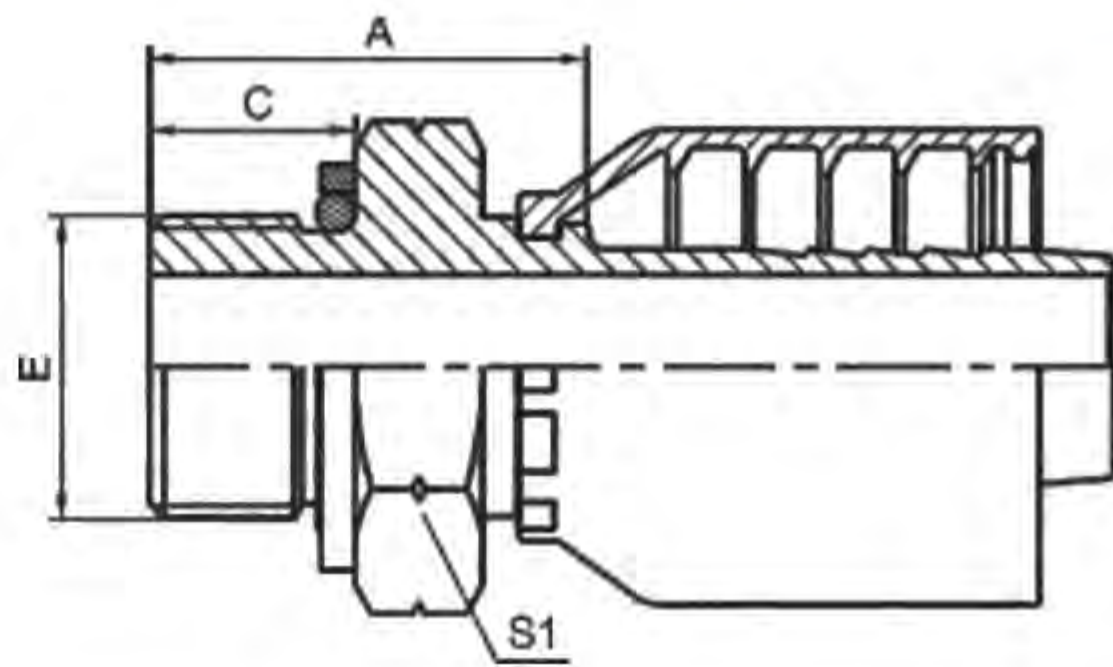
50041-RW/50042-RW
45°公制卡套式直管
45° METRIC STANDPIPE STRAIGHT
DIN 2353

代号 PART NO.		螺纹E THREAD E	胶管HOSE BORE		管子外径 TUBE O.D.	尺寸 DIMENSIONS			备注 NOTE
编织 BRAIDED	缠绕 SPIRAL		公称内径 DN	标号 DASH		A	C	H	
50041-06-04RW	—		6	04	6	53.7	22	30.1	轻系列
50041-08-05RW	—		8	05	8	57.2	24	32.4	
50041-08-06RW	—		10	06	8	58.9	24	33.1	
50041-10-05RW	—		8	05	10	55.5	23	30.6	
50041-10-06RW	—		10	06	10	57.1	23	31.3	
50041-12-06RW	—		10	06	12	59.5	23	34.5	
50041-12-08RW	50042-12-08RW		12	08	12	72.9	23	37.4	
50041-15-06RW	50042-15-06RW		10	06	15	60.3	25	34.5	
50041-15-08RW	50042-15-08RW		12	08	15	71.1	25	35.7	
50041-18-08RW	50042-18-08RW		12	08	18	73.9	26	38.5	
50041-18-10RW	50042-18-10RW		16	10	18	86.1	26	39.8	
50041-22-10RW	50042-22-10RW		16	10	22	88.6	28	42.3	
50041-22-12RW	50042-22-12RW		20	12	22	93.3	28	45.9	
50041-22-16RW	50042-22-16RW		25	16	22	103.1	28	46.7	
50041-28-16RW	50042-28-16RW		25	16	28	105.9	30	49.5	
50041-35-20RW	50042-35-20RW		32	20	35	119.7	36	57.8	
50041-42-24RW	50042-42-24RW		40	24	42	122.3	40	59.6	
50041-08-04RW	—		6	04	8	55.1	24	31.5	
50041-08-05RW	—		8	05	8	57.2	24	32.4	
50041-08-06RW	—		10	06	8	58.9	24	33.1	
50041-10-04RW	—		6	04	10	55.5	26	31.9	
50041-12-04RW	—		6	04	12	58.6	26	35.1	
50041-12-05RW	—		8	05	12	60.7	26	35.9	
50041-14-06RW	—		10	06	14	62.6	29	37.3	
50041-14-08RW	50042-14-08RW		12	08	14	74.3	29	38.8	
50041-14-12RW	50042-14-12RW		20	12	14	91.9	29	43.8	
50041-16-08RW	50042-16-08RW		12	08	16	77.1	30	41.7	
50041-16-10RW	50042-16-10RW		16	10	16	89.3	30	43	
50041-20-10RW	50042-20-10RW		16	10	20	94.3	36	48	
50041-20-12RW	50042-20-12RW		20	12	20	100.7	36	52.6	
50041-25-12RW	50042-25-12RW		20	12	25	101.8	40	54.4	
50041-25-16RW	50042-25-16RW		25	16	25	111.6	40	55.2	
50041-30-16RW	50042-30-16RW		25	16	30	115.8	44	59.4	
50041-30-20RW	50042-30-20RW		32	20	30	125.4	44	63.5	
50041-38-16RW	50042-38-16RW		25	16	38	120.1	50	63.6	
50041-38-20RW	50042-38-20RW		32	20	38	129.6	50	67.7	



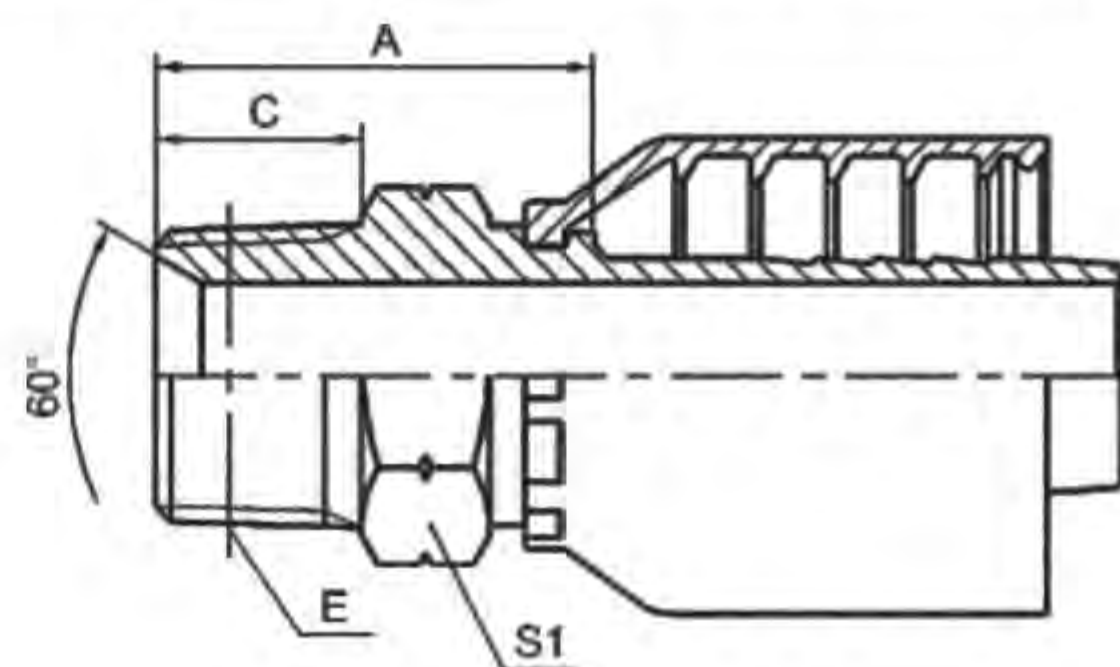
50091-RW/50092-RW
90°公制卡套式直管
90° METRIC STANDPIPE STRAIGHT
DIN 2353

代号 PART NO.		螺纹E	胶管HOSE BORE		管子外径	尺寸 DIMENSIONS			备注
编织 BRAIDED	缠绕 SPIRAL	THREAD E	公称内径 DN	标号 DASH	TUBE O.D.	A	C	H	NOTE
50091-06-04RW	—		6	04	6	31.5	22	48	轻系列
50091-08-05RW	—		8	05	8	35.5	24	55.5	
50091-08-06RW	—		10	06	8	36.8	24	57.8	
50091-10-05RW	—		8	05	10	35.5	23	53	
50091-10-06RW	—		10	06	10	36.3	23	55.3	
50091-12-06RW	—		10	06	12	36.3	23	59.8	
50091-12-08RW	50092-12-08RW		12	08	12	41.5	23	67	
50091-15-06RW	50092-15-06RW		10	06	15	36.9	25	59.8	
50091-15-08RW	50092-15-08RW		12	08	15	41.5	25	65	
50091-18-08RW	50092-18-08RW		12	08	18	41.5	26	68.5	
50091-18-10RW	50092-18-10RW		16	10	18	58	26	73	
50091-22-10RW	50092-22-10RW		16	10	22	58	28	76.5	
50091-22-12RW	50092-22-12RW		20	12	22	65.5	28	86	
50091-22-16RW	50092-22-16RW		25	16	22	78.9	28	91.5	
50091-28-16RW	50092-28-16RW		25	16	28	78.9	30	95.5	
50091-35-20RW	50092-35-20RW		32	20	35	92.7	36	112.5	
50091-42-24RW	50092-42-24RW		40	24	42	111.5	40	123	
50091-08-04RW	—		6	04	8	31.5	24	52.5	
50091-08-05RW	—		8	05	8	35.5	24	55.5	
50091-08-06RW	—		10	06	8	36.8	24	57.8	
50091-10-04RW	—		6	04	10	31.5	26	53	
50091-12-04RW	—		6	04	12	31.5	26	57.5	
50091-12-05RW	—		8	05	12	34.5	26	60.5	
50091-14-06RW	—		10	06	14	36.3	29	63.8	
50091-14-08RW	50092-14-08RW		12	08	14	41.5	29	69	
50091-14-12RW	50092-14-12RW		20	12	14	66.2	29	83	
50091-16-08RW	50092-16-08RW		12	08	16	41.5	30	73	
50091-16-10RW	50092-16-10RW		16	10	16	58	30	77.5	
50091-20-10RW	50092-20-10RW		16	10	20	58	36	84.5	
50091-20-12RW	50092-20-12RW		20	12	20	65.5	36	95.5	
50091-25-12RW	50092-25-12RW		20	12	25	65.5	40	98	
50091-25-16RW	50092-25-16RW		25	16	25	78.9	40	103.5	
50091-30-16RW	50092-30-16RW		25	16	30	80.2	44	109.5	
50091-30-20RW	50092-30-20RW		32	20	30	92.7	44	120.5	
50091-38-16RW	50092-38-16RW		25	16	38	78.9	50	115.5	
50091-38-20RW	50092-38-20RW		32	20	38	92.7	50	126.5	



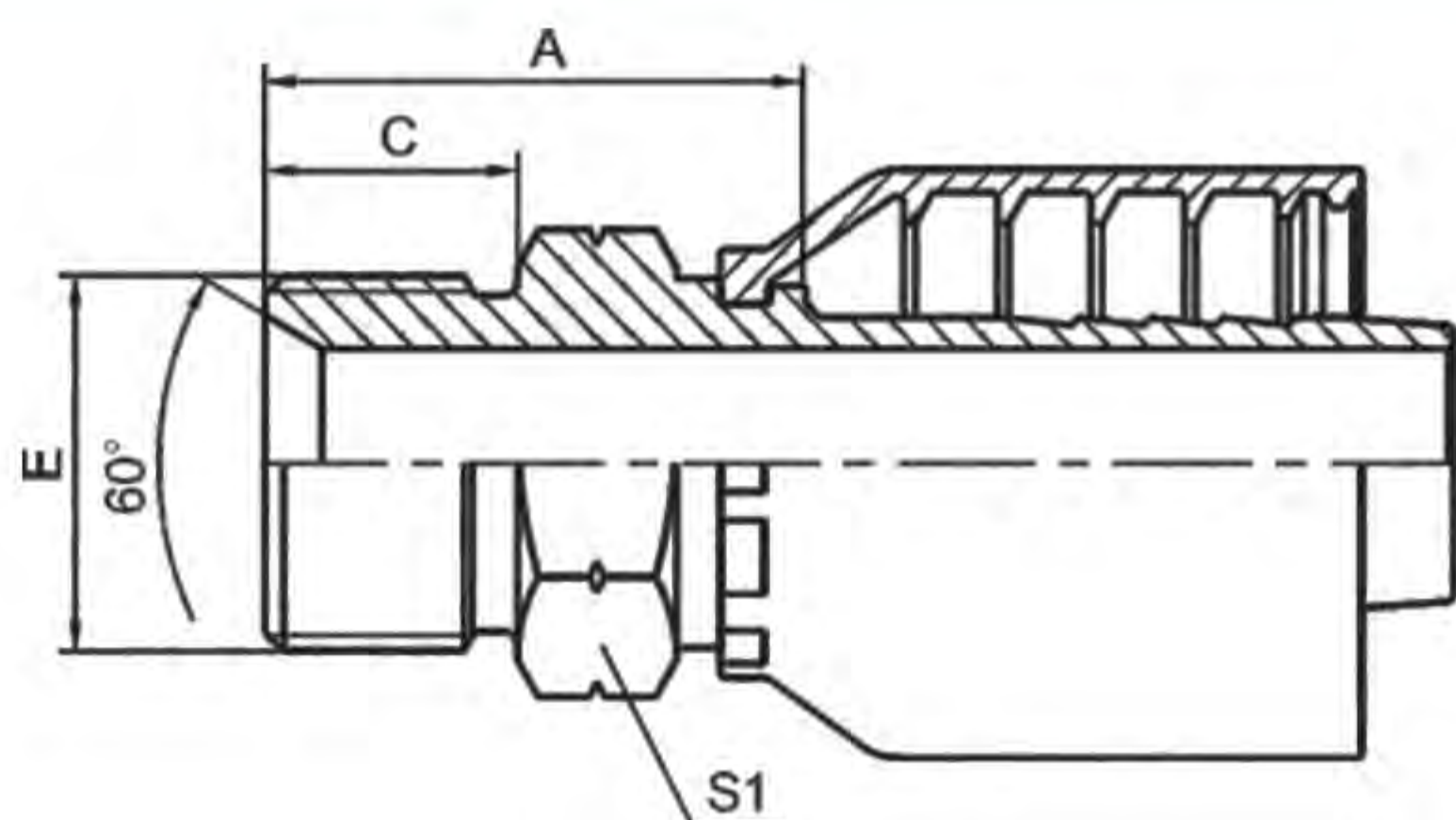
12211-RW/12212-RW
英管外螺纹O形圈密封
BSP MALE O-RING SEAL

代号 PART NO.		螺纹E	胶管HOSE BORE		O形圈	尺寸 DIMENSIONS		
编织 BRAIDED	缠绕 SPIRAL	THREAD E	公称内径 DN	标号 DASH	O RING	A	C	S1
12211-04-04RW	—	G1/4"X19	6	04	O111	23	11	19
12211-04-06RW	—	G1/4"X19	10	06	O111	22.5	11	19
12211-06-06RW	—	G3/8"X19	10	06	O113	25.5	12	22
12211-08-04RW	—	G1/2"X14	6	04	O115	30	14	27
12211-08-06RW	—	G1/2"X14	10	06	O115	29.5	14	27
12211-08-08RW	12212-08-08RW	G1/2"X14	12	08	O115	30.5	14	27
12211-10-10RW	12212-10-10RW	G5/8"X14	16	10	O910	32.5	15.5	30
12211-12-10RW	12212-12-10RW	G3/4"X14	16	10	O119	33.5	15.5	32
12211-12-12RW	12212-12-12RW	G3/4"X14	20	12	O119	32.5	15.5	32
12211-12-16RW	12212-12-16RW	G3/4"X14	25	16	O119	35.7	15.5	32
12211-16-16RW	12212-16-16RW	G1"X11	25	16	O217	40.7	18.5	41
12211-20-20RW	12212-20-20RW	G1.1/4"X11	32	20	O222	44.2	20	50



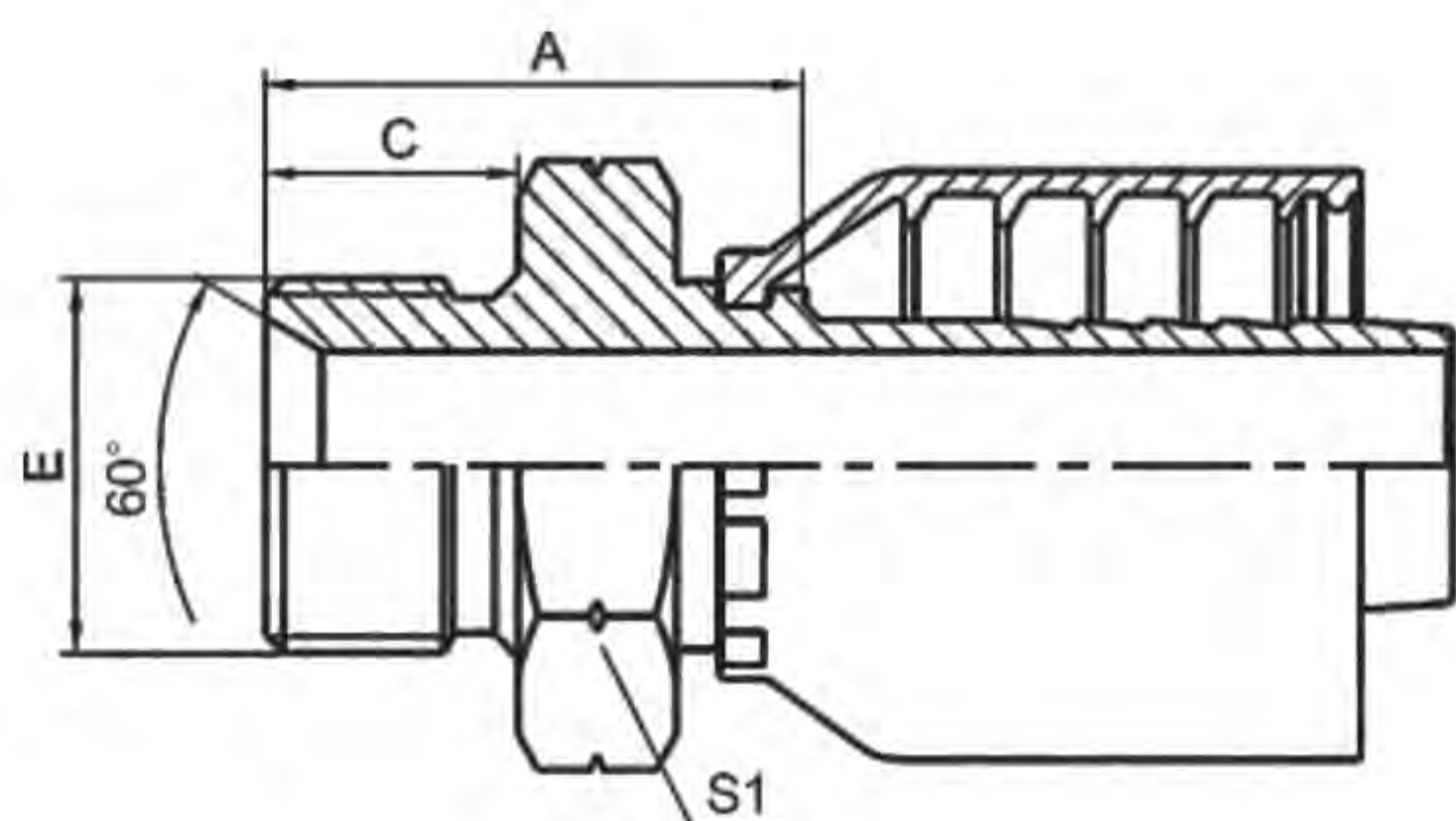
13011-SPRW/13012-SPRW
英锥管外螺纹
BSPT MALE

代号 PART NO.		螺纹E	胶管HOSE BORE			尺寸 DIMENSIONS		
编织 BRAIDED	缠绕 SPIRAL	THREAD E	公称内径 DN	标号 DASH		A	C	S1
13011-02-04SPRW	—	R1/8"X28	6	04		22	10	12
13011-04-04SPRW	—	R1/4"X19	6	04		26.5	14.5	14
13011-04-05SPRW	—	R1/4"X19	8	05		27.4	15.4	14
13011-04-06SPRW	—	R1/4"X19	10	06		26	14.5	17
13011-06-04SPRW	—	R3/8"X19	6	04		27	15	17
13011-06-05SPRW	—	R3/8"X19	8	05		27	15	17
13011-06-06SPRW	—	R3/8"X19	10	06		26.5	15	17
13011-06-08SPRW	13012-06-08SPRW	R3/8"X19	12	08		27.5	15	19
13011-08-06SPRW	—	R1/2"X14	10	06		33.5	20	22
13011-08-08SPRW	13012-08-08SPRW	R1/2"X14	12	08		34.5	20	22
13011-08-10SPRW	13012-08-10SPRW	R1/2"X14	10	06		33.5	20	22
13011-08-12SPRW	13012-08-12SPRW	R1/2"X14	20	12		36	20	27
13011-12-08SPRW	13012-12-08SPRW	R3/4"X14	12	08		36.5	20	27
13011-12-10SPRW	13012-12-10SPRW	R3/4"X14	16	10		37	20	27
13011-12-12SPRW	13012-12-12SPRW	R3/4"X14	20	12		36	20	27
13011-12-16SPRW	13012-12-16SPRW	R3/4"X14	25	16		40.2	20	32
13011-16-12SPRW	13012-16-12SPRW	R1"X11	20	12		42.5	25.5	36
13011-16-16SPRW	13012-16-16SPRW	R1"X11	25	16		45.7	25.5	36
13011-20-20SPRW	13012-20-20SPRW	R1.1/4"X11	32	20		48.7	26.5	46
13011-24-24SPRW	13012-24-24SPRW	R1.1/2"X11	40	24		51.5	26.5	50
13011-32-24SPRW	13012-32-24SPRW	R2"X11	40	24		57	30	65
13011-32-32SPRW	13012-32-32SPRW	R2"X11	50	32		60.5	30	65



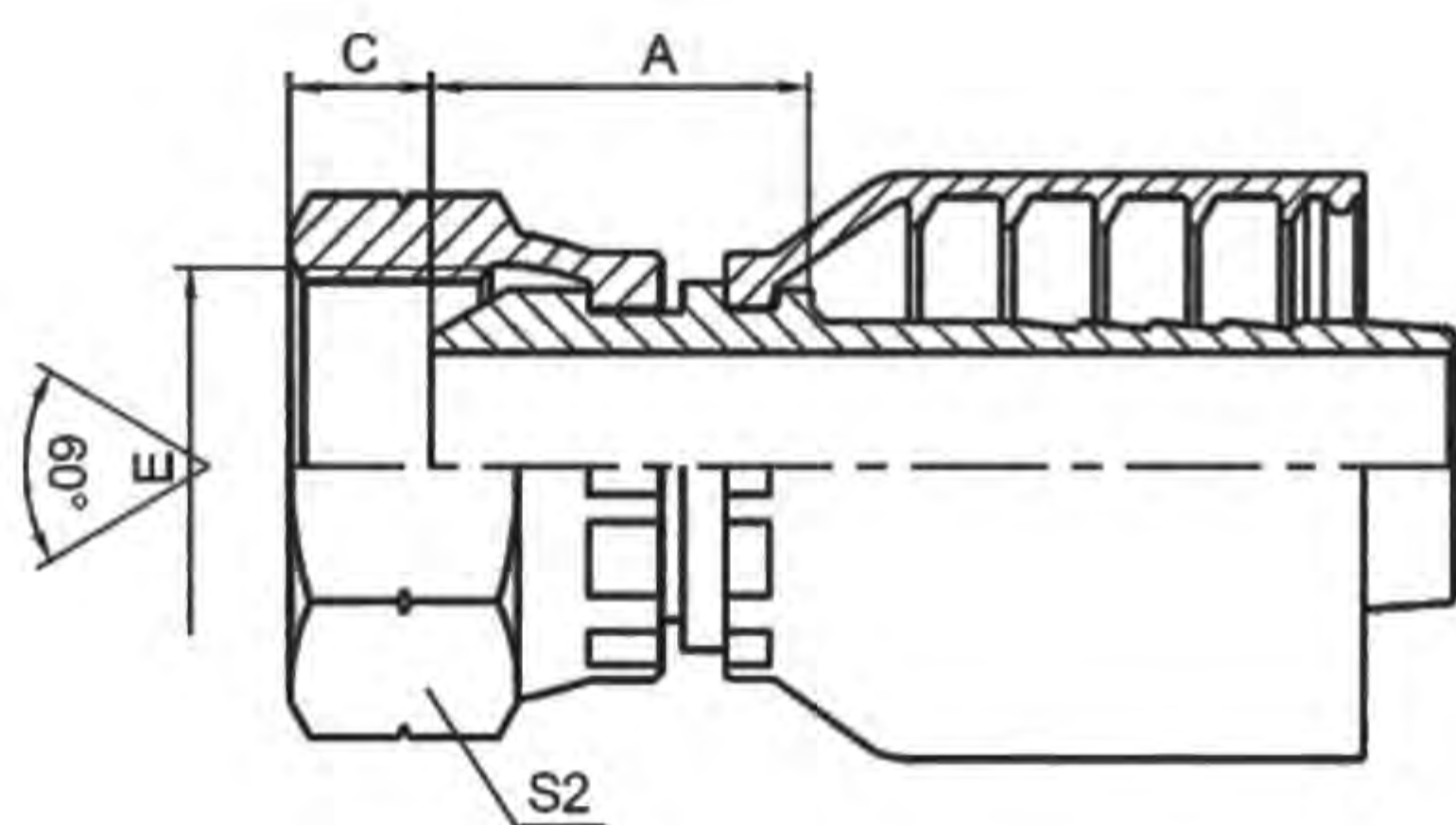
12611-RW/12612-RW
英管外螺纹60°内锥面
B MALE 60°CONE SEAT

代号 PART NO.		螺纹E	胶管HOSE BORE		尺寸 DIMENSIONS		
编织 BRAIDED	缠绕 IRAL	THREAD E	公称内径 DN	标号 DASH	A	C	S1
12611-02-04RW	—	G1/8"X28	6	04	22	10	12
12611-02-04RW	—	G1/4"X19	6	04	24	12	14
12611-02-04RW	—	G1/4"X19	8	05	24	12	14
12611-02-04RW	—	G1/4"X19	10	06	23.5	12	14
12611-02-04RW	—	G3/8"X19	6	04	25.5	13.5	17
12611-02-04RW	—	G3/8"X19	8	05	25.5	13.5	17
12611-02-04RW	—	G3/8"X19	10	06	25	13.5	17
12611-02-04RW	12612-02-04RW	G3/8"X19	12	08	26	13.5	19
12611-08-06RW	12612-08-06RW	G1/2"X14	10	06	29.5	16	22
12611-08-08RW	12612-08-08RW	G1/2"X14	12	08	30.5	16	22
12611-08-10RW	12612-08-10RW	G1/2"X14	10	06	29.5	16	22
12611-08-12RW	12612-08-12RW	G1/2"X14	20	12	32	16	27
12611-12-08RW	12612-12-08RW	G3/4"X14	12	08	35	18.5	27
12611-12-10RW	12612-12-10RW	G3/4"X14	16	10	35.5	18.5	27
12611-12-12RW	12612-12-12RW	G3/4"X14	20	12	34.5	18.5	27
12611-12-16RW	12612-12-16RW	G3/4"X14	25	16	38.7	18.5	32
12611-16-12RW	12612-16-12RW	G1"X11	20	12	37.5	20.5	36
12611-16-16RW	12612-16-16RW	G1"X11	25	16	40.7	20.5	36
12611-20-20RW	12612-20-20RW	G1.1/4"X11	32	20	42.7	20.5	46
12611-24-24RW	12612-24-24RW	G1.1/2"X11	40	24	48	23	50
12611-32-24RW	12612-32-24RW	G2"X11	40	24	52.5	25.5	65
12611-32-32RW	12612-32-32RW	G2"X11	50	32	56	25.5	65



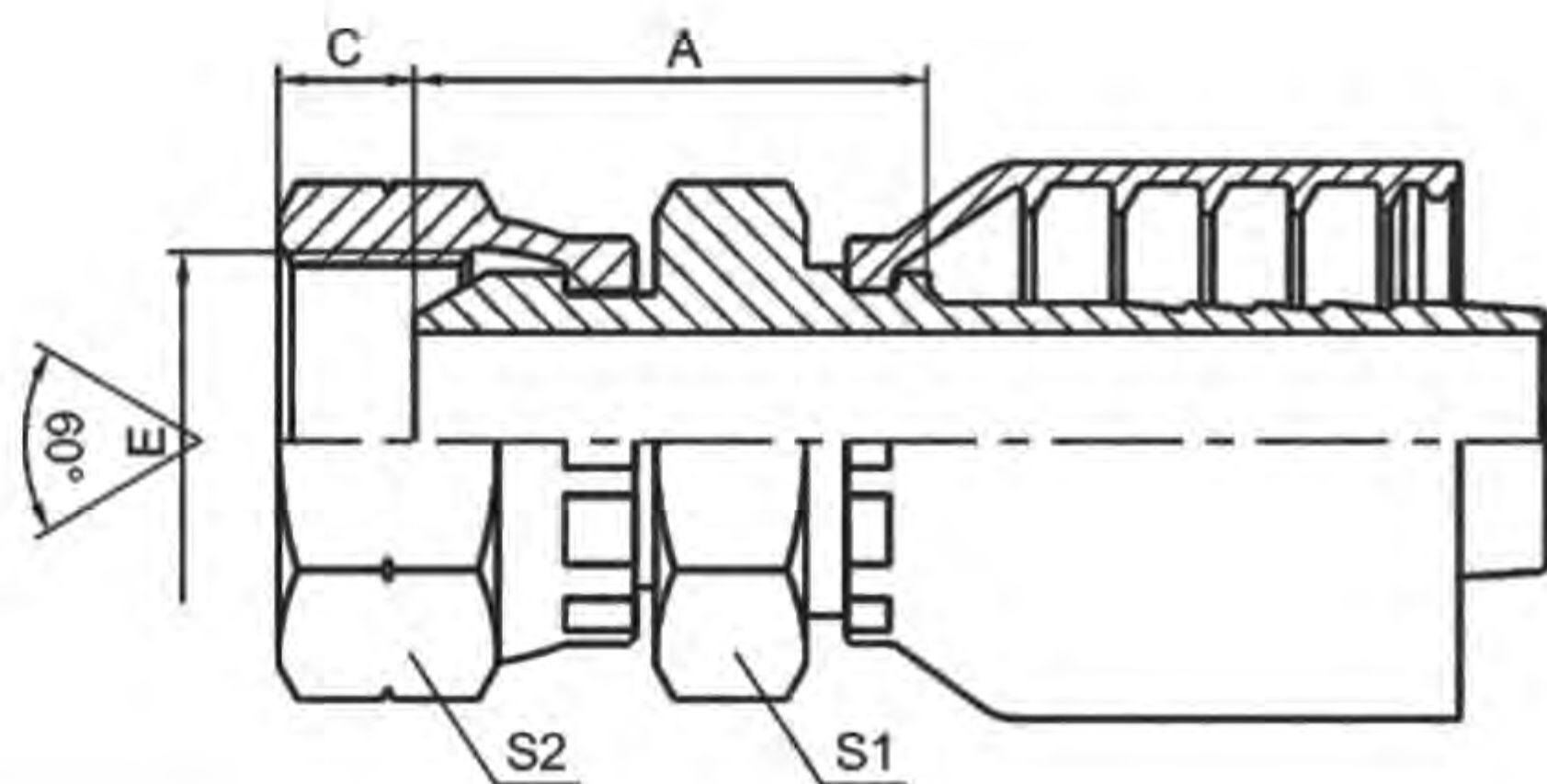
12611A-RW/12612A-RW
 英管外螺纹60°内锥面或六角端面组合
 垫密封的双用接头
 BSP MALE DOUBLE USE FOR 60° CONE
 SEAT OR BONDED SEAL

代号 PART NO.		螺纹 E	胶管 HOSE BORE		尺寸 DIMENSIONS		
编织 BRAIDED	缠绕 SPIRAL	THREAD E	公称内径 DN	标号 DASH	A	C	S1
12611A-02-04RW	—	G1/8"X28	6	04	22	10	14
12611A-04-04RW	—	G1/4"X19	6	04	24	12	19
12611A-04-05RW	—	G1/4"X19	8	05	24	12	19
12611A-04-06RW	—	G1/4"X19	10	06	23.5	12	19
12611A-06-04RW	—	G3/8"X19	6	04	27.5	13.5	22
12611A-06-05RW	—	G3/8"X19	8	05	27.5	13.5	22
12611A-06-06RW	—	G3/8"X19	10	06	27	13.5	22
12611A-06-08RW	12612A-06-08RW	G3/8"X19	12	08	28	13.5	22
12611A-08-06RW	—	G1/2"X14	10	06	31.5	16	27
12611A-08-08RW	12612A-08-08RW	G1/2"X14	12	08	32.5	16	27
12611A-08-10RW	12612A-08-10RW	G1/2"X14	10	06	31.5	16	27
12611A-08-12RW	12612A-08-12RW	G1/2"X14	20	12	32	16	27
12611A-12-08RW	12612A-12-08RW	G3/4"X14	12	08	36	18.5	32
12611A-12-10RW	12612A-12-10RW	G3/4"X14	16	10	36.5	18.5	32
12611A-12-12RW	12612A-12-12RW	G3/4"X14	20	12	35.5	18.5	32
12611A-12-16RW	12612A-12-16RW	G3/4"X14	25	16	38.7	18.5	32
12611A-16-12RW	12612A-16-12RW	G1"X11	20	12	39.5	20.5	41
12611A-16-16RW	12612A-16-16RW	G1"X11	25	16	42.7	20.5	41
12611A-20-20RW	12612A-20-20RW	G1.1/4"X11	32	20	44.7	20.5	50
12611A-24-24RW	12612A-24-24RW	G1.1/2"X11	40	24	48	23	55
12611A-32-24RW	12612A-32-24RW	G2"X11	40	24	52.5	25.5	70
12611A-32-32RW	12612A-32-32RW	G2"X11	50	32	56	25.5	70



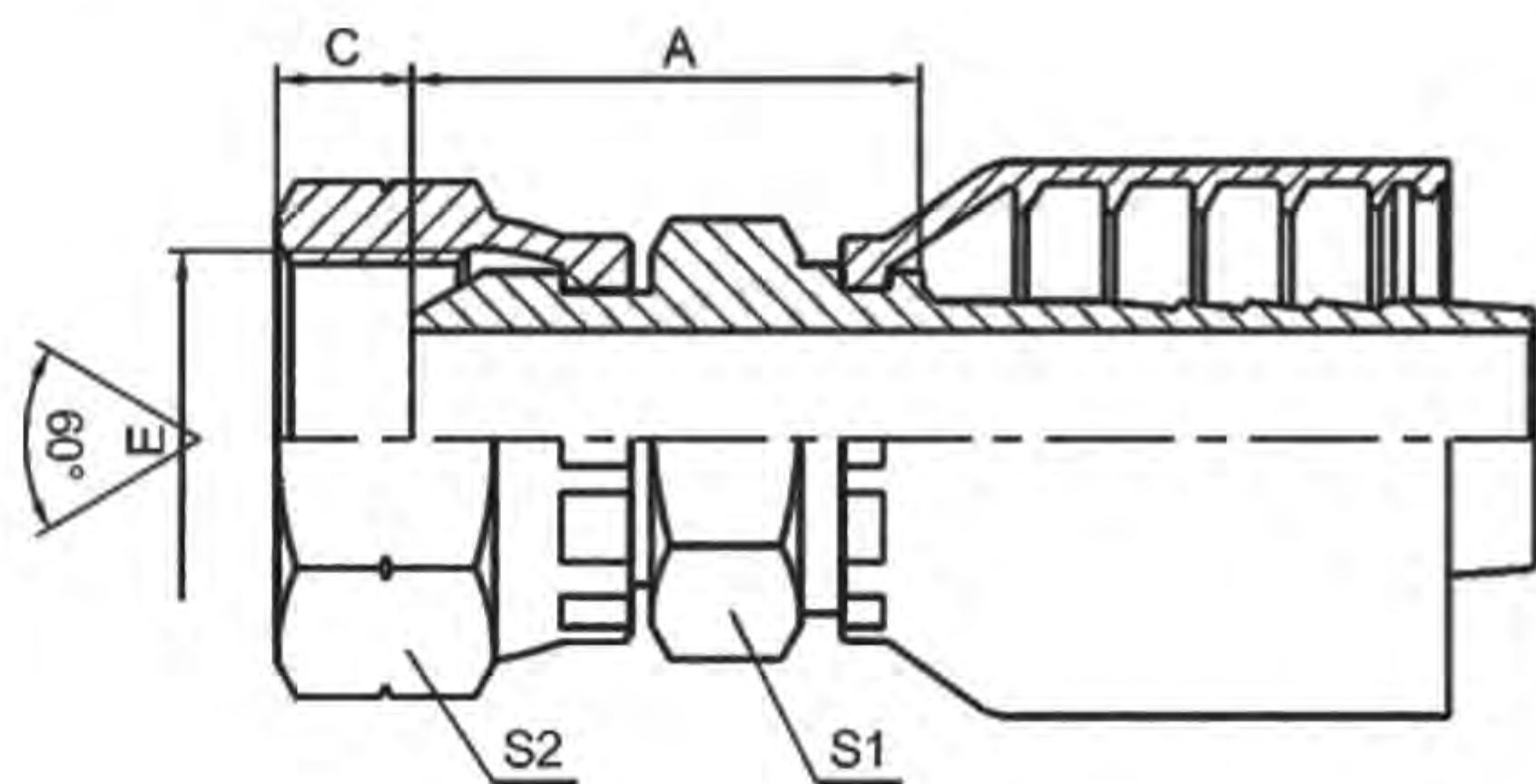
22611-RW/22612-RW
英管内螺纹60°锥面
BSP FEMALE 60°CONE

代号 PART NO.		螺纹E	胶管HOSE BORE		尺寸 DIMENSIONS		
编织 BRAIDED	缠绕 SPIRAL	THREAD E	公称内径 DN	标号 DASH	A	C	S2
22611-04-04RW	—	G1/4"X19	6	04	19.5	5.5	19
22611-04-05RW	—	G1/4"X19	8	05	19.5	5.5	19
22611-04-06RW	—	G1/4"X19	10	06	19.5	5.5	19
22611-06-04TRW	—	G3/8"X19	6	04	18.2	6.3	22
22611-06-05TRW	—	G3/8"X19	8	05	18.2	6.3	22
22611-06-06RW	—	G3/8"X19	10	06	20.7	6.3	22
22611-06-08RW	—	G3/8"X19	12	08	21.7	6.3	22
22611-08-06TRW	—	G1/2"X14	10	06	19.5	7.5	27
22611-08-08RW	22612-08-08RW	G1/2"X14	12	08	23.5	7.5	27
22611-10-08TRW	22612-10-08TRW	G5/8"X14	12	08	21	9.5	30
22611-10-10RW	22612-10-10RW	G5/8"X14	10	10	24.5	9.5	30
22611-12-08TRW	22612-12-08TRW	G3/4"X14	12	08	21.6	10.9	32
22611-12-10TRW	22612-12-10TRW	G3/4"X14	16	10	22.1	10.9	32
22611-12-12RW	22612-12-12RW	G3/4"X14	20	12	24.6	10.9	32
22611-16-12TRW	22612-16-12TRW	G1"X11	20	12	22.3	11.7	41
22611-16-16RW	22612-16-16RW	G1"X11	25	16	29	11.7	41
22611-20-16TRW	22612-20-16TRW	G1.1/4"X11	25	16	26.8	11	50
22611-20-20WRW	22612-20-20WRW	G1.1/4"X11	32	20	29.7	11	50
22611-24-20TRW	22612-24-20TRW	G1.1/2"X11	32	20	28.2	13	55
22611-24-24WRW	22612-24-24WRW	G1.1/2"X11	40	24	34.5	13	55
22611-32-24TRW	22612-32-24TRW	G2"X11	40	24	32.5	16	70
22611-32-32WRW	22612-32-32WRW	G2"X11	50	32	38	16	70



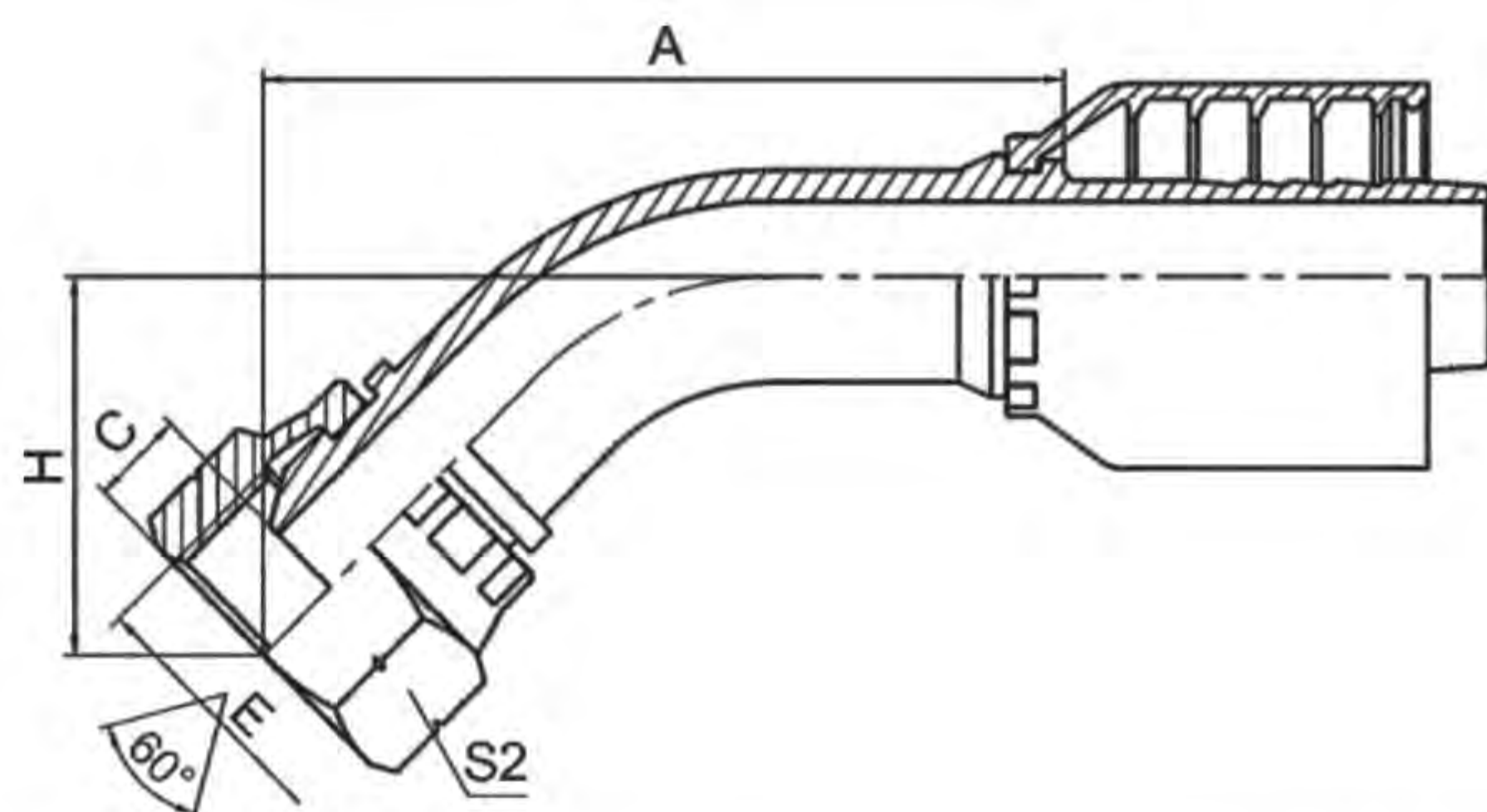
22611D-RW/22612D-RW
英管内螺纹60°外锥面双六角
BSP FEMALE 60°CONE DOUBLE HEXAGON

代号 PART NO.		螺纹E	胶管HOSE BORE		尺寸 DIMENSIONS			
编织 BRAIDED	缠绕 SPIRAL	THREAD E	公称内径 DN	标号 DASH	A	C	S1	S2
22611D-04-04RW	—	G1/4"X19	6	04	23	5.5	19	19
22611D-06-06RW	—	G3/8"X19	10	06	25.7	6.3	22	22
22611D-08-08RW	22612D-08-08RW	G1/2"X14	12	08	30.5	7.5	27	27
22611D-10-10RW	22612D-10-10RW	G5/8"X14	10	06	30	9.5	30	30
22611D-12-12RW	22612D-12-12RW	G3/4"X14	20	12	32.1	10.9	32	32
22611D-16-16RW	22612D-16-16RW	G1"X11	25	16	38.5	11.7	41	41
22611D-20-20WRW	22612D-20-20WRW	G1.1/4"X11	32	20	44.7	11	50	50
22611D-24-24WRW	22612D-24-24WRW	G1.1/2"X11	40	24	45	13	55	55
22611D-32-32WRW	22612D-32-32WRW	G2"X11	50	32	51	16	70	70



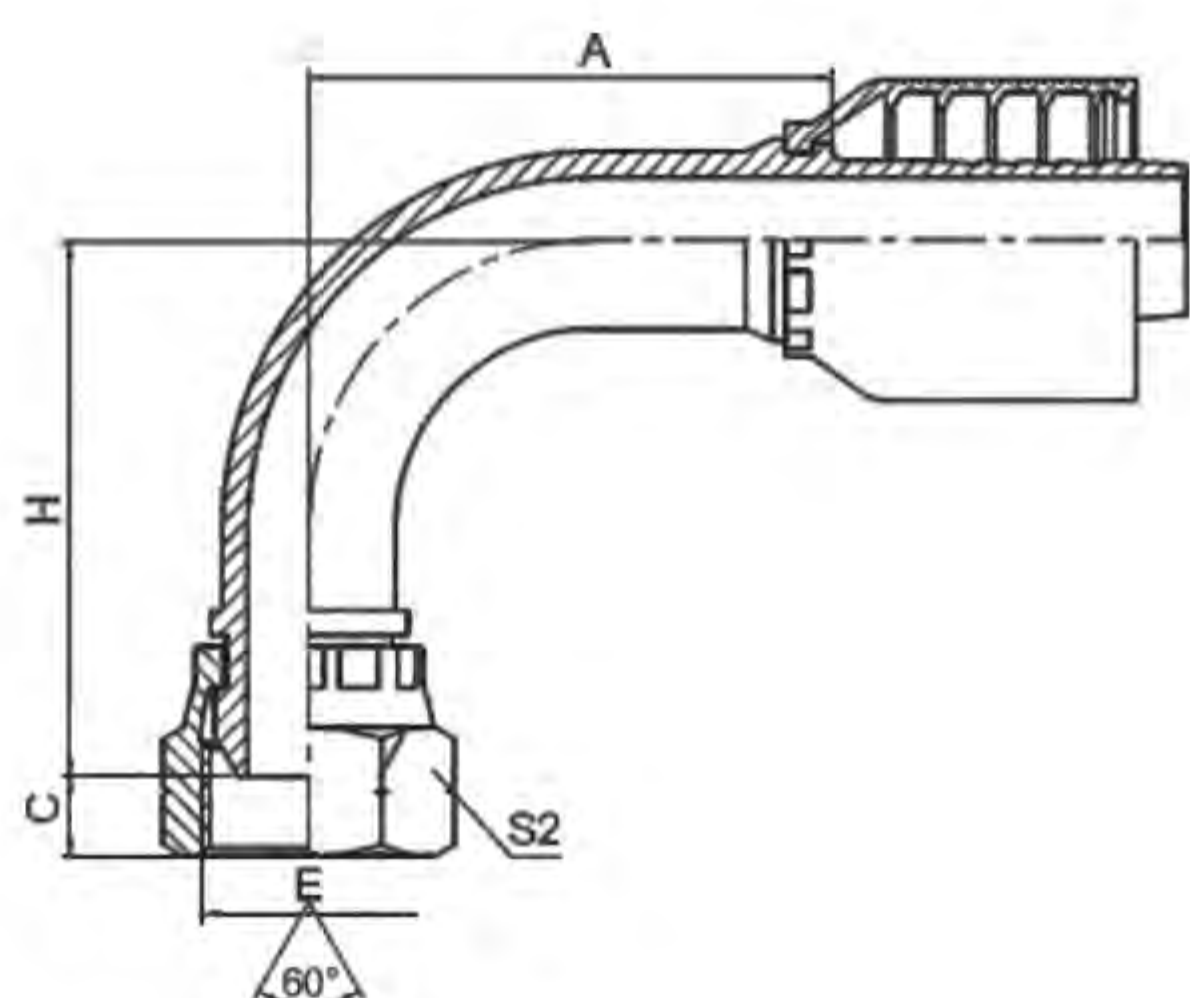
22611D-SMRW/22612D-SMRW
英管内螺纹60°外锥面双六角
BSP FEMALE 60°CONE DOUBLE HEXAGON

代号 PART NO.		螺纹E	胶管HOSE BORE		尺寸 DIMENSIONS			
编织 BRAIDED	缠绕 SPIRAL	THREAD E	公称内径 DN	标号 DASH	A	C	S1	S2
22611D-04-04SMRW	—	G1/4"X19	6	04	23	5.5	12	19
22611D-06-06SMRW	—	G3/8"X19	10	06	23.7	6.3	17	22
22611D-08-08SMRW	22612D-08-08SMRW	G1/2"X14	12	08	28.5	7.5	22	27
22611D-10-10SMRW	22612D-10-10SMRW	G5/8"X14	10	06	28	9.5	22	30
22611D-12-12SMRW	22612D-12-12SMRW	G3/4"X14	20	12	31.1	10.9	27	32
22611D-16-16SMRW	22612D-16-16SMRW	G1"X11	25	16	36.5	11.7	32	41
22611D-20-20W/SMRW	22612D-20-20W/SMRW	G1.1/4"X11	32	20	42.7	11	41	50
22611D-24-24W/SMRW	22612D-24-24W/SMRW	G1.1/2"X11	40	24	43	13	46	55
22611D-32-32W/SMRW	22612D-32-32W/SMRW	G2"X11	50	32	49	16	55	70



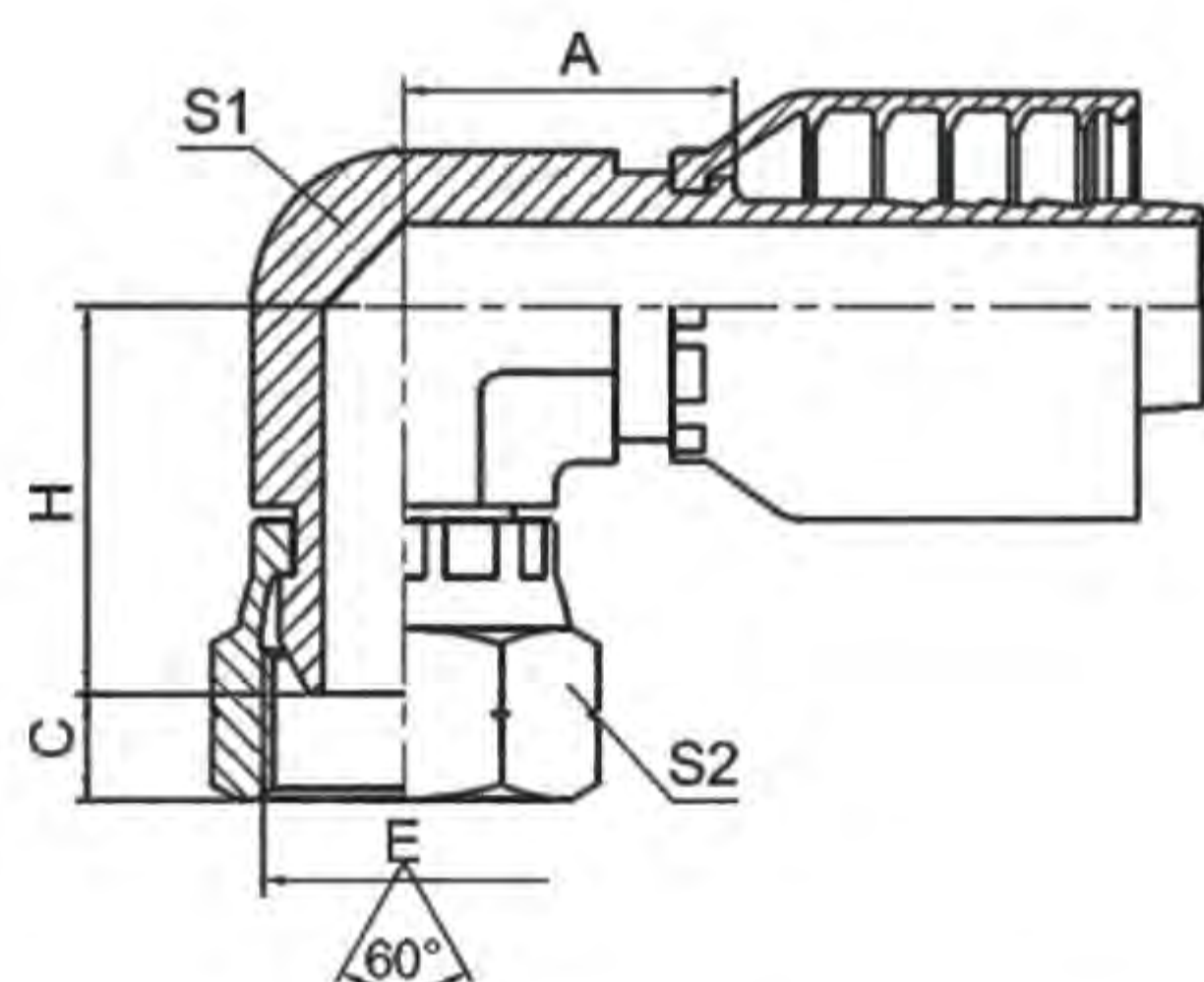
22641-RW/22642 RW
45° 英管内螺纹60°外锥面
45° BSP FEMALE 60°CONE

代号 PART NO.		螺纹E	胶管HOSE BORE		尺寸 DIMENSIONS				
编织 BRAIDED	缠绕 SPIRAL	THREAD E	公称内径 DN	标号 DASH	A	C	H	S2	
22641-04-04RW	—	G1/4"X19	6	04	43.8	5.5	20.2	19	
22641-04-05RW	—	G1/4"X19	8	05	45.9	5.5	21.1	19	
22641-04-06RW	—	G1/4"X19	10	06	47	5.5	21.8	19	
22641-06-04TRW	—	G3/8"X19	6	04	43.2	6.3	19.6	22	
22641-06-05TRW	—	G3/8"X19	8	05	45.3	6.3	20.5	22	
22641-06-06RW	—	G3/8"X19	10	06	47.8	6.3	22.6	22	
22641-06-08RW	—	G3/8"X19	12	08	61.2	6.3	24.8	22	
22641-08-06TRW	—	G1/2"X14	10	06	47.7	7.5	22.5	27	
22641-08-08RW	22642-08-08RW	G1/2"X14	12	08	62.5	7.5	26.1	27	
22641-10-08TRW	22642-10-08TRW	G5/8"X14	12	08	60.8	9.5	24.4	30	
22641-10-10RW	22642-10-10RW	G5/8"X14	10	10	73.1	9.5	27.8	30	
22641-12-08TRW	22642-12-08TRW	G3/4"X14	12	08	61.2	10.9	24.8	32	
22641-12-10TRW	22642-12-10TRW	G3/4"X14	16	10	71.4	10.9	26.1	32	
22641-12-124RW	22642-12-124RW	G3/4"X14	20	12	76.8	10.9	31	32	
22641-16-12TRW	22642-16-12TRW	G1"X11	20	12	75.5	11.7	29.7	41	
22641-16-16RW	22642-16-16RW	G1"X11	25	16	90.6	11.7	34.2	41	
22641-20-16TRW	22642-20-16TRW	G1.1/4"X11	25	16	88.6	11	32.2	50	
22641-20-20WRW	22642-20-20WRW	G1.1/4"X11	32	20	103.1	11	41.2	50	
22641-24-20TRW	22642-24-20TRW	G1.1/2"X11	32	20	99.2	13	37.3	55	
22641-24-24WRW	22642-24-24WRW	G1.1/2"X11	40	24	118.5	13	45.8	55	
22641-32-24TRW	22642-32-24TRW	G2"X11	40	24	116.4	16	43.7	70	
22641-32-32WRW	22642-32-32WRW	G2"X11	50	32	142.8	16	53	70	



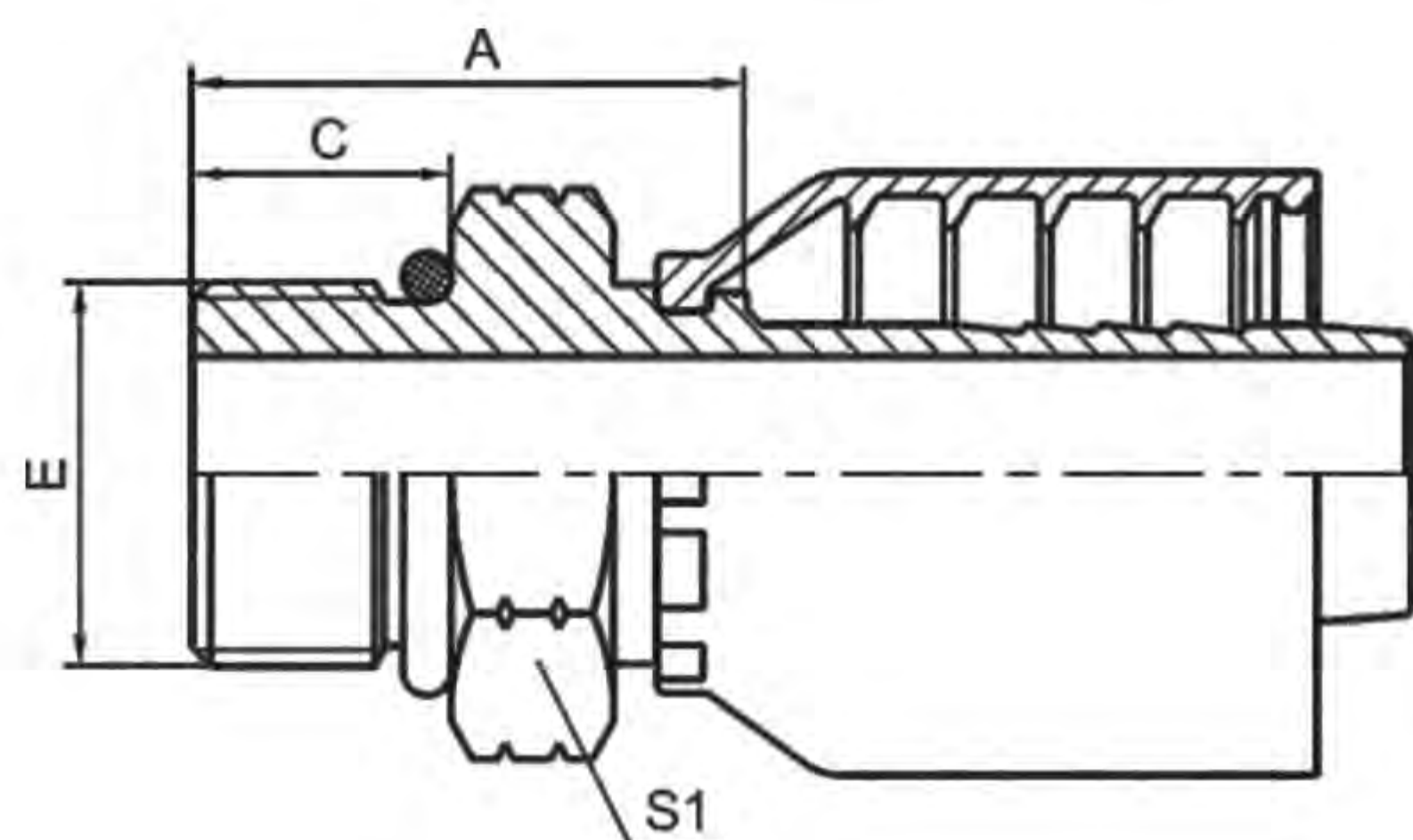
22691-RW/22692-RW
90° 英管内螺纹60°外锥面
90° BSP FEMALE 60°CONE

代号 PART NO.		螺纹E	胶管HOSE BORE		尺寸 DIMENSIONS				
编织 BRAIDED	缠绕 SPIRAL	THREAD E	公称内径 DN	标号 DASH		A	C	H	S2
22691-04-04RW	—	G1/4"X19	6	04		31.5	5.5	36.5	19
22691-04-05RW	—	G1/4"X19	8	05		34.5	5.5	39.5	19
22691-04-06RW	—	G1/4"X19	10	06		36.3	5.5	41.8	19
22691Y-06-04TRW	—	G3/8"X19	6	04		31.5	6.3	35.7	22
22691Y-06-05RW	—	G3/8"X19	8	05		34.5	6.3	40.7	22
22691Y-06-06RW	—	G3/8"X19	10	06		36.3	6.3	43	22
22691-06-08RW	—	G3/8"X19	12	08		42.5	6.3	49.2	22
22691-08-06TRW	—	G1/2"X14	10	06		36.3	7.5	42.8	27
22691-08-08RW	22692-08-08RW	G1/2"X14	12	08		42.5	7.5	51	27
22691-10-08TRW	22692-10-08TRW	G5/8"X14	12	08		42.5	9.5	48.5	30
22691-10-10RW	22692-10-10RW	G5/8"X14	10	10		57	9.5	56	30
22691-12-08TRW	22692-12-08TRW	G3/4"X14	12	08		42.5	10.9	49.1	32
22691-12-10TRW	22692-12-10TRW	G3/4"X14	16	10		57	10.9	53.6	32
22691-12-12RW	22692-12-12RW	G3/4"X14	20	12		63.2	10.9	63.1	32
22691-16-12TRW	22692-16-12TRW	G1"X11	20	12		63.2	11.7	61.3	41
22691-16-16RW	22692-16-16RW	G1"X11	25	16		78.9	11.7	73.8	41
22691-20-16TRW	22692-20-16TRW	G1.1/4"X11	25	16		78.9	11	71.1	50
22691-20-20WRW	22692-20-20WRW	G1.1/4"X11	32	20		92.7	11	89	50
22691-24-20TRW	22692-24-20TRW	G1.1/2"X11	32	20		92.7	13	83.5	55
22691-24-24WRW	22692-24-24WRW	G1.1/2"X11	40	24		111.4	13	103.5	55
22691-32-24TRW	22692-32-24TRW	G2"X11	40	24		111.4	16	100.5	70
22691-32-32WRW	22692-32-32WRW	G2"X11	50	32		138.6	16	123.8	70



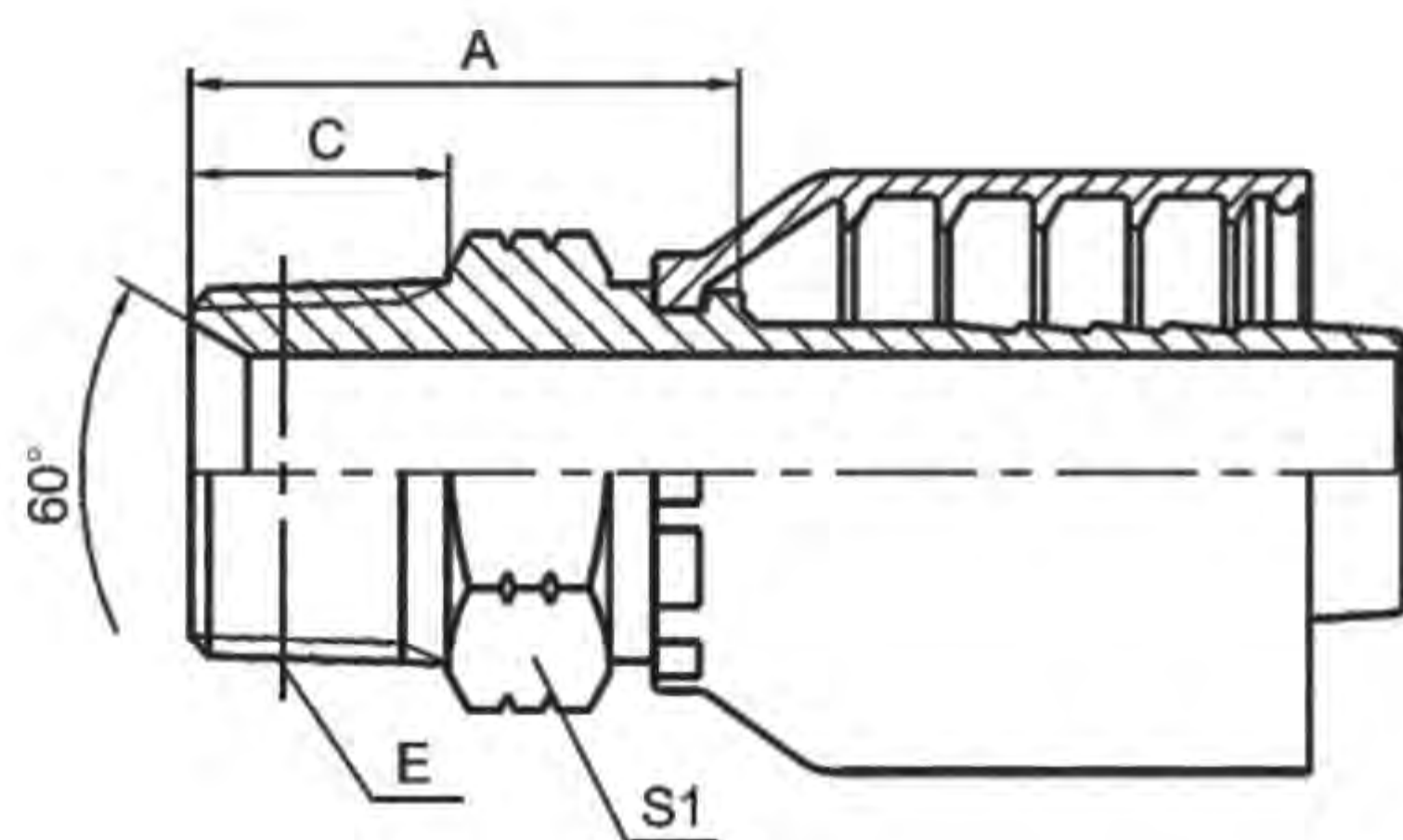
22691K-RW/22692K-RW
英管内螺纹60°外锥面双六角
BSP FEMALE 60°CONE DOUBLE HEXAGON

代号 PART NO.		螺纹E	胶管HOSE BORE		尺寸 DIMENSIONS				
编织 BRAIDED	缠绕 SPIRAL	THREAD E	公称内径 DN	标号 DASH	A	C	H	S1	S2
22691K-04-04RW	—	G1/4"X19	6	04	19	5.5	18.5	11	19
22691K-06-04RW	—	G3/8"X19	6	04	21.5	6.3	23	16	22
22691K-06-05RW	—	G3/8"X19	8	05	21.5	6.3	23	16	22
22691K-06-06RW	—	G3/8"X19	10	06	21	6.3	24	16	22
22691K-08-06RW	—	G1/2"X14	10	06	24	7.5	26.5	19	27
22691K-08-08RW	22692K-08-08RW	G1/2"X14	12	08	24	7.5	28.5	19	27
22691K-10-10RW	22692K-10-10RW	G5/8"X14	16	10	26.5	9.5	29.2	22	30
22691K-12-12RW	22692K-12-12RW	G3/4"X14	20	12	27.5	10.9	33	27	32
22691K-16-16RW	22692K-16-16RW	G1"X11	25	16	34.7	11.7	38.1	33	41



16011-RW/16012-RW
美制SAE外螺纹带O形圈
SAE O-RING MALE
ISO 11926, SAE J1926

代号 PART NO.		螺纹E	胶管HOSE BORE		O形圈	尺寸 DIMENSIONS		
编织 BRAIDED	缠绕 SPIRAL	THREAD E	公称内径 DN	标号 DASH	O RING	A	C	S1
16011-04-04RW	—	7/16"X20	6	04	O904	21.1	9.1	14
16011-05-04RW	—	1/2"X20	6	04	O905	21.1	9.1	17
16011-06-05RW	—	9/16"X18	8	05	O906	21.9	9.9	17
16011-06-06RW	—	9/16"X18	10	06	O906	21.4	9.9	17
16011-08-06RW	—	3/4"X16	10	06	O908	24.6	11.1	22
16011-08-08RW	16012-08-08RW	3/4"X16	12	08	O908	25.6	11.1	22
16011-10-08RW	16012-10-08RW	7/8"X14	12	08	O910	29.2	12.7	27
16011-10-10RW	16012-10-10RW	7/8"X14	16	10	O910	29.7	12.7	27
16011-12-10RW	16012-12-10RW	1.1/16"X12	16	10	O912	33.1	15.1	32
16011-12-12RW	16012-12-12RW	1.1/16"X12	20	12	O912	32.1	15.1	32
16011-16-16RW	16012-16-16RW	1.5/16"X12	25	16	O916	35.3	15.1	38

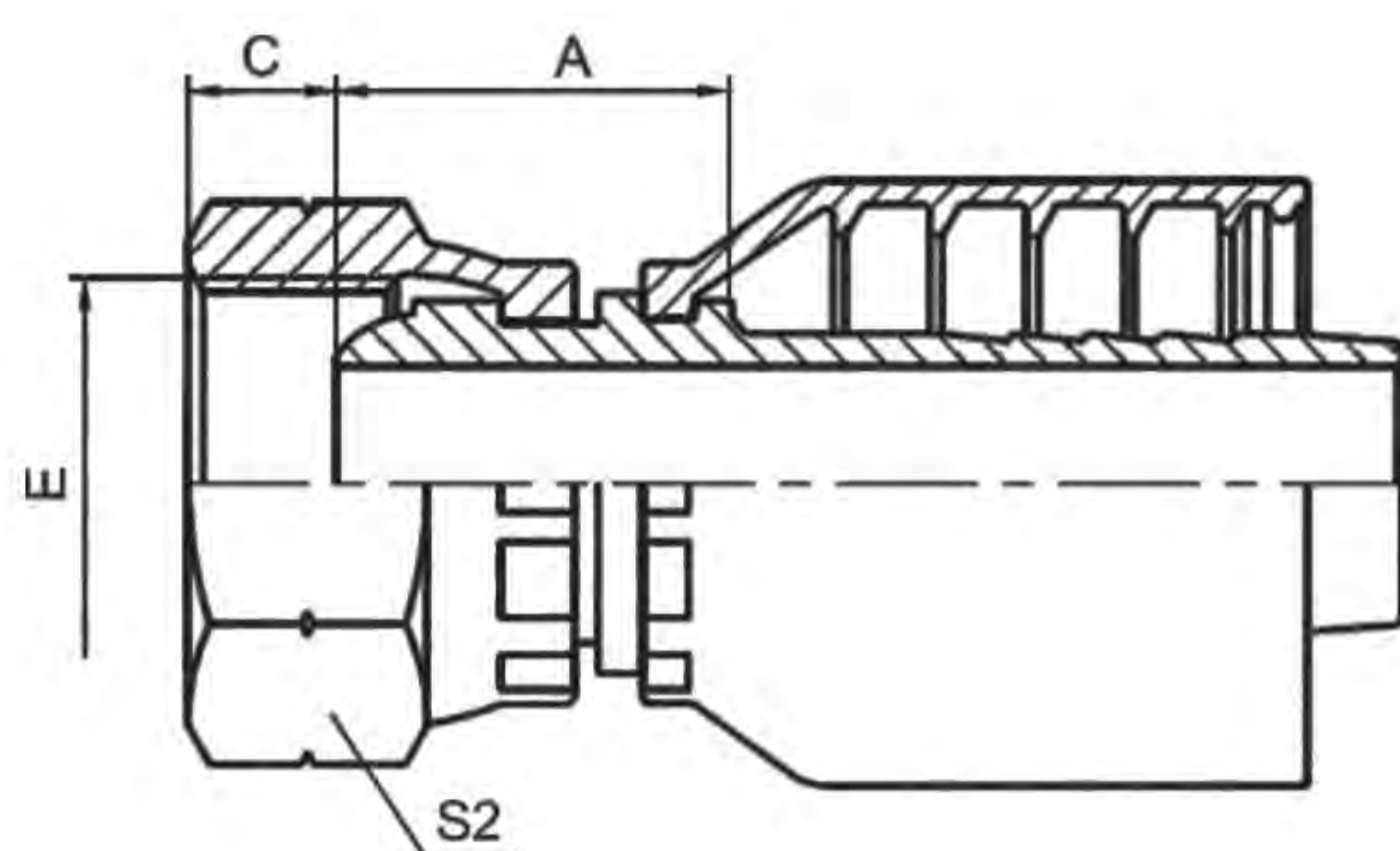


15611-RW/15612-RW

布锥管外螺纹

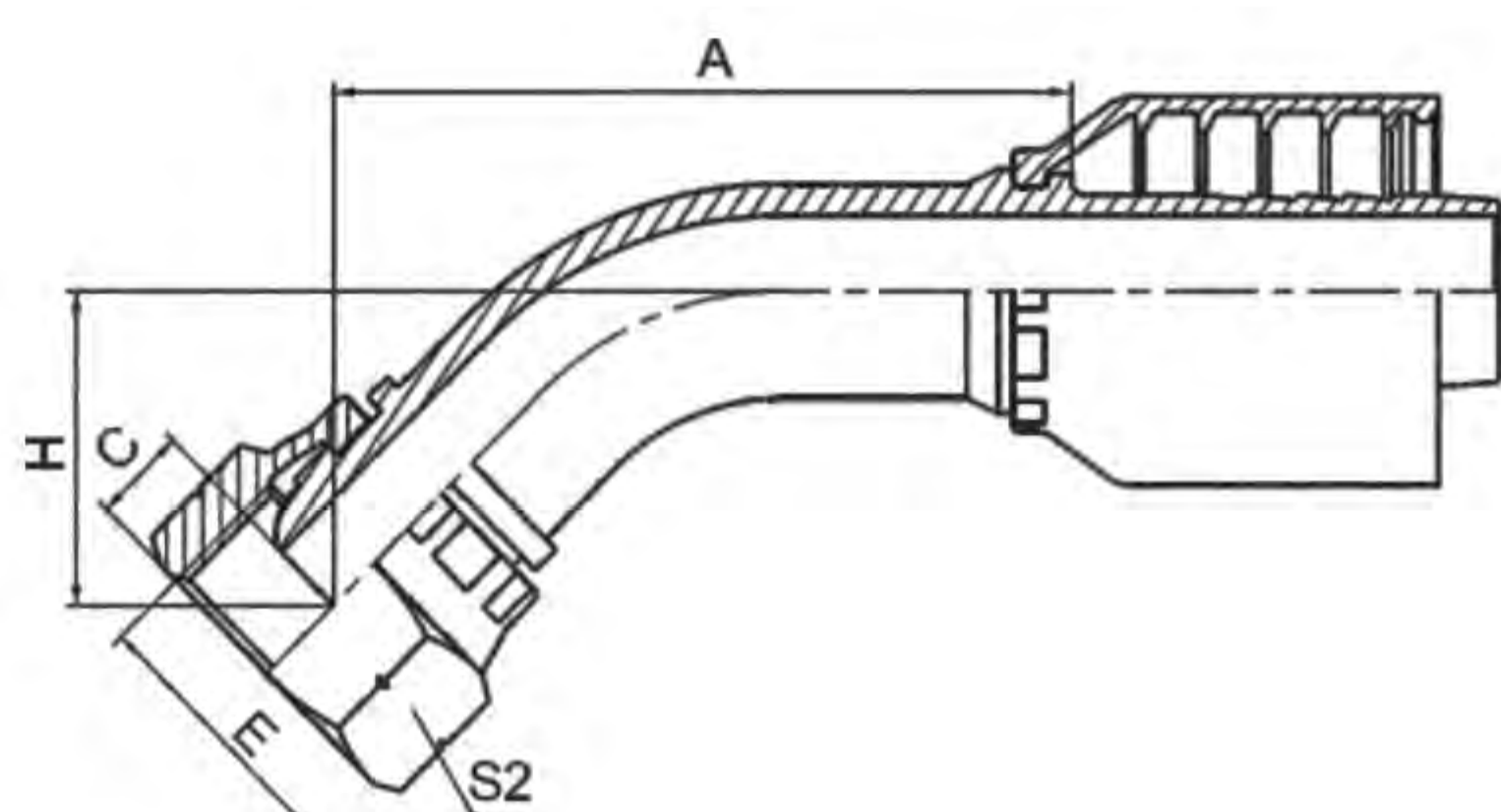
NPT MALE

代号 PART NO.		螺纹E	胶管HOSE BORE		尺寸 DIMENSIONS		
编织 BRAIDED	缠绕 SPIRAL	THREAD E	公称内径 DN	标号 DASH	A	C	S1
15611-02-04RW	—	Z1/8"X27	6	04	22.5	10.5	12
15611-04-04RW	—	Z1/4"X18	6	04	27	15	17
15611-04-05RW	—	Z1/4"X18	8	05	27	15	17
15611-04-06RW	—	Z1/4"X18	10	06	26.5	15	17
15611-06-04RW	—	Z3/8"X18	6	04	28	16	19
15611-06-05RW	—	Z3/8"X18	8	05	28	16	19
15611-06-06RW	—	Z3/8"X18	10	06	27.5	16	19
15611-06-08RW	15612-06-08RW	Z3/8"X18	12	08	28.5	16	19
15611-08-06RW	—	Z1/2"X14	10	06	33	19.5	22
15611-08-08RW	15612-08-08RW	Z1/2"X14	12	08	34	19.5	22
15611-08-10RW	15612-08-10RW	Z1/2"X14	16	10	34.5	19.5	22
15611-12-08RW	15612-12-08RW	Z3/4"X14	12	08	36	19.5	27
15611-12-10RW	15612-12-10RW	Z3/4"X14	16	10	36.5	19.5	27
15611-12-12RW	15612-12-12RW	Z3/4"X14	20	12	35.5	19.5	27
15611-12-16RW	15612-12-16RW	Z3/4"X14	25	16	39.7	19.5	32
15611-16-10RW	15612-16-10RW	Z1"X11.5	16	10	43.5	25.5	36
15611-16-12RW	15612-16-12RW	Z1"X11.5	20	12	42.5	25.5	36
15611-16-16RW	15612-16-16RW	Z1"X11.5	25	16	45.7	25.5	36
15611-20-16RW	15612-20-16RW	Z1.1/4"X11.5	25	16	48.7	26.5	46
15611-20-20RW	15612-20-20RW	Z1.1/4"X11.5	32	20	48.7	26.5	46
15611-24-24RW	15612-24-24RW	Z1.1/2"X11.5	40	24	52.5	27.5	50
15611-32-32RW	15612-32-32RW	Z2"X11.5	50	32	58	27.5	65



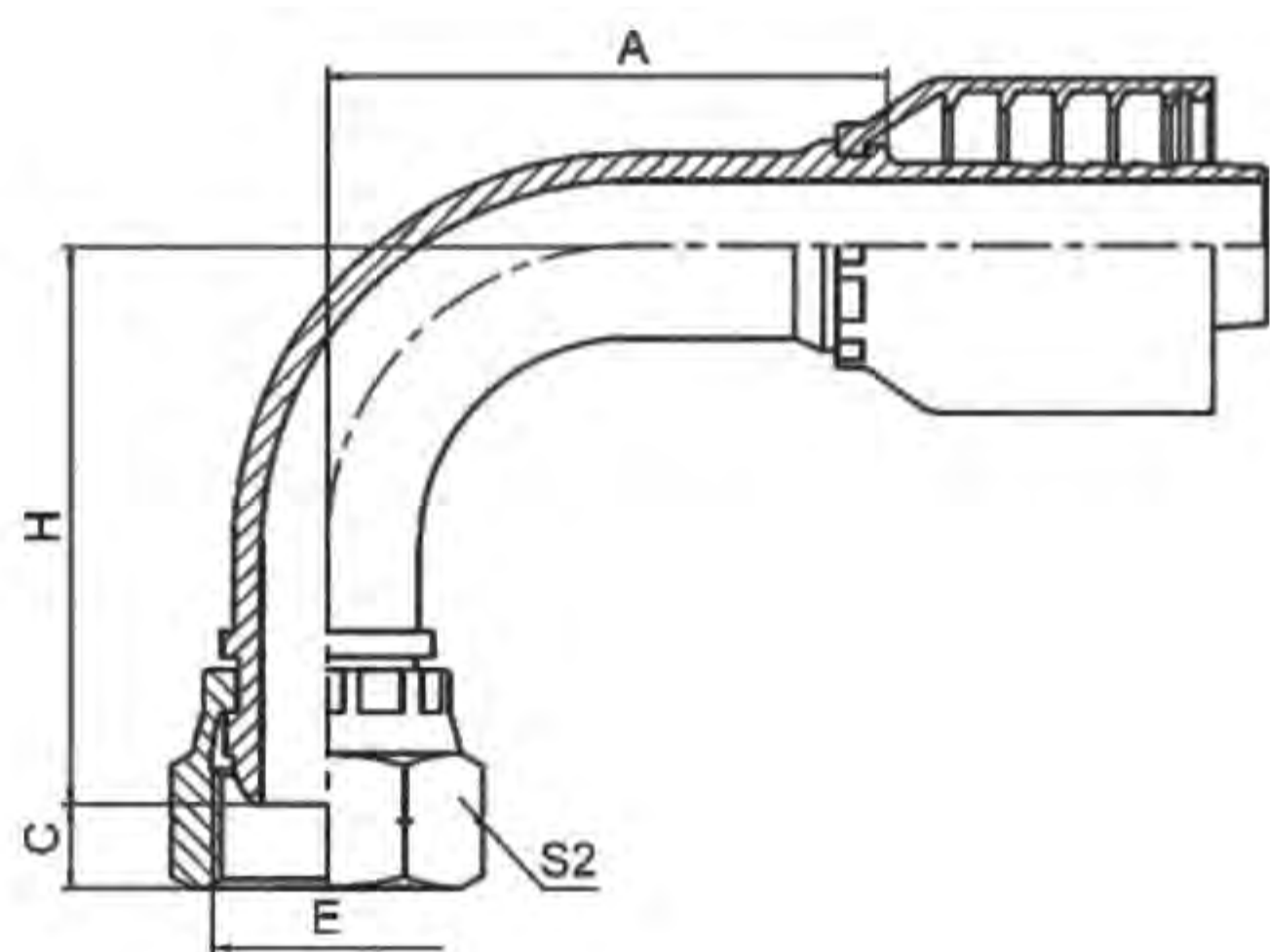
22111-RW/22112-RW
英管内螺纹球面
BSP FEMALE MULTISEAL

代号 PART NO.		螺 纹E	胶管HOSE BORE		尺 寸 DIMENSIONS		
编织 BRAIDED	缠绕 SPIRAL	THREAD E	公称内径 DN	标号 DASH	A	C	S2
22111-02-04RW	—	G1/8"28	6	04	21	2	14
22111-04-04RW	—	G1/4"X19	6	04	21	4	19
22111-06-05RW	—	G3/8"X19	8	05	22	5	22
22111-06-06RW	—	G3/8"X19	10	06	22	5	22
22111-06-08RW	22112-06-08RW	G3/8"X19	12	08	23	5	22
22111-08-04TRW	—	G1/2"X14	6	04	21	6	27
22111-08-06TRW	—	G1/2"X14	10	06	20.5	6	27
22111-08-08RW	22112-08-08RW	G1/2"X14	12	08	25	6	27
22111-08-10RW	22112-08-10RW	G1/2"X14	16	10	25.5	6	27
22111-10-10RW	22112-10-10RW	G5/8"X14	16	10	26	8	30
22111-10-12RW	22112-10-12RW	G5/8"X14	20	12	25.5	8	30
22111-12-08TRW	22112-12-08TRW	G3/4"X14	12	08	23	9.5	32
22111-12-10TRW	22112-12-10TRW	G3/4"X14	16	10	23.5	9.5	32
22111-12-12RW	22112-12-12RW	G3/4"X14	20	12	26.5	9.5	32
22111-16-12TRW	22112-16-12TRW	G1"X11	20	12	22.5	11	41
22111-16-16RW	22112-16-16RW	G1"X11	25	16	30.2	11	41
22111-20-16TRW	22112-20-16TRW	G1.1/4"X11	25	16	28.7	11	50
22111-20-20RW	22112-20-20RW	G1.1/4"X11	32	20	30.7	10	50
22111-24-24RW	22112-24-24RW	G1.1/2"X11	40	24	39	11.5	55
22111-32-32RW	22112-32-32RW	G2"X11	50	32	43.5	15	70



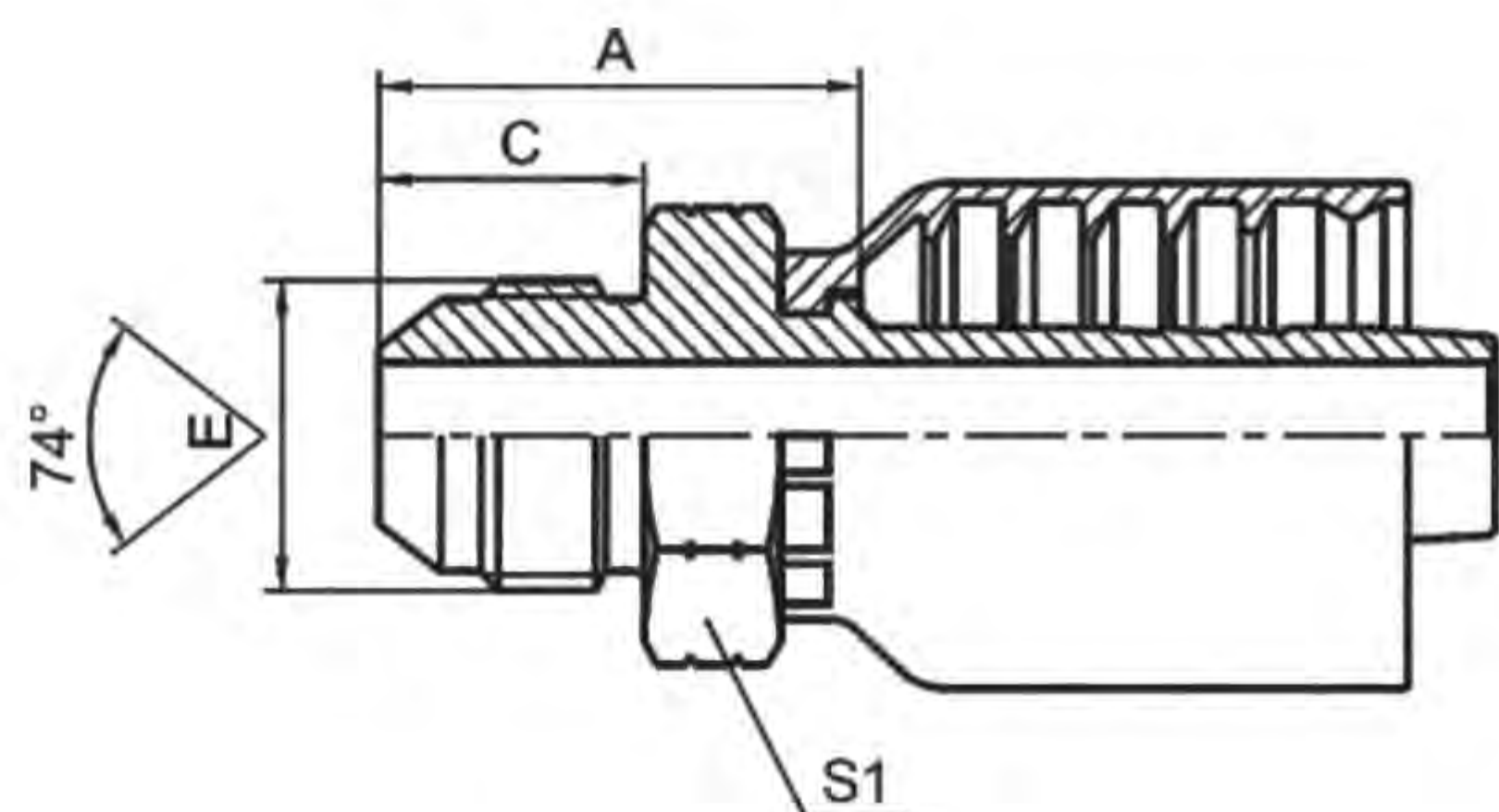
22141-RW/22142-RW
45°英管内螺纹球面
45°BSP FEMALE MULTISEAL

代号 PART NO.		螺纹E	胶管HOSE BORE		尺寸 DIMENSIONS			
编织 BRAIDED	缠绕 SPIRAL	THREAD E	公称内径 DN	标号 DASH	A	C	H	S2
22141-02-04RW	—	G1/8"28	6	04	44.9	2	21.3	14
22141-04-04RW	—	G1/4"X19	6	04	44.9	4	21.3	19
22141-06-05RW	—	G3/8"X19	8	05	47.7	5	22.9	22
22141-06-06RW	—	G3/8"X19	10	06	48.8	5	23.6	22
22141-06-08RW	22142-06-08RW	G3/8"X19	12	08	62.2	5	25.8	22
22141-08-04TRW	—	G1/2"X14	6	04	45.2	6	21.6	27
22141-08-06TRW	—	G1/2"X14	10	06	48.4	6	23.2	27
22141-08-08RW	22142-08-08RW	G1/2"X14	12	08	63.6	6	27.2	27
22141-08-10RW	22142-08-10RW	G1/2"X14	16	10	73.8	6	28.5	27
22141-10-10RW	22142-10-10RW	G5/8"X14	16	10	74.1	8	28.8	30
22141-10-12RW	22142-10-12RW	G5/8"X14	20	12	77.4	8	31.6	30
22141-12-08TRW	22142-12-08TRW	G3/4"X14	12	08	62.2	9.5	25.8	32
22141-12-10TRW	22142-12-10RW	G3/4"X14	16	10	72.4	9.5	27.1	32
22141-12-12RW	22142-12-12RW	G3/4"X14	20	12	78.1	9.5	32.3	32
22141-16-12TRW	22142-16-12TRW	G1"X11	20	12	75.7	11	29.9	41
22141-16-16RW	22142-16-16RW	G1"X11	25	16	91.4	11	35	41
22141-20-16TRW	22142-20-16TRW	G1.1/4"X11	25	16	90	11	33.6	50
22141-20-20WRW	22142-20-20WRW	G1.1/4"X11	32	20	101	10	41.9	50
22141-24-24WRW	22142-24-24WRW	G1.1/2"X11	40	24	121.7	11.5	49	55
22141-32-32WRW	22142-32-32WRW	G2"X11	50	32	146.7	15	56.9	70



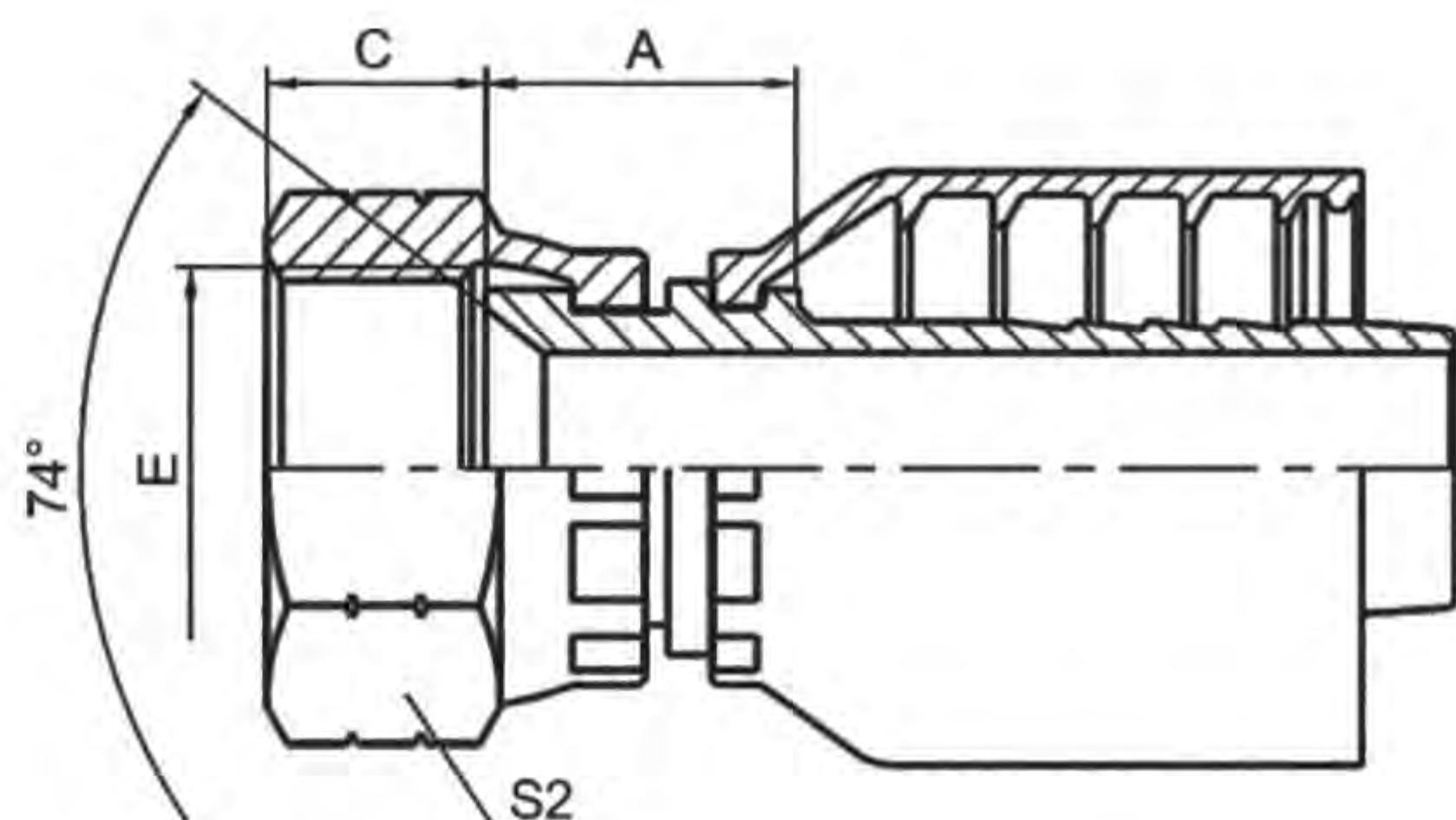
22191-RW/22192-RW
90°英管内螺纹球面
90°BSP FEMALE MULTISEAL

代号 PART NO.		螺纹E	胶管HOSE BORE		尺寸 DIMENSIONS			
编织 BRAIDED	缠绕 SPIRAL	THREAD E	公称内径 DN	标号 DASH	A	C	H	S2
22191-02-04RW	—	G1/8"X28	6	04	31.5	2	38	14
22191-04-04RW	—	G1/4"X19	6	04	31.5	4	38	19
22191-06-05RW	—	G3/8"X19	8	05	34.5	5	42	22
22191-06-06RW	—	G3/8"X19	10	06	36.3	5	44.3	22
22191-06-08RW	22192-06-08RW	G3/8"X19	12	08	42.5	5	50.5	22
22191-08-04TRW	—	G1/2"X14	6	04	31.5	6	38.5	27
22191-08-06TRW	—	G1/2"X14	10	06	36.3	6	43.8	27
22191-08-08RW	22192-08-08RW	G1/2"X14	12	08	42.5	6	52.5	27
22191-08-10RW	22192-08-10RW	G1/2"X14	16	10	57	6	57	27
22191-10-10RW	22192-10-10RW	G5/8"X14	16	10	57	8	57.5	30
22191-10-12RW	22192-10-12RW	G5/8"X14	20	12	63.2	8	64	30
22191-12-08TRW	22192-12-08TRW	G3/4"X14	12	08	42.5	9.5	50.5	32
22191-12-10TRW	22192-12-10TRW	G3/4"X14	16	10	57	9.5	55	32
22191-12-12RW	22192-12-12RW	G3/4"X14	20	12	63.2	9.5	65	32
22191-16-12TRW	22192-16-12TRW	G1"X11	20	12	63.2	11	61.5	41
22191-16-16RW	22192-16-16RW	G1"X11	25	16	78.9	11	75	41
22191-20-16TRW	22192-20-16TRW	G1.1/4"X11	25	16	78.9	11	73	50
22191-20-20WRW	22192-20-20WRW	G1.1/4"X11	32	20	92.7	10	90	50
22191-24-24WRW	22192-24-24WRW	G1.1/2"X11	40	24	111.4	11.5	108	55
22191-32-32WRW	22192-32-32WRW	G2"X11	50	32	138.6	15	129.3	70



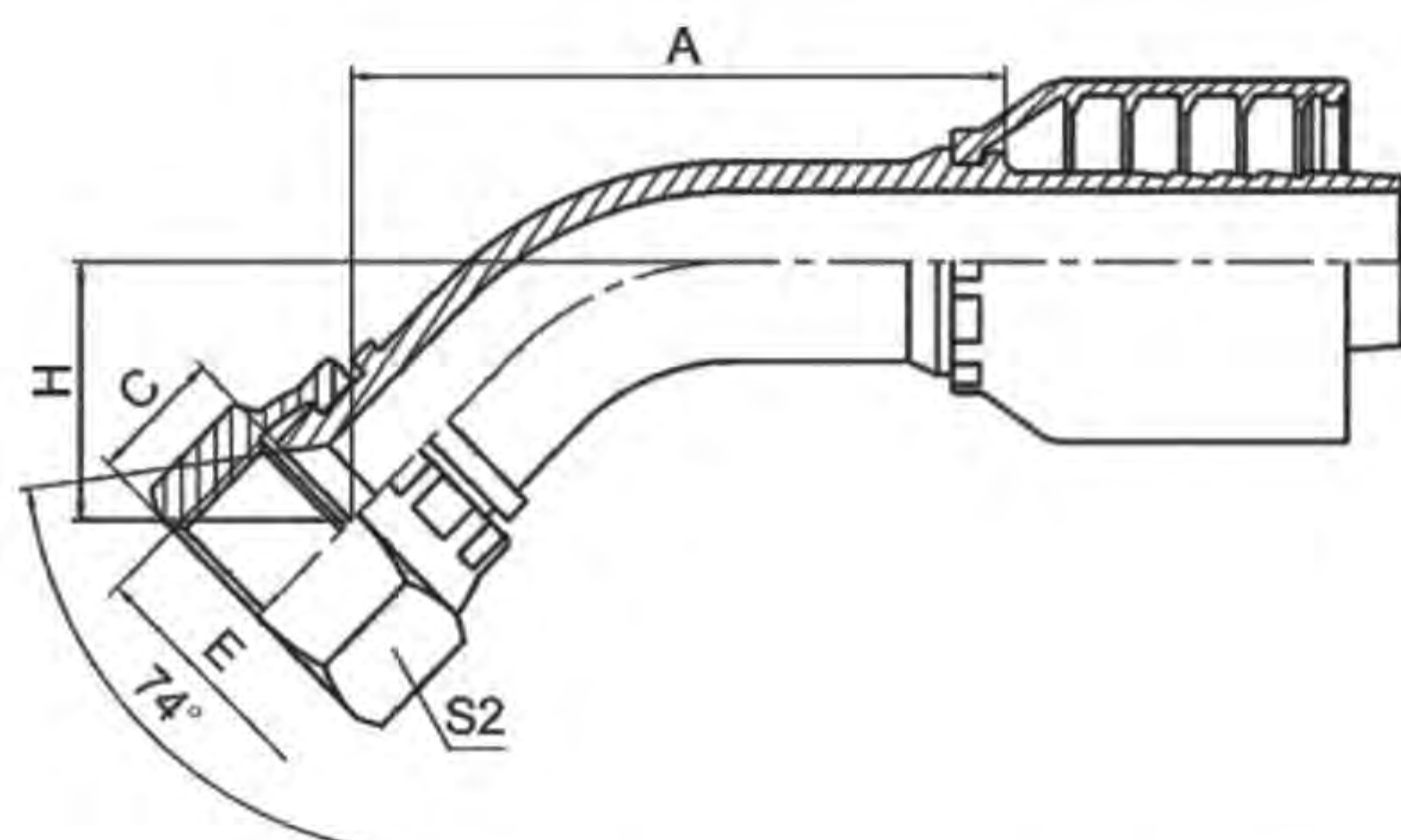
16711-RW/16712-RW
美制JIC外螺纹74°外锥面
JIC MALE 74° CONE
ISO 8434-2, SAE J514

代号 PART NO.		螺 纹 E	胶管 HOSE BORE		尺 寸 DIMENSIONS		
编织 BRAIDED	缠绕 SPIRAL	THREAD E	公称内径 DN	标号 DASH	A	C	S1
16711-04-04RW	—	7/16"X20	6	04	26	14	12
16711-05-04RW	—	1/2"X20	6	04	26	14	14
16711-05-06RW	—	1/2"X20	8	05	26	14	14
16711-05-06RW	—	1/2"X20	10	06	25.5	14	17
16711-06-04RW	—	9/16"X18	6	04	26.1	14.1	17
16711-06-05RW	—	9/16"X18	8	05	26.1	14.1	17
16711-06-06RW	—	9/16"X18	10	06	25.6	14.1	17
16711-08-06RW	—	3/4"X16	10	06	30.2	16.7	22
16711-08-08RW	16712-08-08RW	3/4"X16	12	08	31.2	16.7	22
16711-10-06RW	—	7/8"X14	10	06	32.8	19.3	24
16711-10-08RW	16712-10-08RW	7/8"X14	12	08	33.8	19.3	24
16711-10-10RW	16712-10-10RW	7/8"X14	16	10	34.3	19.3	24
16711-12-08RW	16712-12-08RW	1.1/16"X12	12	08	38.4	21.9	27
16711-12-10RW	16712-12-10RW	1.1/16"X12	16	10	38.9	21.9	27
16711-12-12RW	16712-12-12RW	1.1/16"X12	20	12	37.9	21.9	27
16711-12-16RW	16712-12-16RW	1.1/16"X12	25	16	41.1	21.9	30
16711-14-10RW	16712-14-10RW	1.3/16"X12	16	10	40.6	22.6	32
16711-14-12RW	16712-14-12RW	1.3/16"X12	20	12	39.6	22.6	32
16711-16-12RW	16712-16-12RW	1.5/16"X12	20	12	40.1	23.1	36
16711-16-16RW	16712-16-16RW	1.5/16"X12	25	16	43.3	23.1	36
16711-20-16RW	16712-20-16RW	1.5/8"X12	25	16	46.5	24.3	46
16711-20-20RW	16712-20-20RW	1.5/8"X12	32	20	46.5	24.3	46
16711-24-20RW	16712-24-20RW	1.7/8"X12	32	20	51.7	27.5	50
16711-24-24RW	16712-24-24RW	1.7/8"X12	40	24	52.5	27.5	50
16711-32-32RW	16712-32-32RW	2.1/2"X12	50	32	64.4	33.9	65



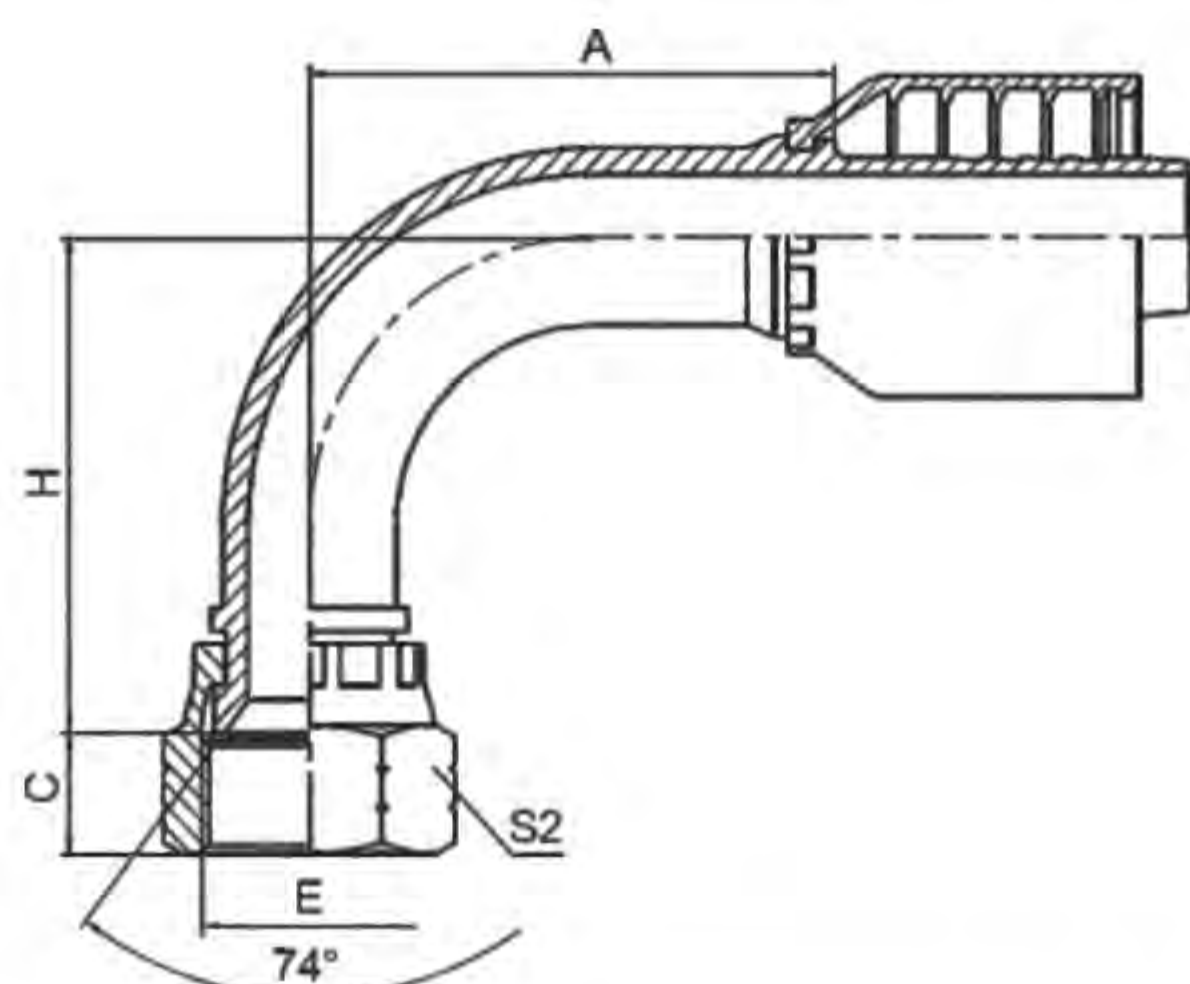
26711-RW/26712-RW
美制JIC内螺纹74°内锥面
JIC FEMALE 74° CONE SEAT
SAE J514

代号 PART NO.		螺纹E	胶管HOSE BORE		尺寸 DIMENSIONS		
编织 BRAIDED	缠绕 SPIRAL	THREAD E	公称内径 DN	标号 DASH	A	C	S2
26711-04-04RW	—	7/16"X20	6	04	16.5	9	15
26711-05-04RW	—	1/2"X20	6	04	17	9.5	17
26711-05-05RW	—	1/2"X20	8	05	17	9.5	17
26711-06-04TRW	—	9/16"X18	6	04	14.5	10.5	19
26711-06-05RW	—	9/16"X18	8	05	17	10.5	19
26711-06-06RW	—	9/16"X18	10	06	17	10.5	19
26711-06-08RW	26712-06-08RW	9/16"X18	12	08	18	10.5	19
26711-08-06TRW	—	3/4"X16	10	06	16	11	24
26711-08-08RW	26712-08-08RW	3/4"X16	12	08	20	11	24
26711-08-10RW	26712-08-10RW	3/4"X16	16	10	20.5	11	24
26711-10-08RW	26712-10-08RW	7/8"X14	12	08	20.5	13	27
26711-10-10RW	26712-10-10RW	7/8"X14	16	10	21	13	27
26711-10-12TRW	26712-10-12TRW	7/8"X14	20	12	20.5	13	27
26711-12-08TRW	26712-12-08TRW	1.1/16"X12	12	08	19	15	32
26711-12-10TRW	26712-12-10TRW	1.1/16"X12	16	10	19.5	15	32
26711-12-12RW	26712-12-12RW	1.1/16"X12	20	12	22	15	32
26711-12-16RW	26712-12-16RW	1.1/16"X12	25	16	25.2	15	32
26711-14-12RW	26712-14-12RW	1.3/16"X12	20	12	22	15	36
26711-16-12TRW	26712-16-12TRW	1.5/16"X12	20	12	18.5	16	41
26711-16-16RW	26712-16-16RW	1.5/16"X12	25	16	25.2	16	41
26711-16-20RW	26712-16-20RW	1.5/16"X12	32	20	25.7	16	41
26711-20-16TRW	26712-20-16TRW	1.5/8"X12	25	16	23.2	17	50
26711-20-20WRW	26712-20-20WRW	1.5/8"X12	32	20	26.2	17	50
26711-24-20TRW	26712-24-20TRW	1.7/8"X12	32	20	22.7	20	55
26711-24-24WRW	26712-24-24WRW	1.7/8"X12	40	24	32	20	55
26711-32-24TRW	26712-32-24TRW	2.1/2"X12	40	24	28.5	23.5	75
26711-32-32WRW	26712-32-32WRW	2.1/2"X12	50	32	36	23.5	75



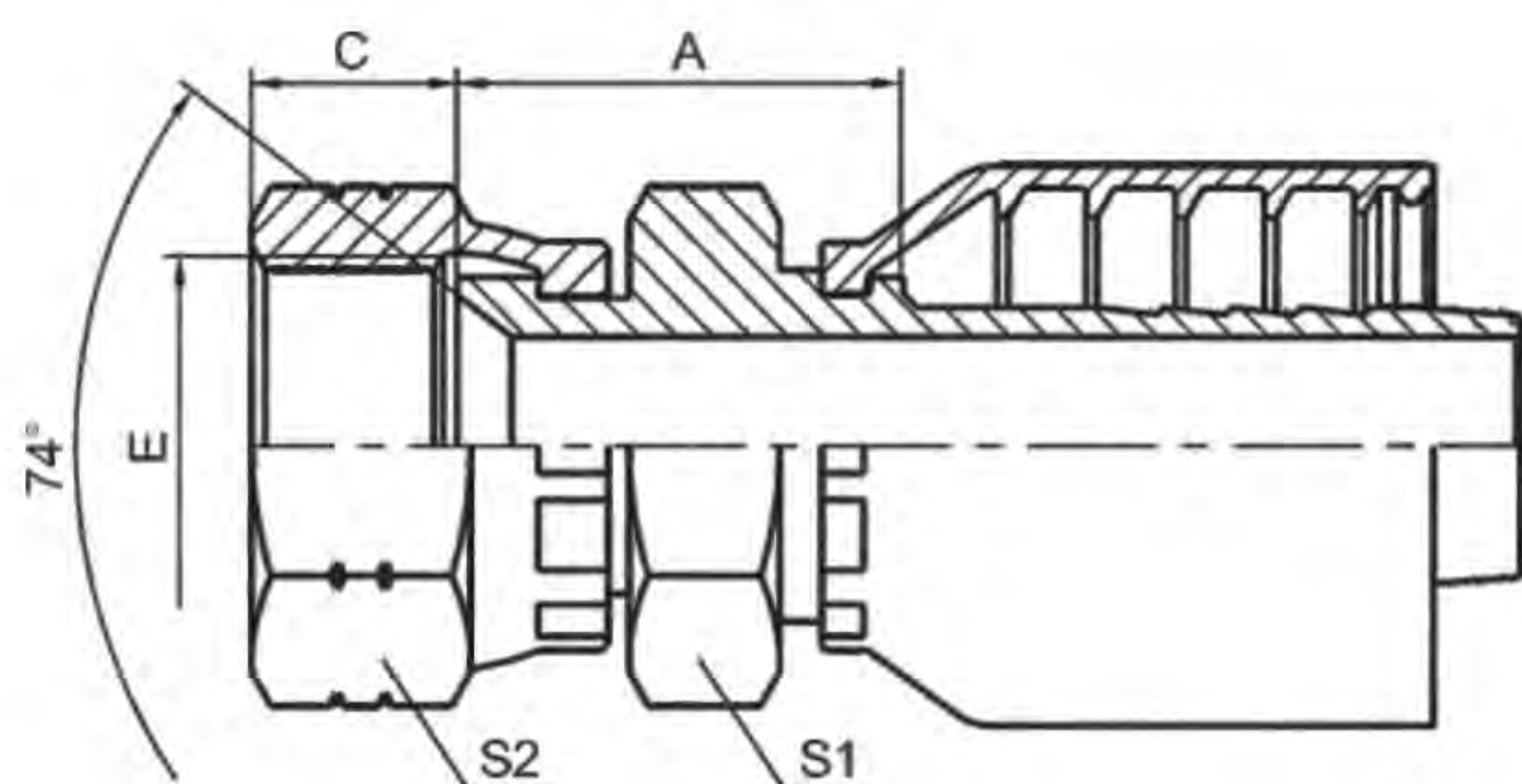
26741-RW/26742-RW
 45° 美制JIC内螺纹74°内锥面
 45° JIC FEMALE 74° CONE SEAT
 SAE J514

代号 PART NO.		螺纹E THREAD E	胶管HOSE BORE		尺寸 DIMENSIONS			
编织 BRAIDED	缠绕 SPIRAL		公称内径 DN	标号 DASH	A	C	H	S2
26741-04-04RW	—	7/16"X20	6	04	41.7	9	18.1	15
26741-05-04RW	—	1/2"X20	6	04	42	9.5	18.4	17
26741-05-05RW	—	1/2"X20	8	05	44.1	9.5	19.3	17
26741-06-04TRW	—	9/16"X18	6	04	40.6	10.5	17	19
26741-06-05RW	—	9/16"X18	8	05	44.1	10.5	19.3	19
26741-06-06RW	—	9/16"X18	10	06	45.2	10.5	20	19
26741-06-08RW	26742-06-08RW	9/16"X18	12	08	58.6	10.5	22.2	19
26741-08-06TRW	26742-08-06TRW	3/4"X16	10	06	45.2	11	20	24
26741-08-08RW	26742-08-08RW	3/4"X16	12	08	60	11	23.6	24
26741-08-10RW	26742-08-10RW	3/4"X16	16	10	70.2	11	24.9	24
26741-10-08RW	26742-10-08RW	7/8"X14	12	08	60.4	13	24	27
26741-10-10RW	26742-10-10RW	7/8"X14	16	10	70.6	13	25.3	27
26741-10-12RW	26742-10-12RW	7/8"X14	20	12	73.9	13	28.1	27
26741-12-08TRW	26742-12-08TRW	1.1/16"X12	12	08	59.3	15	22.9	32
26741-12-10TRW	26742-12-10TRW	1.1/16"X12	16	10	69.5	15	24.2	32
26741-12-12RW	26742-12-12RW	1.1/16"X12	20	12	75	15	29.2	32
26741-12-16RW	26742-12-16RW	1.1/16"X12	25	16	87.9	15	31.5	32
26741-14-12RW	26742-14-12RW	1.3/16"X12	20	12	75	15	29.2	36
26741-16-12TRW	26742-16-12TRW	1.5/16"X12	20	12	72.8	16	27	41
26741-16-16RW	26742-16-16RW	1.5/16"X12	25	16	87.9	16	31.5	41
26741-16-20RW	26742-16-20RW	1.5/16"X12	32	20	97.5	16	35.6	41
26741-20-16TRW	26742-20-16TRW	1.5/8"X12	25	16	86.1	17	29.7	50
26741-20-20WRW	26742-20-20WRW	1.5/8"X12	32	20	97.8	17	38.7	50
26741-24-20TRW	26742-24-20TRW	1.7/8"X12	32	20	95.3	20	33.4	55
26741-24-24WRW	26742-24-24WRW	1.7/8"X12	40	24	116.8	20	44.1	55
26741-32-24TRW	26742-32-24TRW	2.1/2"X12	40	24	113.6	23.5	40.9	75
26741-32-32WRW	26742-32-32WRW	2.1/2"X12	50	32	141.4	23.5	51.6	75



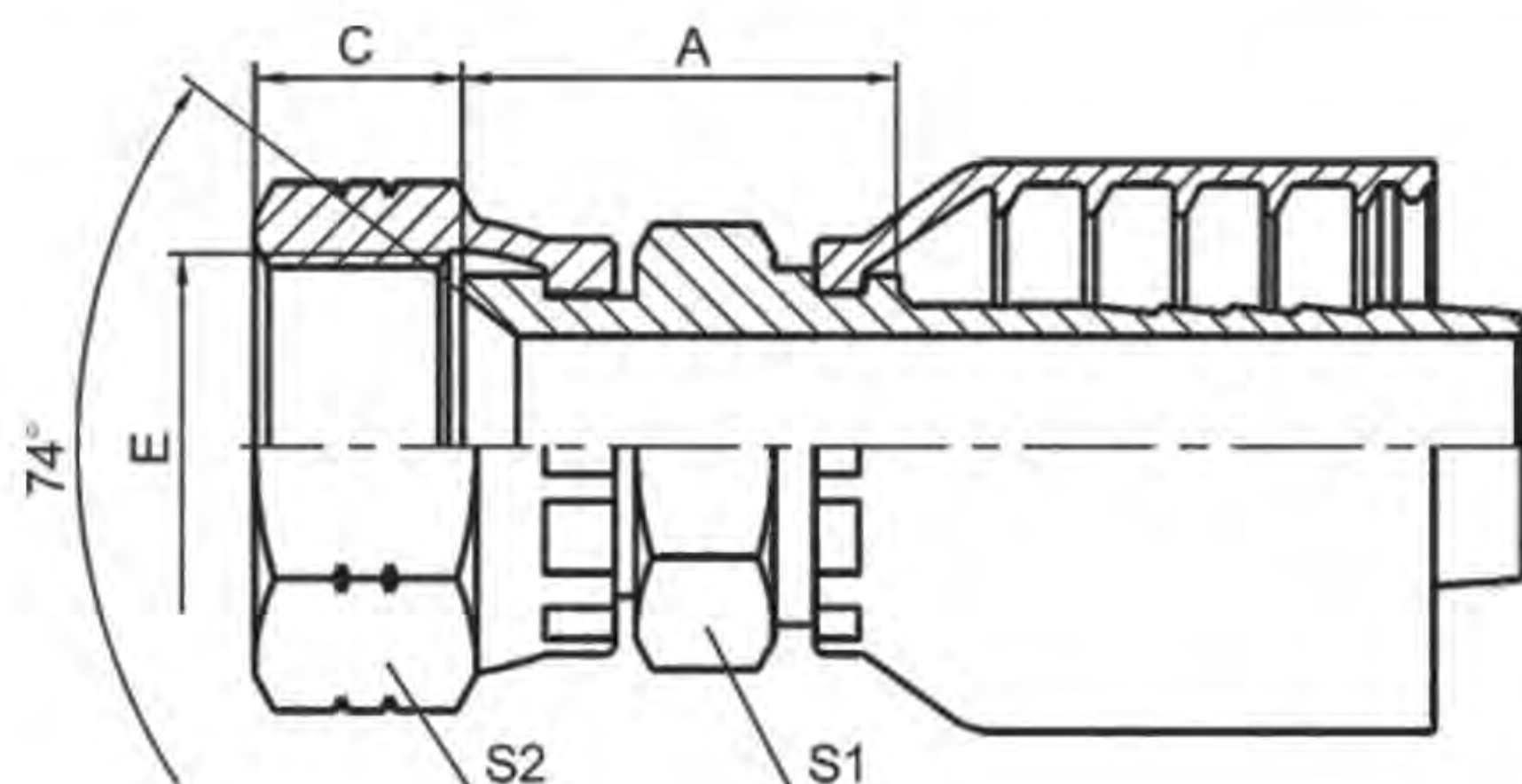
26791-RW/26792-RW
 90° 美制JIC内螺纹74°内锥面
 90° JIC FEMALE 74° CONE SEAT
 SAE J514

代号 PART NO.		螺纹E	胶管HOSE BORE		尺寸 DIMENSIONS				
编织 BRAIDED	缠绕 SPIRAL	THREAD E	公称内径 DN	标号 DASH	A	C	H	S2	
26791-04-04RW	—	7/16"X20	6	04	31.5	9	33.5	15	
26791-05-04RW	—	1/2"X20	6	04	31.5	9.5	34	17	
26791-05-05RW	—	1/2"X20	8	05	34.5	9.5	37	17	
26791-06-04TRW	—	9/16"X18	6	04	31.5	10.5	32	19	
26791-06-05RW	—	9/16"X18	8	05	34.5	10.5	37	19	
26791-06-06RW	—	9/16"X18	10	06	36.3	10.5	39.3	19	
26791-06-08RW	26792-06-08RW	9/16"X18	12	08	42.5	10.5	45.5	19	
26791-08-06TRW	—	3/4"X16	10	06	36.3	11	39.3	24	
26791-08-08RW	26792-08-08RW	3/4"X16	12	08	42.5	11	47.5	24	
26791-08-10RW	26792-08-10RW	3/4"X16	16	10	57	11	52	24	
26791-10-08RW	26792-10-08RW	7/8"X14	12	08	42.5	13	48	27	
26791-10-10RW	26792-10-10RW	7/8"X14	16	10	57	13	52.5	27	
26791-10-12RW	26792-10-12RW	7/8"X14	20	12	63.2	13	59	27	
26791-12-08TRW	26792-12-08TRW	1.1/16"X12	12	08	42.5	15	46.5	32	
26791-12-10TRW	26792-12-10TRW	1.1/16"X12	16	10	57	15	51	32	
26791-12-12RW	26792-12-12RW	1.1/16"X12	20	12	63.2	15	60.5	32	
26791-12-16RW	26792-12-16RW	1.1/16"X12	25	16	78.9	15	70	32	
26791-14-12RW	26792-14-12RW	1.3/16"X12	20	12	63.2	15	60.5	36	
26791-16-12TRW	26792-16-12TRW	1.5/16"X12	20	12	63.2	16	57.5	41	
26791-16-16RW	26792-16-16RW	1.5/16"X12	25	16	78.9	16	70	41	
26791-16-20RW	26792-16-20RW	1.5/16"X12	32	20	92.7	16	81	41	
26791-20-16TRW	26792-20-16TRW	1.5/8"X12	25	16	78.9	17	67.5	50	
26791-20-20WRW	26792-20-20WRW	1.5/8"X12	32	20	92.7	17	85.5	50	
26791-24-20TRW	26792-24-20TRW	1.7/8"X12	32	20	92.7	20	78	55	
26791-24-24WRW	26792-24-24WRW	1.7/8"X12	40	24	111.4	20	101	55	
26791-32-24TRW	26792-32-24TRW	2.1/2"X12	40	24	111.4	23.5	96.5	75	
26791-32-32WRW	26792-32-32WRW	2.1/2"X12	50	32	138.6	23.5	121.8	75	



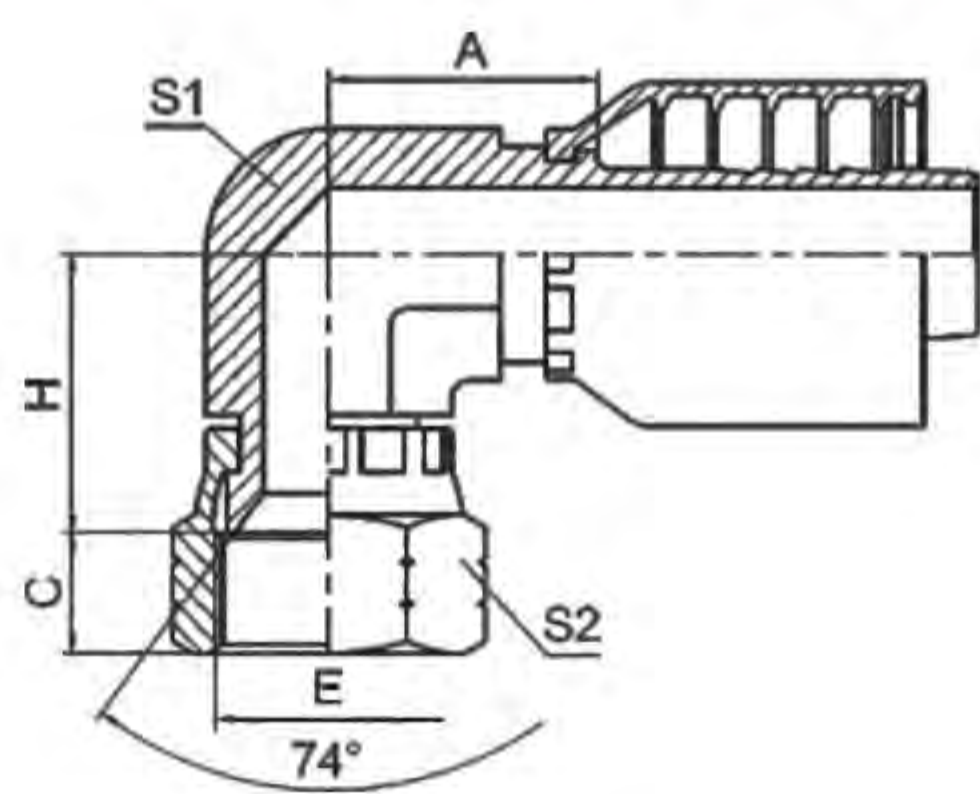
26711D-RW/26712D-RW
美制JIC内螺纹74°内锥面双六角
JIC FEMALE 74° CONE SEAT DOUBLE HEXAGON
SAE J514

代号 PART NO.		螺纹E	胶管HOSE BORE		尺寸 DIMENSIONS			
编织 BRAIDED	缠绕 SPIRAL	THREAD E	公称内径 DN	标号 DASH	A	C	S1	S2
26711D-04-04RW	—	7/16"X20	6	04	20	9	17	15
26711D-05-05RW	—	1/2"X20	8	05	20.5	9.5	17	17
26711D-06-06RW	—	9/16"X18	10	06	20	10.5	19	19
26711D-08-08RW	26712D-08-08RW	3/4"X16	12	08	25	11	24	24
26711D-10-08RW	26712D-10-08RW	7/8"X14	12	08	27.5	13	27	27
26711D-10-10RW	26712D-10-10RW	7/8"X14	16	10	28	13	27	27
26711D-12-12RW	26712D-12-12RW	1.1/16"X12	20	12	29.5	15	32	32
26711D-16-16RW	26712D-16-16RW	1.5/16"X12	25	16	34.7	16	41	41
26711D-20-20WRW	26712D-20-20WRW	1.5/8"X12	32	20	41.2	17	50	50
26711D-24-24WRW	26712D-24-24WRW	1.7/8"X12	40	24	43	20	55	55
26711D-32-32WRW	26712D-32-32WRW	2.1/2"X12	50	32	49	23.5	75	75



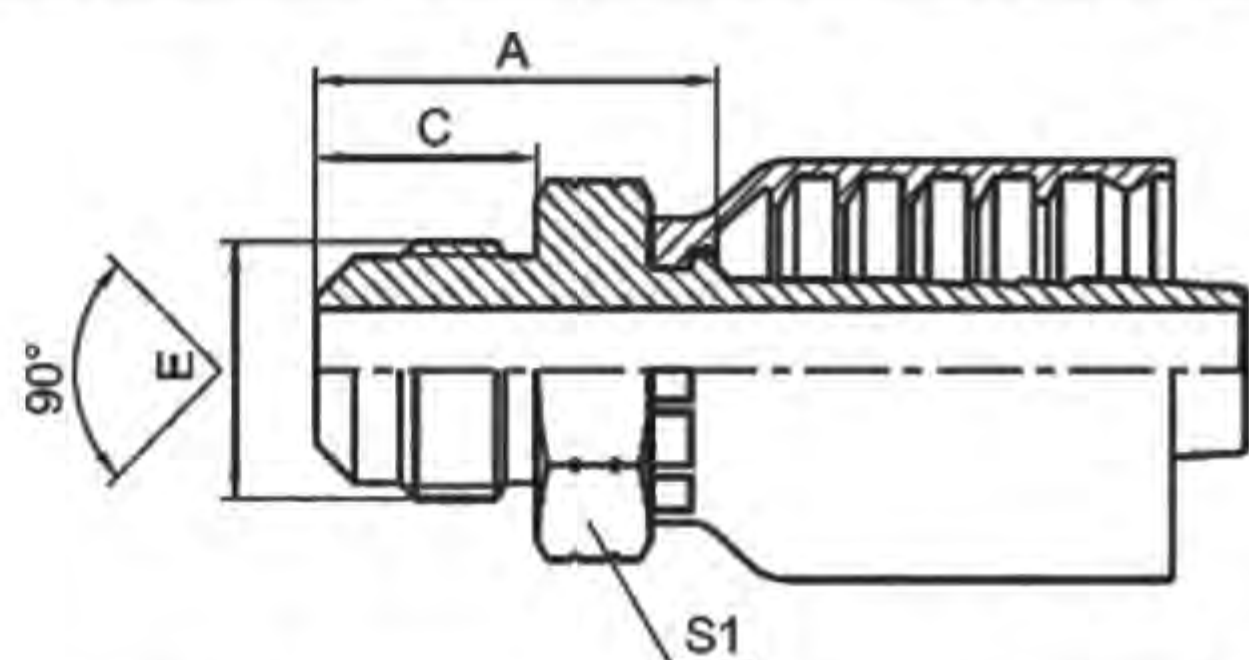
26711D-SMRW/26712D-SMRW
美制JIC内螺纹74°内锥面双六角
JIC FEMALE 74° CONE SEAT DOUBLE HEXAGON
SAE J514

代号 PART NO.		螺纹E	胶管HOSE BORE		尺寸 DIMENSIONS			
编织 BRAIDED	缠绕 SPIRAL	THREAD E	公称内径 DN	标号 DASH	A	C	S1	S2
26711D-04-04SMRW	—	7/16"X20	6	04	20	9	12	15
26711D-05-05SMRW	—	1/2"X20	8	05	20.5	9.5	14	17
26711D-06-06SMRW	—	9/16"X18	10	06	20	10.5	17	19
26711D-08-08SMRW	26712D-08-08SMRW	3/4"X16	12	08	25	11	22	24
26711D-10-08SMRW	26712D-10-08SMRW	7/8"X14	12	08	25.5	13	22	27
26711D-10-10SMRW	26712D-10-10SMRW	7/8"X14	16	10	26	13	22	27
26711D-12-12SMRW	26712D-12-12SMRW	1.1/16"X12	20	12	28.5	15	27	32
26711D-16-16SMRW	26712D-16-16SMRW	1.5/16"X12	25	16	32.7	16	32	41
26711D-20-20W/SMRW	26712D-20-20W/SMRW	1.5/8"X12	32	20	39.2	17	41	50
26711D-24-24W/SMRW	26712D-24-24W/SMRW	1.7/8"X12	40	24	41	20	46	55
26711D-32-32W/SMRW	26712D-32-32W/SMRW	2.1/2"X12	50	32	49	23.5	65	75



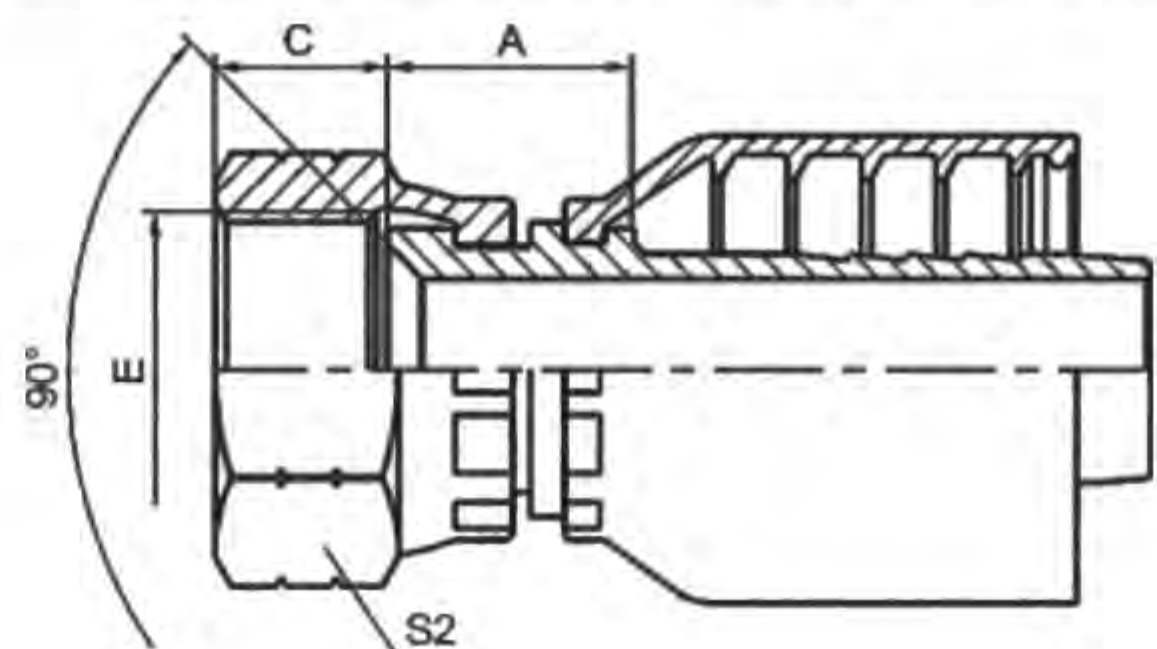
26791K-RW/26792K-RW
90°美制短身JIC内螺纹74°内锥面
90°JIC COOMPACT FEMALE 74°CONE SEAT
SAE J514

代号 PART NO.		螺纹E	胶管HOSE BORE		尺寸 DIMENSIONS				
编织 BRAIDED	缠绕 SPIRAL	THREAD E	公称内径 DN	标号 DASH	A	C	H	S1	S2
26791K-04-04RW	—	7/16"X20	6	04	19	9	18	11	15
26791K-06-04RW	—	9/16"X18	6	04	20	10.5	21	14	19
26791K-06-06RW	—	9/16"X18	10	06	21	10.5	21	16	19
26791K-08-06RW	—	3/4"X16	10	06	23.5	11	25	19	24
26791K-08-08RW	26792K-08-08RW	3/4"X16	12	08	24	11	25	22	24
26791K-10-08RW	26792K-10-08RW	7/8"X14	12	08	25	13	27.5	22	27
26791K-10-10RW	26792K-10-10RW	7/8"X14	16	10	26.5	13	27.5	22	27
26791K-12-12RW	26792K-12-12RW	1.1/16"X12	20	12	27.5	15	30	27	32
26791K-16-16RW	26792K-16-16RW	1.5/16"X12	25	16	45.2	16	34.3	33	41



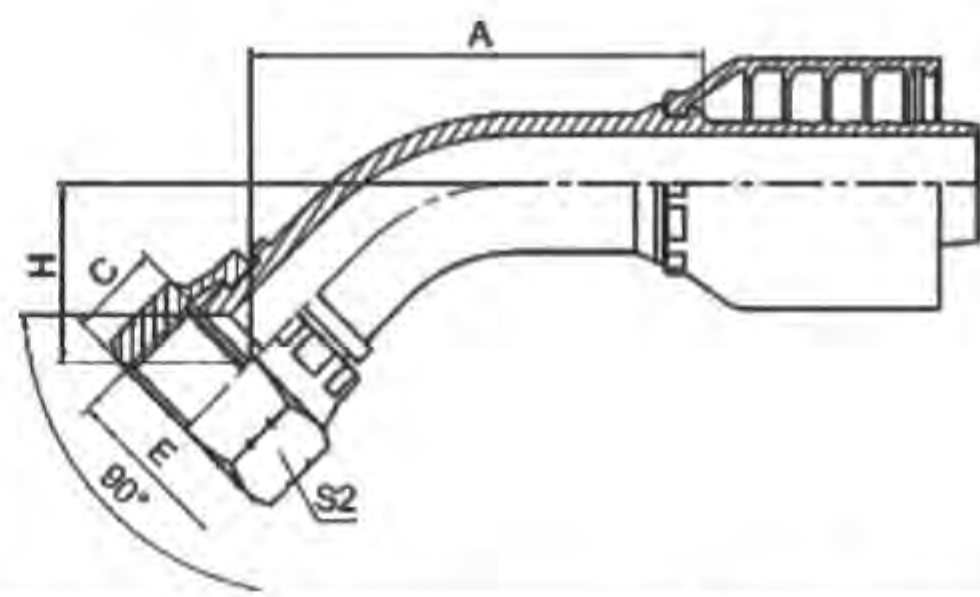
17811-RW/17812-RW
美制SAE外螺纹90°外锥面
SAE MALE 90°CONE
SAE J513

代号 PART NO.		螺纹E	胶管HOSE BORE		尺寸 DIMENSIONS		
编织 BRAIDED	缠绕 SPIRAL	THREAD E	公称内径 DN	标号 DASH	A	C	S1
17811-04-04RW	—	7/16"X20	6	04	24.7	12.7	12
17811-05-05RW	—	1/2"X20	8	05	26.2	14.2	14
17811-06-04RW	—	5/8"X18	6	04	27.7	15.7	17
17811-06-05RW	—	5/8"X18	8	05	27.7	15.7	17
17811-06-06RW	—	5/8"X18	10	06	27.2	15.7	17
17811-08-08RW	17812-08-08RW	3/4"X16	12	08	33.5	19	22
17811-10-08RW	17812-10-08RW	7/8"14	12	08	36.9	22.4	24
17811-10-10RW	17812-10-10RW	7/8"14	16	10	37.4	22.4	24
17811-12-12RW	17812-12-12RW	1.1/16"X14	20	12	41.4	25.4	30



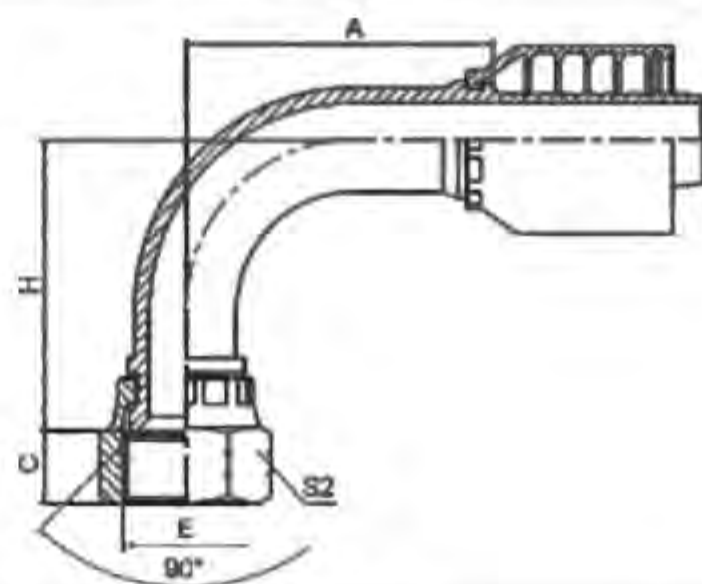
27811-RW/27812-RW
美制SAE内螺纹90°内锥面
SAE FEMALE 90° CONE SEAT
SAE J513

代号 PART NO.		螺纹E	胶管HOSE BORE		尺寸 DIMENSIONS		
编织 BRAIDED	缠绕 SPIRAL	THREAD E	公称内径 DN	标号 DASH	A	C	S2
27811-04-04RW	—	7/16"X20	6	04	16.5	9	15
27811-05-05RW	—	1/2"X20	8	05	17	9.5	17
27811-06-04RW	—	5/8"X18	6	04	18.5	11.3	22
27811-06-05RW	—	5/8"X18	8	05	18.5	11.3	22
27811-06-06RW	—	5/8"X18	10	06	18.5	11.3	22
27811-08-08RW	27812-08-08RW	3/4"X16	12	08	20	11	24
27811-10-08RW	27812-10-08RW	7/8"14	12	08	20.5	13	27
27811-10-10RW	27812-10-10RW	7/8"14	16	10	21	13	27
27811-12-12RW	27812-12-12RW	1.1/16"X14	20	12	22	14.3	32



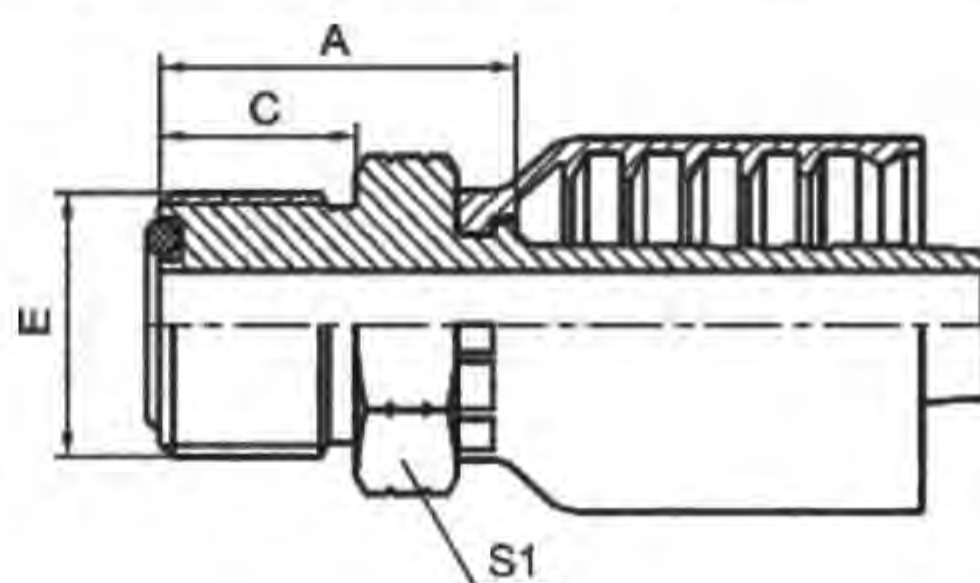
27841-RW/27842-RW
45° 美制SAE内螺纹90°内锥面
45°SAE FEMALE 90° CONE SEAT
SAE J513

代号 PART NO.		螺 纹E	胶管HOSE BORE		尺寸 DIMENSIONS			
编织 BRAIDED	缠绕 SPIRAL	THREAD E	公称内径 DN	标号 DASH	A	C	H	S2
27841-04-04-RW	—	7/16"X20	6	04	41.7	9	18.1	15
27841-05-05-RW	—	1/2"X20	8	05	44.1	9.5	19.3	17
27841-06-04-RW	—	5/8"X18	6	04	43.1	11.3	19.5	22
27841-06-05-RW	—	5/8"X18	8	05	45.2	11.3	20.4	22
27841-06-06-RW	—	5/8"X18	10	06	46.3	11.3	21.1	22
27841-08-08-RW	27842-08-08-RW	3/4"X16	12	08	60	11	23.6	24
27841-10-08-RW	27842-10-08-RW	7/8"14	12	08	60.4	13	24	27
27841-10-10-RW	27842-10-10-RW	7/8"14	16	10	70.6	13	25.3	27
27841-12-12-RW	27842-12-12-RW	1.1/16"X14	20	12	75	14.3	29.2	32



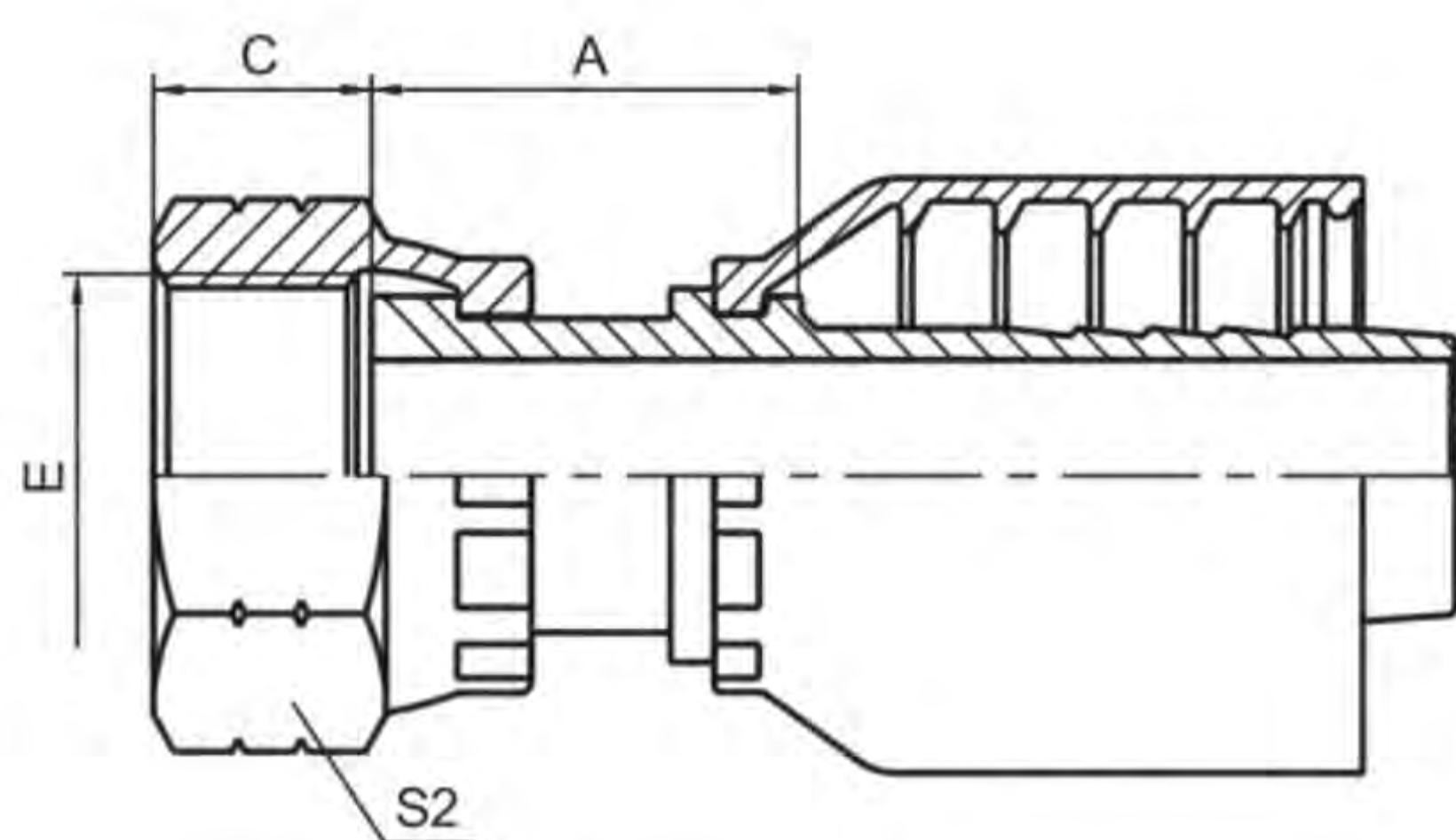
27891-RW/27892-RW
90° 美制SAE内螺纹90°内锥面
90°SAE FEMALE 90° CONE SEAT
SAE J513

代号 PART NO.		螺 纹E	胶管HOSE BORE		尺寸 DIMENSIONS			
编织 BRAIDED	缠绕 SPIRAL	THREAD E	公称内径 DN	标号 DASH	A	C	H	S2
27891-04-04RW	—	7/16"X20	6	04	31.5	9	33.5	15
27891-05-05RW	—	1/2"X20	8	05	34.5	9.5	37	17
27891-06-04RW	—	5/8"X18	6	04	31.5	11.3	35.5	22
27891-06-05RW	—	5/8"X18	8	05	34.5	11.3	38.5	22
27891-06-06RW	—	5/8"X18	10	06	36.3	11.3	40.8	22
27891-08-08RW	27892-08-08RW	3/4"X16	12	08	42.5	11	47.5	24
27891-10-08RW	27892-10-08RW	7/8"14	12	08	42.5	13	48	27
27891-10-10RW	27892-10-10RW	7/8"14	16	10	57	13	52.5	27
27891-12-12RW	27892-12-12RW	1.1/16"X14	20	12	63.2	14.3	60.5	32



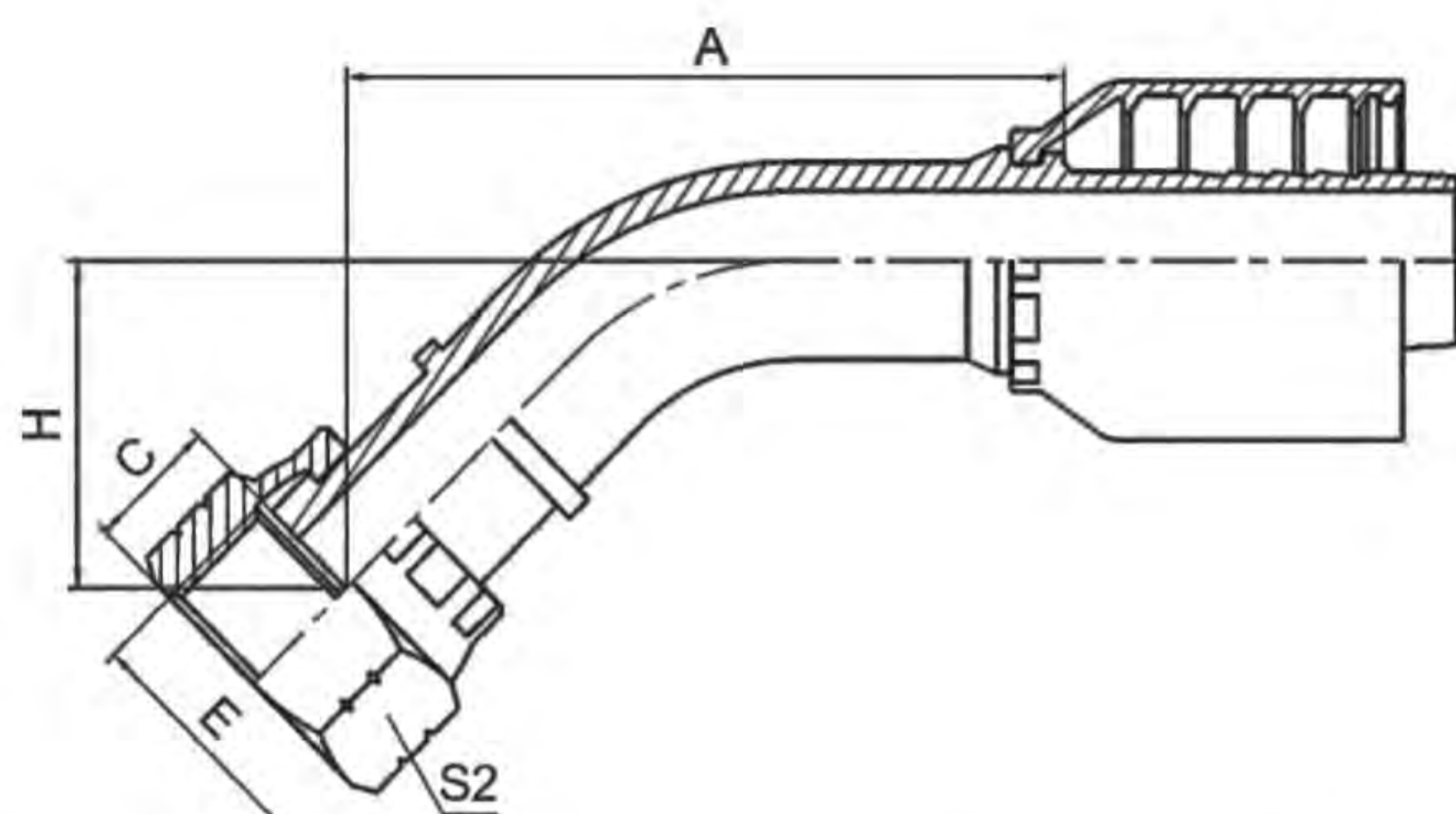
14211-RW/14212-RW
美制ORFS外螺纹平面O形圈密封
ORFS MALE O-RING SEAL
ISO 8434-3, SAE J1453

代号 PART NO.		螺 纹E	胶管HOSE BORE		○形圈	尺寸 DIMENSIONS		
编织 BRAIDED	缠绕 SPIRAL	THREAD E	公称内径 DN	标号 DASH	O RING	A	C	S2
14211-04-04RW	—	9/16"X18	6	04	O011	21.8	9.8	17
14211-06-04RW	—	11/16"X16	6	04	O012	23.2	11.2	19
14211-06-06RW	—	11/16"X16	10	06	O012	22.7	11.2	19
14211-08-06RW	—	13/16"X16	10	06	O014	26.3	12.8	22
14211-08-08RW	14212-08-08RW	13/16"X16	12	08	O014	27.3	12.8	22
14211-08-10RW	14212-08-10RW	13/16"X16	16	10	O014	27.8	12.8	22
14211-10-08RW	14212-10-08RW	1"X14	12	08	O016	32	15.5	27
14211-10-10RW	14212-10-10RW	1"X14	16	10	O016	32.5	15.5	27
14211-12-08RW	14212-12-08RW	1.3/16"X12	12	08	O018	34.5	17	32
14211-12-10RW	14212-12-10RW	1.3/16"X12	16	10	O018	35	17	32
14211-12-12RW	14212-12-12RW	1.3/16"X12	20	12	O018	34	17	32
14211-16-12RW	14212-16-12RW	1.7/16"X12	20	12	O021	34.5	17.5	38
14211-16-16RW	14212-16-16RW	1.7/16"X12	25	16	O021	37.7	17.5	38
14211-20-20RW	14212-20-20RW	1.11/16"X12	32	20	O025	39.7	17.5	46
14211-24-24RW	14212-24-24RW	2"X12	40	24	O029	42.5	17.5	55



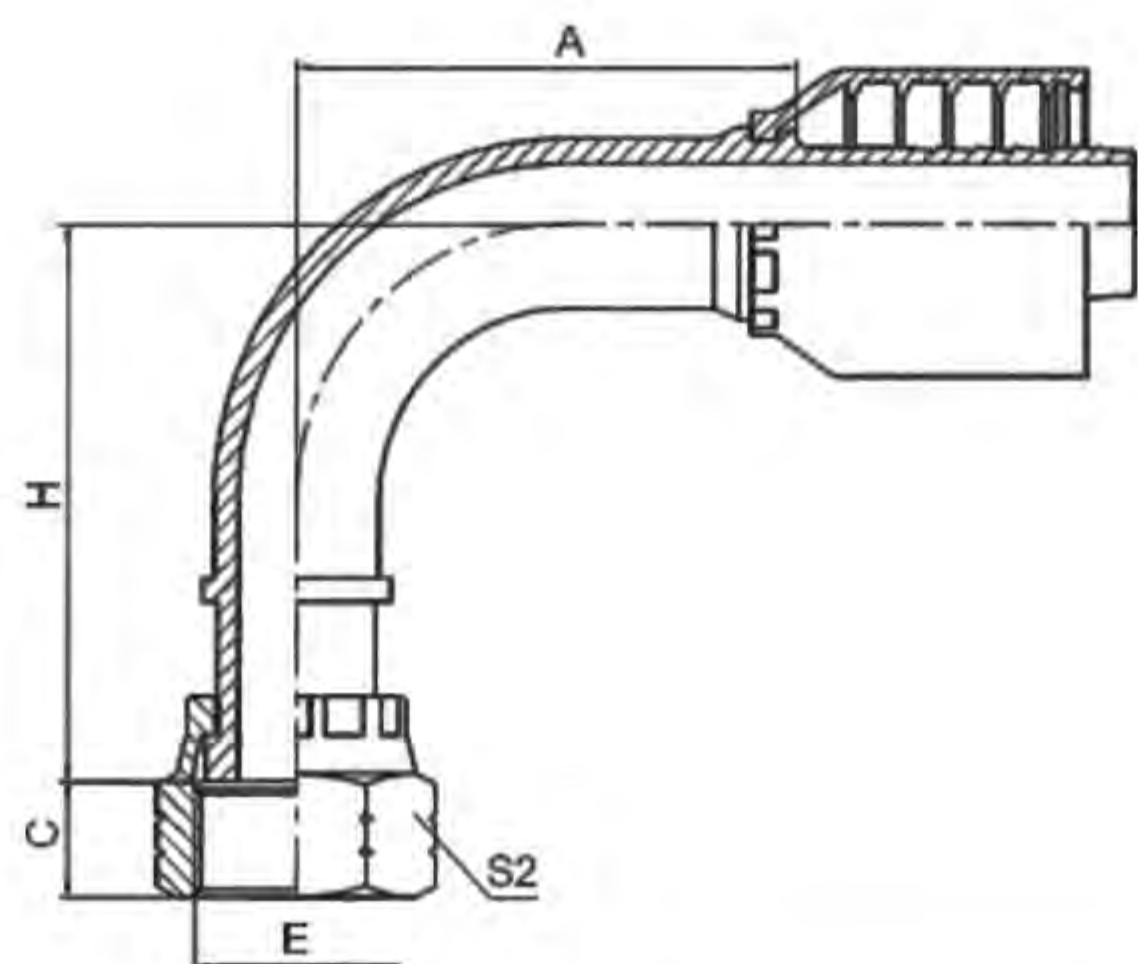
24211-RW/24212-RW
美制ORFS内螺纹平面
ORFS FEMALE FLAT SEAT
ISO 12151-1-----SAE J516

代号 PART NO.		螺纹E	胶管HOSE BORE		尺寸 DIMENSIONS		
编织 BRAIDED	缠绕 SPIRAL	THREAD E	公称内径 DN	标号 DASH	A	C	S2
24211-04-04RW	—	9/16"X18	6	04	24	8.5	19
24211-04-05RW	—	9/16"X18	8	05	24	8.5	19
24211-04-06RW	—	9/16"X18	10	06	24	8.5	19
24211-06-04TRW	—	11/16"X16	6	04	26	10	22
24211-06-05TRW	—	11/16"X16	8	05	26	10	22
24211-06-06RW	—	11/16"X16	10	06	27	10	22
24211-06-08RW	24212-06-08RW	11/16"X16	12	08	28	10	22
24211-08-05TRW	—	13/16"X16	8	05	27.5	11	27
24211-08-06TRW	—	13/16"X16	10	06	27	11	27
24211-08-08RW	24212-08-08RW	13/16"X16	12	08	30	11	27
24211-08-10RW	24212-08-10RW	13/16"X16	16	10	30.5	11	27
24211-10-08TRW	24212-10-08TRW	1"X14	12	08	32	13.5	30
24211-10-10RW	24212-10-10RW	1"X14	16	10	34.5	13.5	30
24211-10-12RW	24212-10-12RW	1"X14	20	12	34	13.5	30
24211-12-08TRW	24212-12-08TRW	1.3/16"X12	12	08	33.5	15	36
24211-12-10TRW	24212-12-10TRW	1.3/16"X12	16	10	34	15	36
24211-12-12TRW	24212-12-12TRW	1.3/16"X12	20	12	33	15	36
24211-12-16RW	24212-12-16RW	1.3/16"X12	25	16	38.7	15	36
24211-16-12TRW	24212-16-12TRW	1.7/16"X12	20	12	34	14.8	41
24211-16-16TRW	24212-16-16TRW	1.7/16"X12	16	10	35	14.8	41
24211-16-20RW	24212-16-20RW	1.7/16"X12	32	20	41.2	14.8	41
24211-20-16TRW	24212-20-16TRW	1.11/16"X12	25	16	38.2	15	50
24211-20-20WRW	24212-20-20WRW	1.11/16"X12	32	20	45.2	15	50
24211-20-24WRW	24212-20-24WRW	1.11/16"X12	40	24	46	15	50
24211-24-20TRW	24212-24-20TRW	2"X12	32	20	38.2	14.8	60
24211-24-24TRW	24212-24-24TRW	2"X12	40	24	39	14.8	60



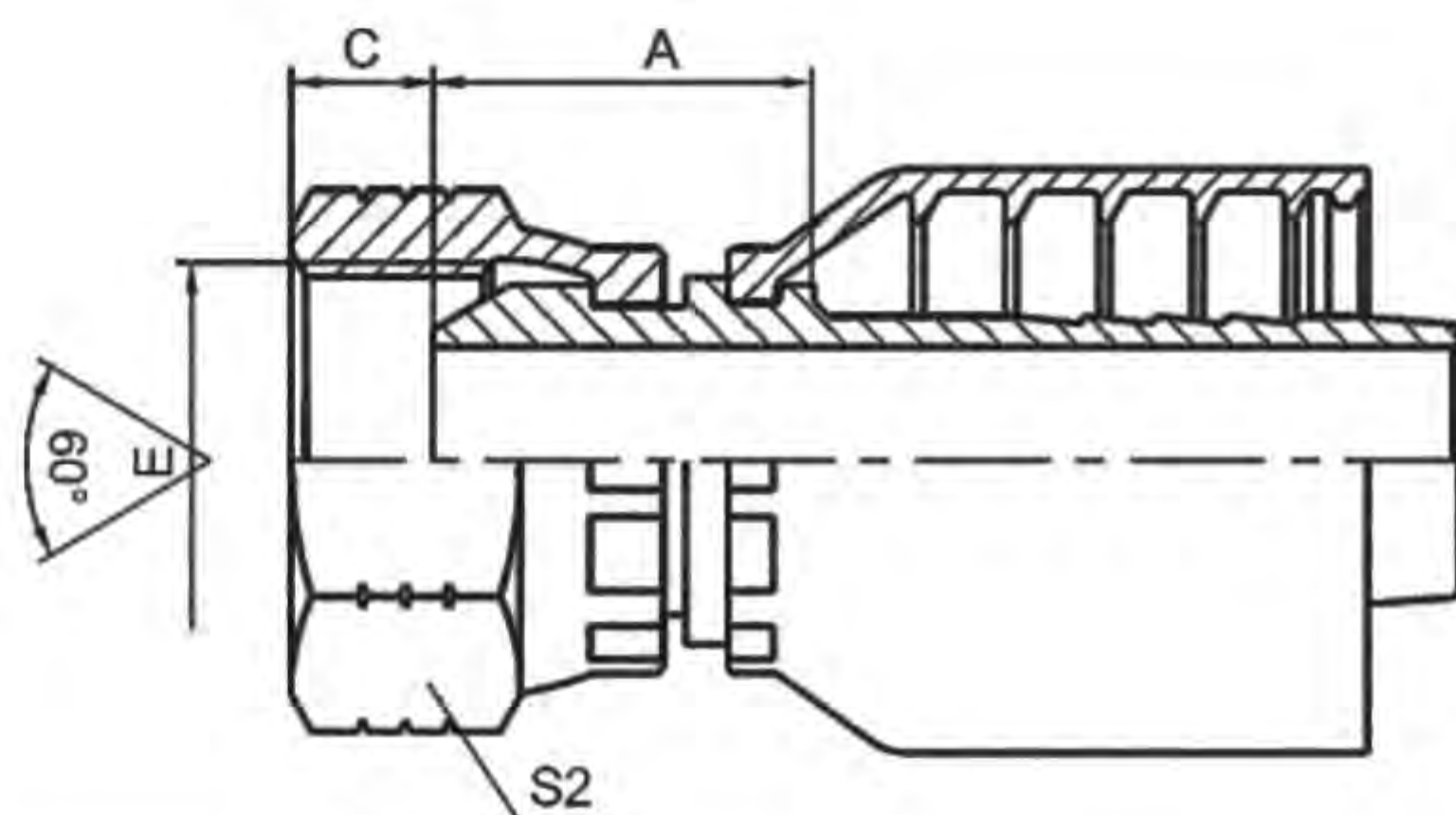
24241-RW/24242-RW
45° 美制ORFS内螺纹平面
45° ORFS FEMALE FLAT SEAT
ISO 12151-1-----SAE J516

代号 PART NO.		螺纹E	胶管HOSE BORE		尺寸 DIMENSIONS				
编织 BRAIDED	缠绕 SPIRAL	THREAD E	公称内径 DN	标号 DASH	A	C	H	S2	
24241-04-04RW	—	9/16"X18	6	04	47	8.5	23.4	19	
24241-04-05RW	—	9/16"X18	8	05	49.1	8.5	24.3	19	
24241-04-06RW	—	9/16"X18	10	06	50.2	8.5	25	19	
24241-06-04TRW	—	11/16"X16	6	04	41.7	10	18.1	22	
24241-06-05TRW	—	11/16"X16	8	05	43.8	10	19	22	
24241-06-06RW	—	11/16"X16	10	06	52.3	10	27.1	22	
24241-06-08RW	24242-06-08RW	11/16"X16	12	08	65.7	10	29.3	22	
24211-08-05TRW	—	13/16"X16	8	05	44.1	11	19.3	27	
24241-08-06TRW	—	13/16"X16	10	06	45.2	11	20	27	
24241-08-08RW	24242-08-08RW	13/16"X16	12	08	67.1	11	30.7	27	
24241-08-10RW	24242-08-10RW	13/16"X16	16	10	77.3	11	32	27	
24241-10-08TRW	24242-10-08TRW	1"X14	12	08	59	13.5	22.6	30	
24241-10-10RW	24242-10-10RW	1"X14	16	10	80.1	13.5	34.8	30	
24241-10-12RW	24242-10-12RW	1"X14	20	12	83.4	13.5	37.6	30	
24241-12-08TRW	24242-12-08TRW	1.3/16"X12	12	08	59	15	22.6	36	
24241-12-10TRW	24242-12-10TRW	1.3/16"X12	16	10	69.2	15	23.9	36	
24241-12-12TRW	24242-12-12TRW	1.3/16"X12	20	12	72.5	15	26.7	36	
24241-12-16RW	24242-12-16RW	1.3/16"X12	25	16	97.4	15	41	36	
24241-16-12TRW	24242-16-12TRW	1.7/16"X12	20	12	73.2	14.8	27.4	41	
24241-16-16TRW	24242-16-16TRW	1.7/16"X12	16	10	69.9	14.8	24.6	41	
24241-16-20RW	24242-16-20RW	1.7/16"X12	32	20	108.4	14.8	46.5	41	
24241-20-16TRW	24242-20-16TRW	1.11/16"X12	25	16	86.1	15	29.7	50	
24241-20-20WRW	24242-20-20WRW	1.11/16"X12	32	20	111.3	15	49.4	50	
24241-20-24WRW	24242-20-24WRW	1.11/16"X12	40	24	126.7	15	54	50	
24241-24-20TRW	24242-24-20TRW	2"X12	32	20	95.7	14.8	33.8	60	
24241-24-24TRW	24242-24-24TRW	2"X12	40	24	110.4	14.8	37.7	60	



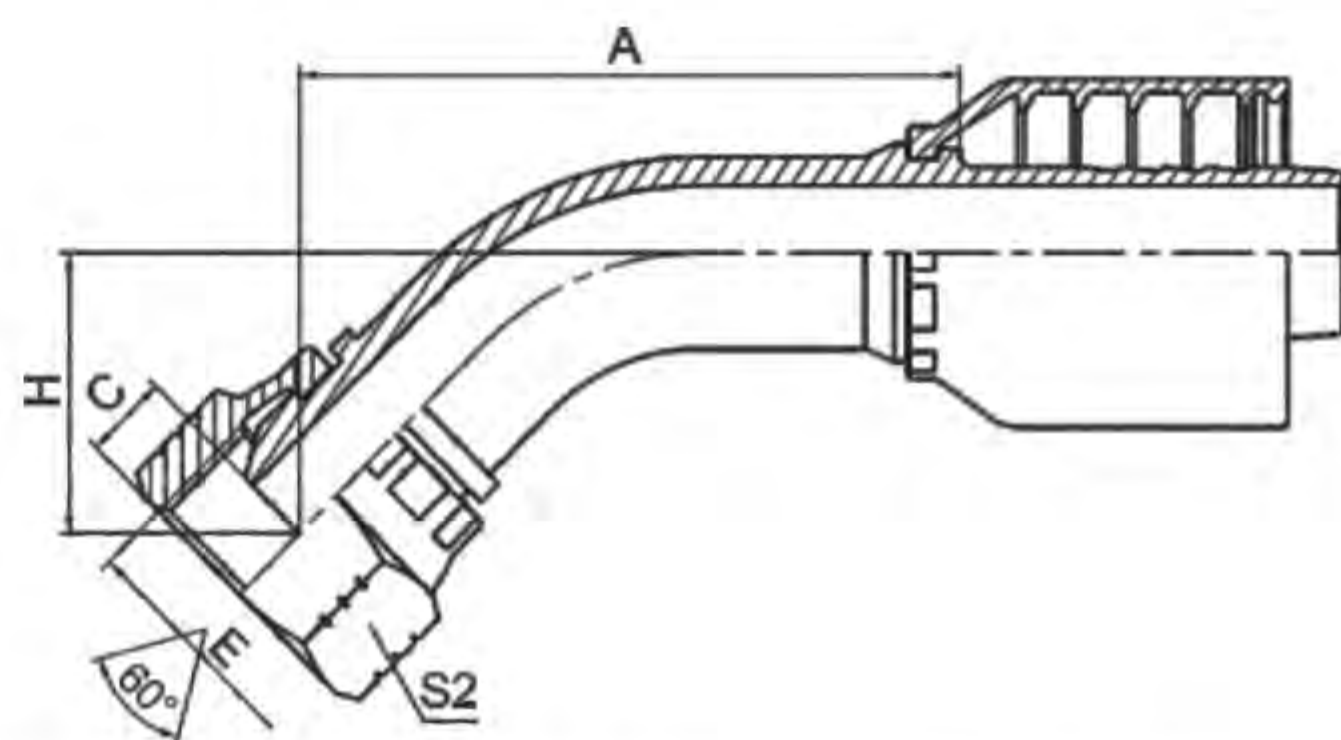
24291-RW/24292-RW
 90° 美制ORFS内螺纹平面
 90° ORFS FEMALE FLAT SEAT
 ISO 12151-1-----SAE J516

代号 PART NO.		螺纹E	胶管HOSE BORE		尺寸 DIMENSIONS				
编织 BRAIDED	缠绕 SPIRAL	THREAD E	公称内径 DN	标号 DASH	A	C	H	S2	
24291-04-04RW	—	9/16"X18	6	04	31.5	8.5	41	19	
24291-04-05RW	—	9/16"X18	8	05	34.5	8.5	44	19	
24291-04-06RW	—	9/16"X18	10	06	36.3	8.5	46.3	19	
24291-06-04TRW	—	11/16"X16	6	04	31.5	8.5	33.5	19	
24291-06-05TRW	—	11/16"X16	8	05	34.5	10	36.5	22	
24291-06-06RW	—	11/16"X16	10	06	36.3	10	49.3	22	
24291-06-08RW	24292-06-08RW	11/16"X16	12	08	42.5	10	55.5	22	
24211-08-05TRW	—	13/16"X16	8	05	34.5	11	37	27	
24291-08-06TRW	—	13/16"X16	10	06	36.3	11	39.3	27	
24291-08-08RW	24292-08-08RW	13/16"X16	12	08	42.5	11	57.5	27	
24291-08-10RW	24292-08-10RW	13/16"X16	16	10	57	11	62	27	
24291-10-08TRW	24292-10-08TRW	1"X14	12	08	42.5	13.5	46	30	
24291-10-10RW	24292-10-10RW	1"X14	16	10	57	13.5	66	30	
24291-10-12RW	24292-10-12RW	1"X14	20	12	63.2	13.5	72.5	30	
24241-12-08TRW	24242-12-08TRW	1.3/16"X12	12	08	42.5	15	46	36	
24291-12-10TRW	24292-12-10TRW	1.3/16"X12	16	10	57	15	50.5	36	
24291-12-12TRW	24292-12-12RW	1.3/16"X12	20	12	63.2	15	57	36	
24291-12-16RW	24292-12-16RW	1.3/16"X12	25	16	78.9	15	83.5	36	
24291-16-12TRW	24292-16-12TRW	1.7/16"X12	20	12	63.2	14.8	58	41	
24291-16-16TRW	24292-16-16TRW	1.7/16"X12	16	10	57	14.8	51.5	41	
24291-16-20RW	24292-16-20RW	1.7/16"X12	32	20	92.7	14.8	96.5	41	
24291-20-16TRW	24292-20-16TRW	1.11/16"X12	25	16	78.9	15	67.5	50	
24291-20-20WRW	24292-20-20WRW	1.11/16"X12	32	20	92.7	15	100.5	50	
24291-20-24WRW	24292-20-24WRW	1.11/16"X12	40	24	111.4	15	115	50	
24291-24-20TRW	24292-24-20TRW	2"X12	32	20	92.7	14.8	78.5	60	
24291-24-24TRW	24292-24-24TRW	2"X12	40	24	111.4	14.8	92	60	



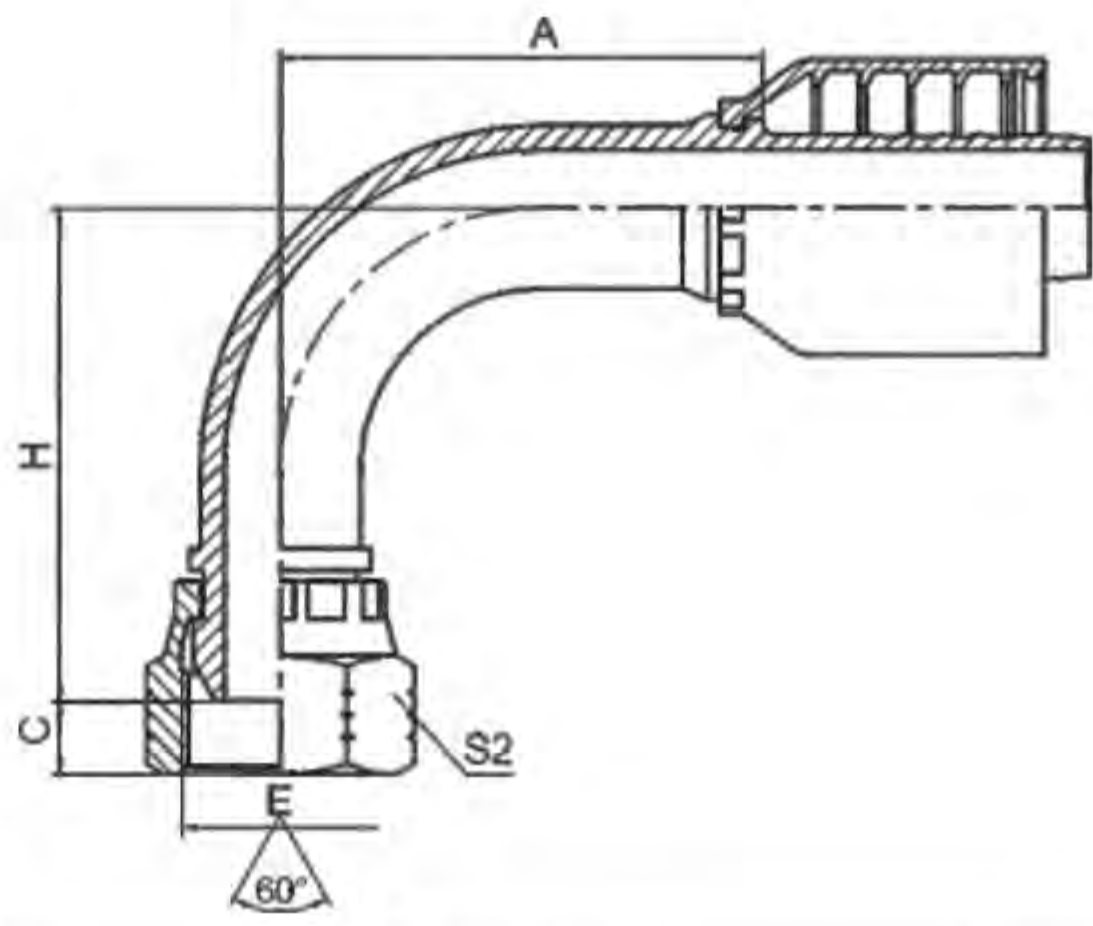
21611-RW/21612-RW
美制NPSM内螺纹60°外锥面
NPSM FEMALE 60°CONE
SAE J514

代号 PART NO.		螺 纹E	胶管HOSE BORE		尺寸 DIMENSIONS			
编织 BRAIDED	缠绕 SPIRAL	THREAD E	公称内径 DN	标号 DASH	A	C	S2	
21611-04-04RW	—	1/4"X18	6	04	19.5	4.6	19	
21611-04-06RW	—	1/4"X18	10	06	19.5	1.6	19	
21611-06-04RW	—	3/8"X18	6	04	20.7	6	22	
21611-06-05RW	—	3/8"X18	8	05	20.7	6	22	
21611-06-06RW	—	3/8"X18	10	06	20.7	6	22	
21611-08-08RW	21612-08-08RW	1/2"X14	12	08	23.5	7.5	27	
21611-12-10RW	21612-12-10RW	3/4"X14	16	10	25	8.9	32	
21611-12-12RW	21612-12-12RW	3/4"X14	20	12	24.5	8.9	32	
21611-16-12TRW	21612-16-12TRW	1"X11.5	20	12	22.3	10.5	41	
21611-16-16RW	21612-16-16RW	1"X11.5	25	16	28.5	10.5	41	
21611-20-20WRW	21612-20-20WRW	1.1/4"X11.5	32	20	34.7	11.2	50	
21611-24-20TRW	21612-24-20TRW	1.1/2"X11.5	32	20	28.2	11.2	55	
21611-24-24WRW	21612-24-24WRW	1.1/2"X11.5	40	24	35.5	11.2	55	
21611-32-32WRW	21612-32-32WRW	2"X11.5	50	32	37.5	11.2	70	



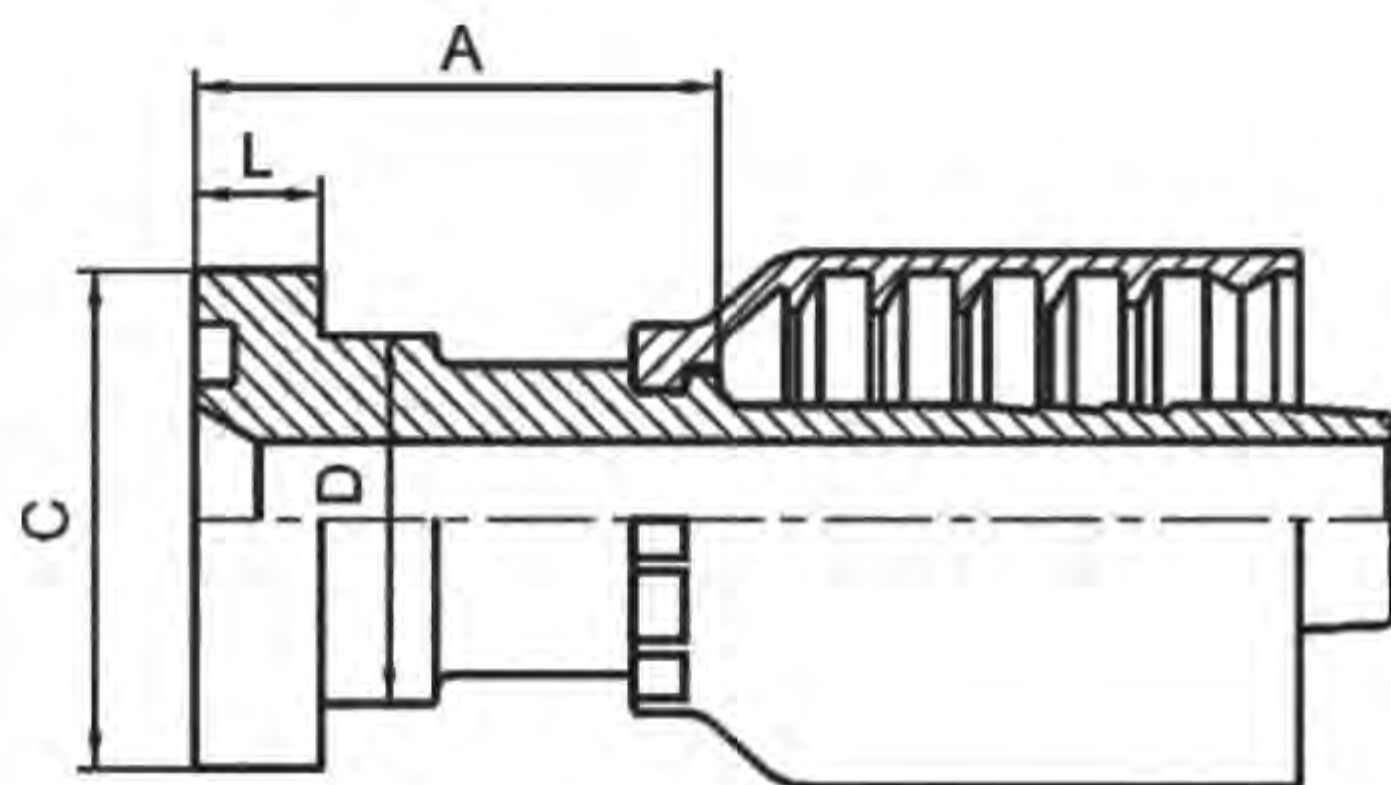
21641-RW/21642-RW
美制NPSM内螺纹60°外锥面
NPSM FEMALE 60°CONE
SAE J514

代号 PART NO.		螺 纹E	胶管HOSE BORE		尺寸 DIMENSIONS			
编织 BRAIDED	缠绕 SPIRAL	THREAD E	公称内径 DN	标号 DASH	A	C	H	S2
21641-04-04RW	—	1/4"X18	6	04	43.8	4.6	20.2	19
21641-04-06RW	—	1/4"X18	10	06	47	1.6	21.8	19
21641-06-04RW	—	3/8"X18	6	04	44.6	6	21	22
21641-06-05RW	—	3/8"X18	8	05	46.7	6	21.9	22
21641-06-06RW	—	3/8"X18	10	06	47.8	6	22.6	22
21641-08-08RW	21642-08-08RW	1/2"X14	12	08	62.5	7.5	26.1	27
21641-12-10RW	21642-12-10RW	3/4"X14	16	10	73.4	8.9	28.1	32
21641-12-12RW	21642-12-12RW	3/4"X14	20	12	76.7	8.9	30.9	32
21641-16-12TRW	21642-16-12TRW	1"X11.5	20	12	75.5	10.5	29.7	41
21641-16-16RW	21642-16-16RW	1"X11.5	25	16	90.2	10.5	33.8	41
21641-20-20WRW	21642-20-20WRW	1.1/4"X11.5	32	20	103.8	11.2	41.9	50
21641-24-20TRW	21642-24-20TRW	1.1/2"X11.5	32	20	99.2	11.2	37.3	55
21641-24-24WRW	21642-24-24WRW	1.1/2"X11.5	40	24	119.2	11.2	46.5	55
21641-32-32WRW	21642-32-32WRW	2"X11.5	50	32	142.5	11.2	52.7	70



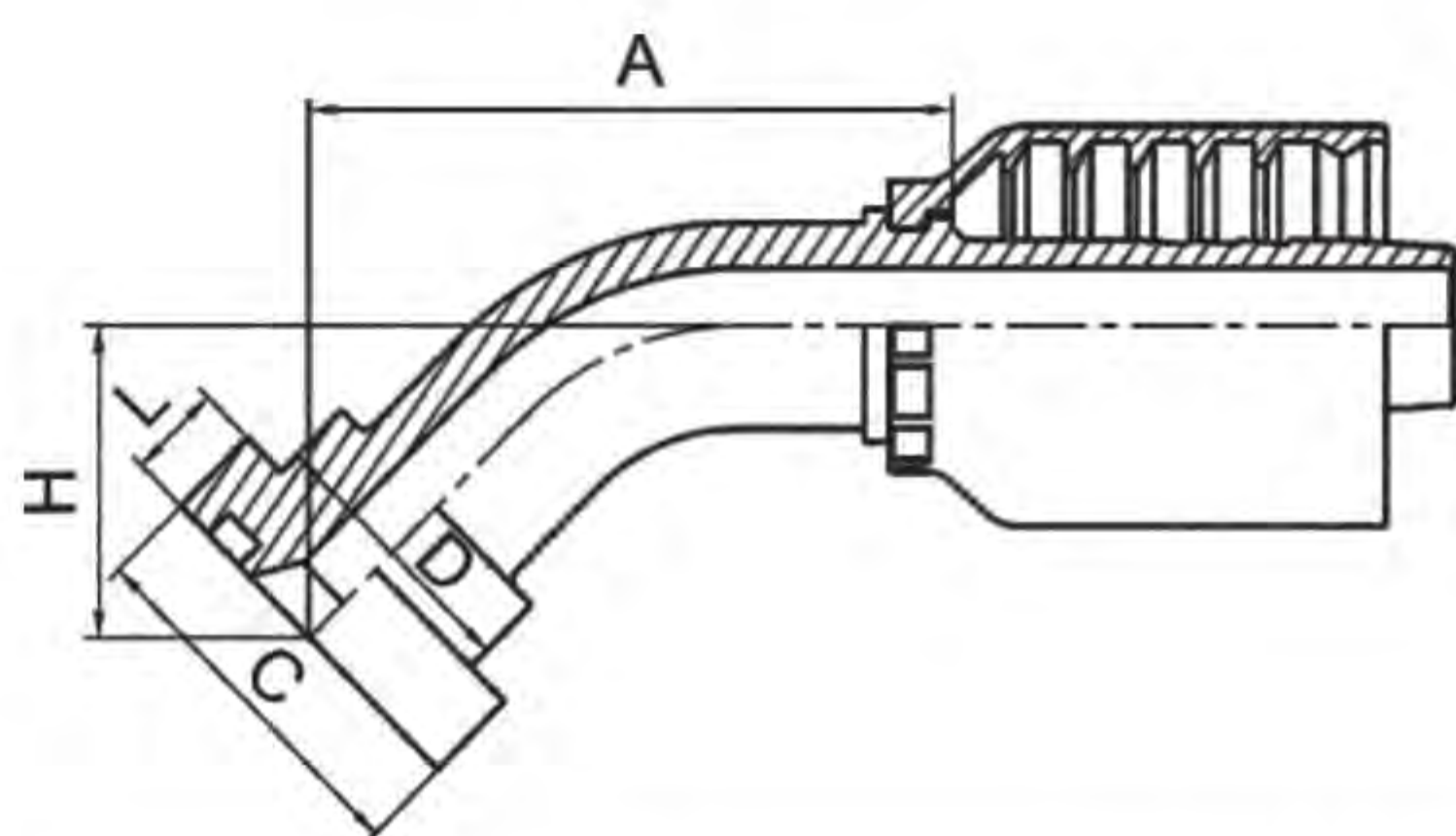
21691-RW/21692-RW
美制NPSM内螺纹60°外锥面
NPSM FEMALE 60° CONE
SAE J514

代号 PART NO.		螺纹E	胶管HOSE BORE		尺寸 DIMENSIONS			
编织 BRAIDED	缠绕 SPIRAL	THREAD E	公称内径 DN	标号 DASH	A	C	H	S2
21691-04-04RW	—	1/4"X18	6	04	31.5	4.6	36.5	19
21691-04-06RW	—	1/4"X18	10	06	36.3	1.6	41.8	19
21691-06-04RW	—	3/8"X18	6	04	31.5	6	37.7	22
21691-06-05RW	—	3/8"X18	8	05	34.5	6	40.7	22
21691-06-06RW	—	3/8"X18	10	06	36.3	6	43	22
21691-08-08RW	21692-08-08RW	1/2"X14	12	08	42.5	7.5	51	27
21691-12-10RW	21692-12-10RW	3/4"X14	16	10	57	8.9	56.5	32
21691-12-12RW	21692-12-12RW	3/4"X14	20	12	63.2	8.9	63	32
21691-16-12TRW	21692-16-12TRW	1"X11.5	20	12	63.2	10.5	61.3	41
21691-16-16RW	21692-16-16RW	1"X11.5	25	16	78.9	10.5	73.3	41
21691-20-20WRW	21692-20-20WRW	1.1/4"X11.5	32	20	92.7	11.2	90	50
21691-24-20TRW	21692-24-20TRW	1.1/2"X11.5	32	20	92.7	11.2	83.5	55
21691-24-24WRW	21692-24-24WRW	1.1/2"X11.5	40	24	111.4	11.2	104.5	55
21691-32-32WRW	21692-32-32WRW	2"X11.5	50	32	138.6	11.2	123.3	70



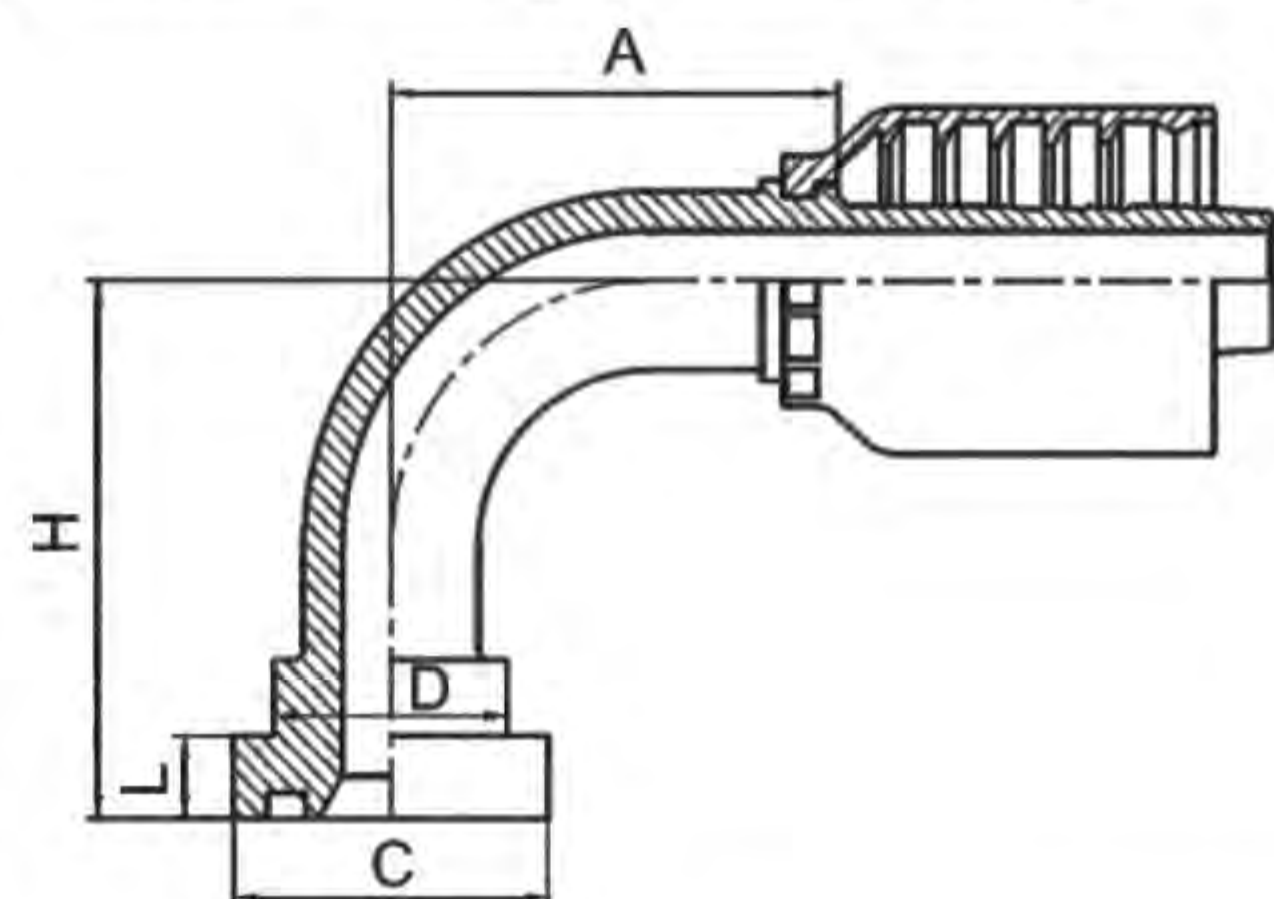
87311-RW/87312-RW
SAE 法兰3000PSI
SAE FLANGE 3000PSI

代号 PART NO.		法兰型号	胶管HOSE BORE		尺寸 DIMENSIONS			
编织 BRAIDED	缠绕 SPIRAL	FLANGE SIZE	公称内径 DN	标号 DASH	A	C	D	L
87311-08-08RW	87312-08-08RW	1/2"	12	08	47.5	30.2	24	6.73
87311-12-08RW	87312-12-08RW	3/4"	12	08	48.5	38.1	31.7	6.73
87311-12-10RW	87312-12-10RW	3/4"	16	10	49	38.1	31.7	6.73
87311-12-12RW	87312-12-12RW	3/4"	20	12	48	38.1	31.7	6.73
87311-12-16RW	87312-12-16RW	3/4"	25	16	51.2	38.1	31.7	6.73
87311-16-12RW	87312-16-12RW	1"	20	12	51	44.4	38	8
87311-16-16RW	87312-16-16RW	1"	25	16	54.2	44.4	38	8
87311-16-20RW	87312-16-20RW	1"	32	20	54.2	44.4	38	8
87311-20-16RW	87312-20-16RW	1.1/4"	25	16	59.2	50.8	43	8
87311-20-20RW	87312-20-20RW	1.1/4"	32	20	59.2	50.8	43	8
87311-24-20RW	87312-24-20RW	1.1/2"	32	20	69.2	60.3	50	8
87311-24-24RW	87312-24-24RW	1.1/2"	40	24	70	60.3	50	8
87311-32-24RW	87312-32-24RW	2"	40	24	72	71.4	62	9.53
87311-32-32RW	87312-32-32RW	2"	50	32	75.5	71.4	62	9.53



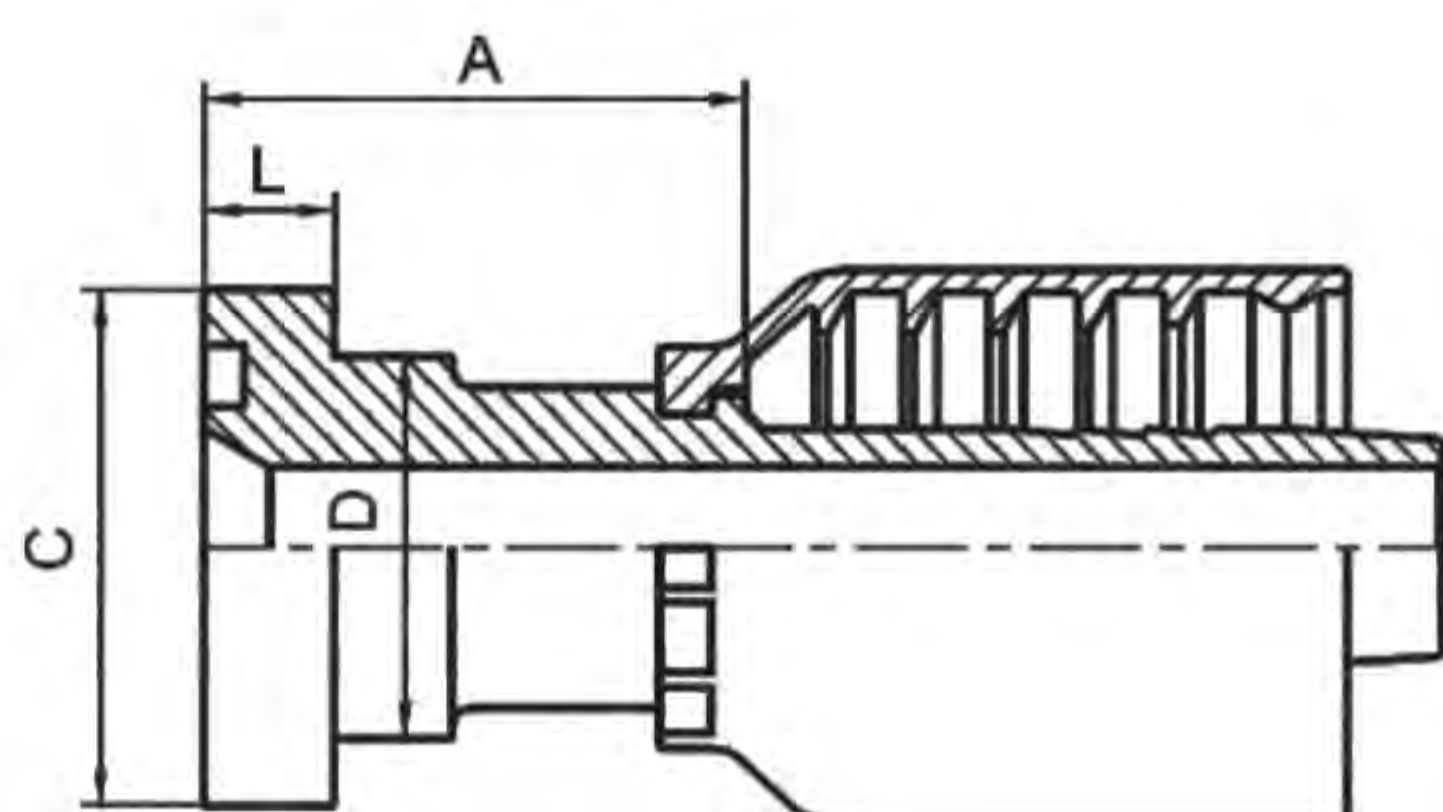
87341-RW/87342-RW
45° SAE 法兰3000PSI
45° SAE FLANGE 3000PSI

代号 PART NO.		法兰型号	胶管HOSE BORE		尺寸 DIMENSIONS				
编织 BRAIDED	缠绕 SPIRAL	FLANGE SIZE	公称内径 DN	标号 DASH	A	C	D	H	L
87341-08-08RW	87342-08-08RW	1/2"	12	08	59.7	30.2	24	23.3	6.73
87341-12-08RW	87342-12-08RW	3/4"	12	08	60.4	38.1	31.7	24	6.73
87341-12-10RW	87342-12-10RW	3/4"	16	10	70.6	38.1	31.7	25.3	6.73
87341-12-12RW	87342-12-12RW	3/4"	20	12	73.9	38.1	31.7	28.1	6.73
87341-12-16RW	87342-12-16RW	3/4"	25	16	86.1	38.1	31.7	29.7	6.73
87341-16-12RW	87342-16-12RW	1"	20	12	73.9	44.4	38	28.1	8
87341-16-16RW	87342-16-16RW	1"	25	16	86.1	44.4	38	29.7	8
87341-16-20RW	87342-16-20RW	1"	32	20	95.7	44.4	38	33.8	8
87341-20-16RW	87342-20-16RW	1.1/4"	25	16	86.1	50.8	43	29.7	8
87341-20-20RW	87342-20-20RW	1.1/4"	32	20	95.7	50.8	43	33.8	8
87341-24-20RW	87342-24-20RW	1.1/2"	32	20	97.1	60.3	50	35.2	8
87341-24-24RW	87342-24-24RW	1.1/2"	40	24	111.8	60.3	50	39.1	8
87341-32-24RW	87342-32-24RW	2"	40	24	111.8	71.4	62	39.1	9.53
87341-32-32RW	87342-32-32RW	2"	50	32	136.1	71.4	62	46.3	9.53



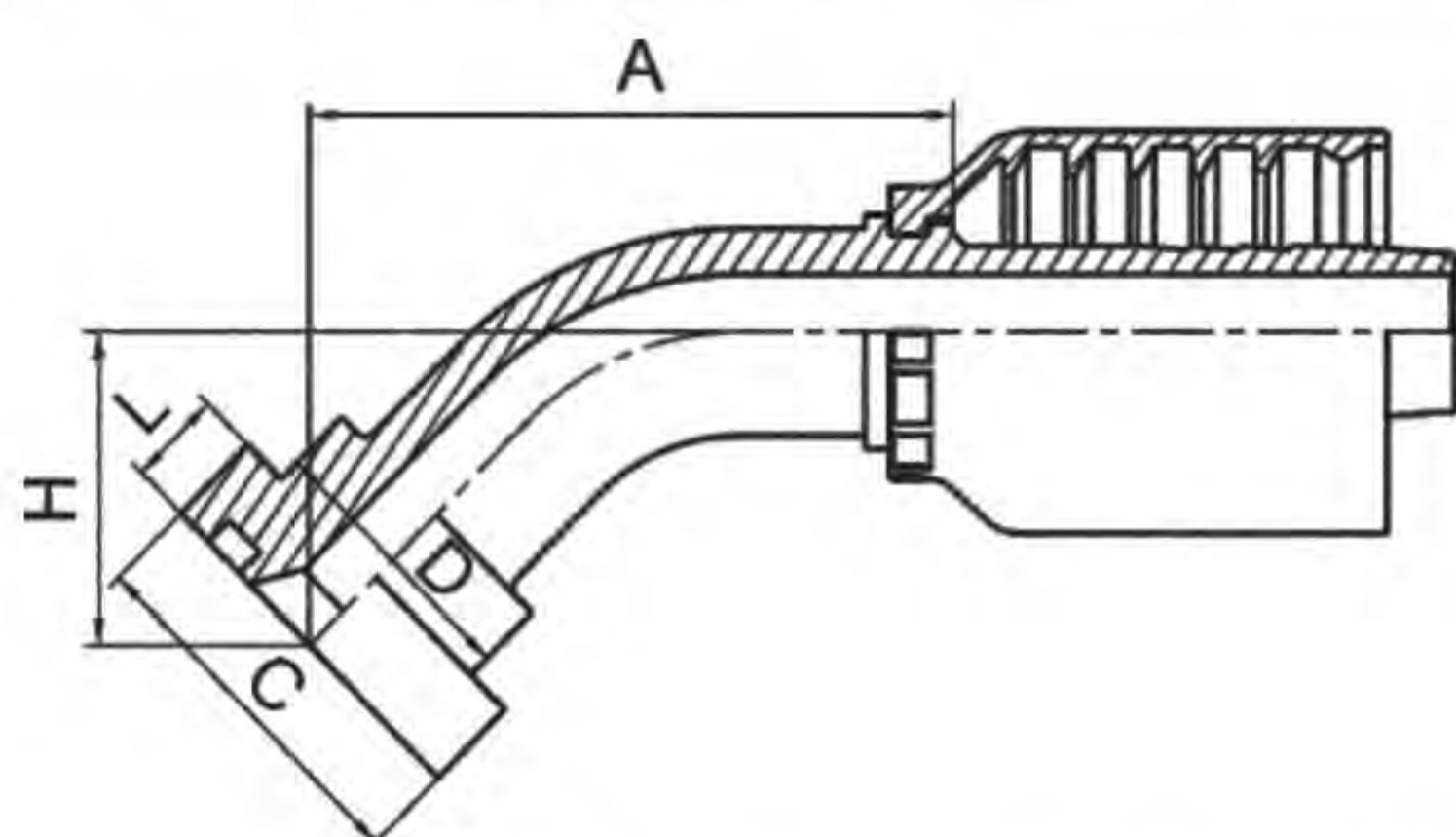
87391-RW/87392-RW
90° SAE 法兰3000PSI
90° SAE FLANGE 3000PSI

代号 PART NO.		法兰型号	胶管HOSE BORE		尺寸 DIMENSIONS				
编织 BRAIDED	缠绕 SPIRAL	FLANGE SIZE	公称内径 DN	标号 DASH	A	C	D	H	L
87391-08-08RW	87392-08-08RW	1/2"	12	08	42.5	30.2	24	47	6.73
87391-12-08RW	87392-12-08RW	3/4"	12	08	42.5	38.1	31.7	48	6.73
87391-12-10RW	87392-12-10RW	3/4"	16	10	57	38.1	31.7	52.5	6.73
87391-12-12RW	87392-12-12RW	3/4"	20	12	63.2	38.1	31.7	59	6.73
87391-12-16RW	87392-12-16RW	3/4"	25	16	78.9	38.1	31.7	67.5	6.73
87391-16-12RW	87392-16-12RW	1"	20	12	63.2	44.4	38	59	8
87391-16-16RW	87392-16-16RW	1"	25	16	78.9	44.4	38	67.5	8
87391-16-20RW	87392-16-20RW	1"	32	20	92.7	44.4	38	78.5	8
87391-20-16RW	87392-20-16RW	1.1/4"	25	16	78.9	50.8	43	67.5	8
87391-20-20RW	87392-20-20RW	1.1/4"	32	20	92.7	50.8	43	78.5	8
87391-24-20RW	87392-24-20RW	1.1/2"	32	20	92.7	60.3	50	80.5	8
87391-24-24RW	87392-24-24RW	1.1/2"	40	24	111.4	60.3	50	94	8
87391-32-24RW	87392-32-24RW	2"	40	24	111.4	71.4	62	94	9.53
87391-32-32RW	87392-32-32RW	2"	50	32	138.6	71.4	62	114.3	9.53



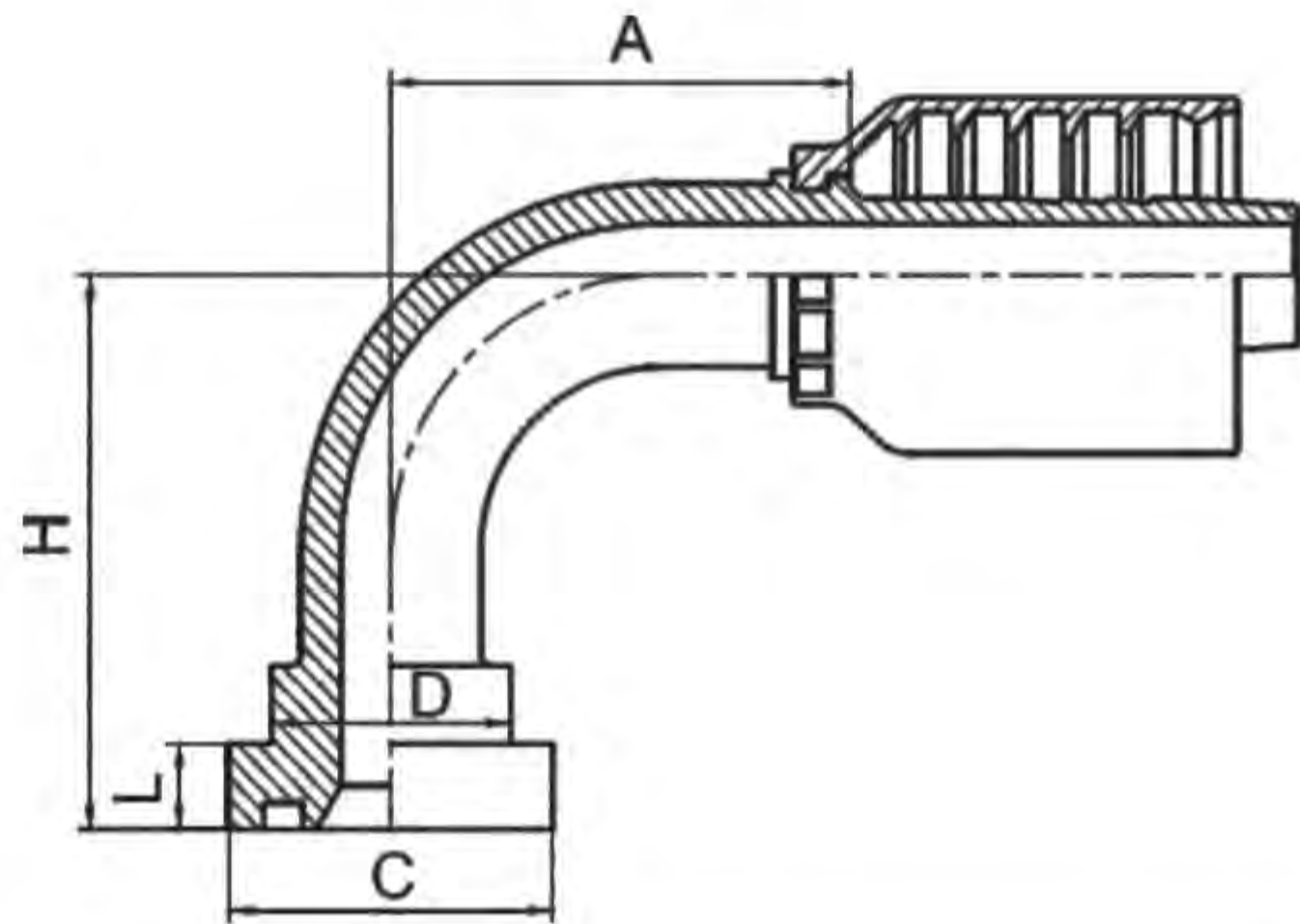
87611-RW/87612-RW
SAE 法兰6000PSI
SAE FLANGE 6000PSI

代号 PART NO.		法兰型号	胶管HOSE BORE		尺寸 DIMENSIONS				
编织 BRAIDED	缠绕 SPIRAL	FLANGE SIZE	公称内径 DN	标号 DASH	A	C	D	L	
87611-08-08RW	87612-08-08RW	1/2"	12	08	48.5	31.7	24	7.75	
87611-12-08RW	87612-12-08RW	3/4"	12	08	51.5	41.3	32	8.76	
87611-12-10RW	87612-12-10RW	3/4"	16	10	52	41.3	32	8.76	
87611-12-12RW	87612-12-12RW	3/4"	20	12	51	41.3	32	8.76	
87611-12-16RW	87612-12-16RW	3/4"	25	16	54.2	41.3	32	8.76	
87611-16-12RW	87612-16-12RW	1"	20	12	56	47.6	38	9.53	
87611-16-16RW	87612-16-16RW	1"	25	16	59.2	47.6	38	9.53	
87611-16-20RW	87612-16-20RW	1"	32	20	59.2	47.6	38	9.53	
87611-20-16RW	87612-20-16RW	1.1/4"	25	16	67.2	54	44	10.29	
87611-20-20RW	87612-20-20RW	1.1/4"	32	20	67.2	54	44	10.29	
87611-24-20RW	87612-24-20RW	1.1/2"	32	20	76.2	63.5	51	12.57	
87611-24-24RW	87612-24-24RW	1.1/2"	40	24	77	63.5	51	12.57	
87611-32-24RW	87612-32-24RW	2"	40	24	88	79.4	67	12.57	
87611-32-32RW	87612-32-32RW	2"	50	32	91.5	79.4	67	12.57	



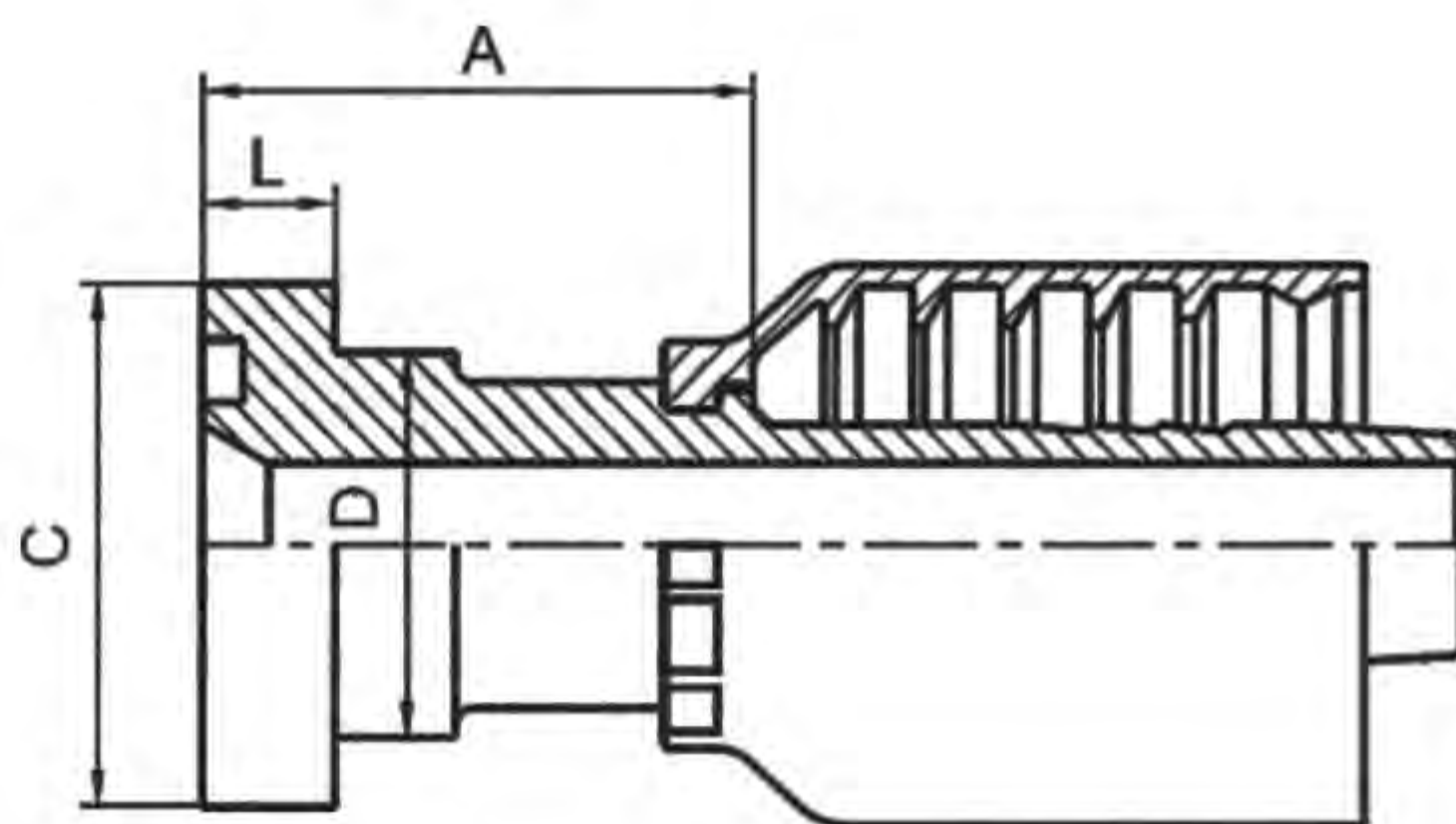
87641-RW/87642-RW
45° SAE 法兰3000PSI
45° SAE FLANGE 3000PSI

代号 PART NO.		法兰型号	胶管HOSE BORE		尺寸 DIMENSIONS				
编织 BRAIDED	缠绕 SPIRAL	FLANGE SIZE	公称内径 DN	标号 DASH	A	C	D	H	L
87641-08-08RW	87642-08-08RW	1/2"	12	08	60.4	31.7	24	24	7.75
87641-12-08RW	87642-12-08RW	3/4"	12	08	63.2	41.3	32	26.8	8.76
87641-12-10RW	87642-12-10RW	3/4"	16	10	73.4	41.3	32	28.1	8.76
87641-12-12RW	87642-12-12RW	3/4"	20	12	76.7	41.3	32	30.9	8.76
87641-12-16RW	87642-12-16RW	3/4"	25	16	88.9	41.3	32	32.5	8.76
87641-16-12RW	87642-16-12RW	1"	20	12	78.8	47.6	38	33	9.53
87641-16-16RW	87642-16-16RW	1"	25	16	91	47.6	38	34.6	9.53
87641-16-20RW	87642-16-20RW	1"	32	20	100.6	47.6	38	38.7	9.53
87641-20-16RW	87642-20-16RW	1.1/4"	25	16	93.9	54	44	37.5	10.29
87641-20-20RW	87642-20-20RW	1.1/4"	32	20	103.5	54	44	41.6	10.29
87641-24-20RW	87642-24-20RW	1.1/2"	32	20	107	63.5	51	45.1	12.57
87641-24-24RW	87642-24-24RW	1.1/2"	40	24	121.7	63.5	51	49	12.57
87641-32-24RW	87642-32-24RW	2"	40	24	127.4	79.4	67	54.7	12.57
87641-32-32RW	87642-32-32RW	2"	50	32	151.7	79.4	67	61.9	12.57



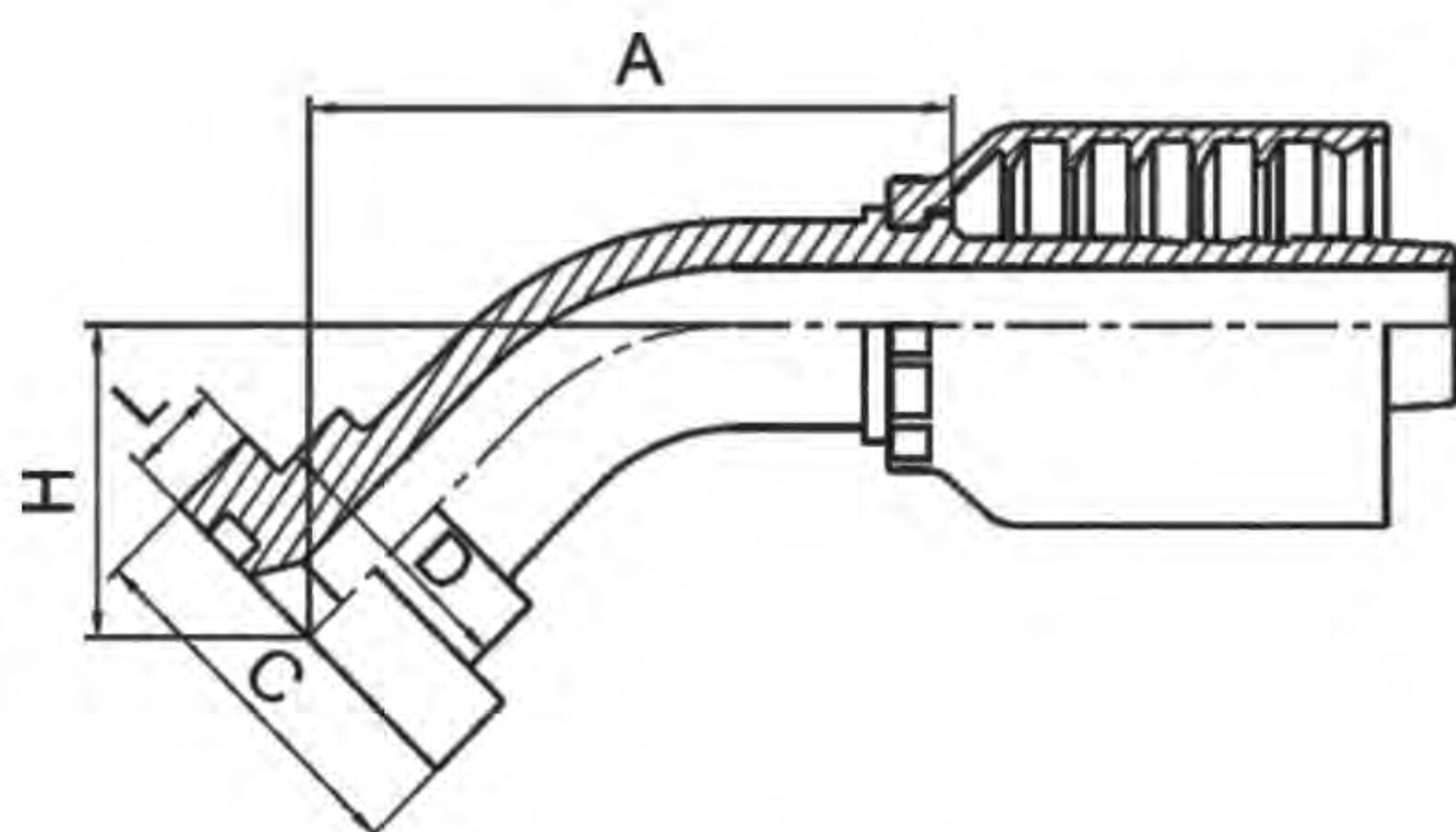
87691-RW/87692-RW
90° SAE 法兰3000PSI
90° SAE FLANGE 3000PSI

代号 PART NO.		法兰型号	胶管HOSE BORE		尺寸 DIMENSIONS				
编织 BRAIDED	缠绕 SPIRAL	FLANGE SIZE	公称内径 DN	标号 DASH	A	C	D	H	L
87691-08-08RW	87692-08-08RW	1/2"	12	08	42.5	30.2	24	48	6.73
87691-12-08RW	87692-12-08RW	3/4"	12	08	42.5	38.1	31.7	52	6.73
87691-12-10RW	87692-12-10RW	3/4"	16	10	57	38.1	31.7	56.5	6.73
87691-12-12RW	87692-12-12RW	3/4"	20	12	63.2	38.1	31.7	63	6.73
87691-12-16RW	87692-12-16RW	3/4"	25	16	78.9	38.1	31.7	71.5	6.73
87691-16-12RW	87692-16-12RW	1"	20	12	63.2	44.4	38	66	8
87691-16-16RW	87692-16-16RW	1"	25	16	78.9	44.4	38	74.5	8
87691-16-20RW	87692-16-20RW	1"	32	20	92.7	44.4	38	85.5	8
87691-20-16RW	87692-20-16RW	1.1/4"	25	16	78.9	50.8	43	78.5	8
87691-20-20RW	87692-20-20RW	1.1/4"	32	20	92.7	50.8	43	89.5	8
87691-24-20RW	87692-24-20RW	1.1/2"	32	20	92.7	60.3	50	94.5	8
87691-24-24RW	87692-24-24RW	1.1/2"	40	24	111.4	60.3	50	108	8
87691-32-24RW	87692-32-24RW	2"	40	24	111.4	71.4	62	116	9.53
87691-32-32RW	87692-32-32RW	2"	50	32	138.6	71.4	62	136.3	9.53



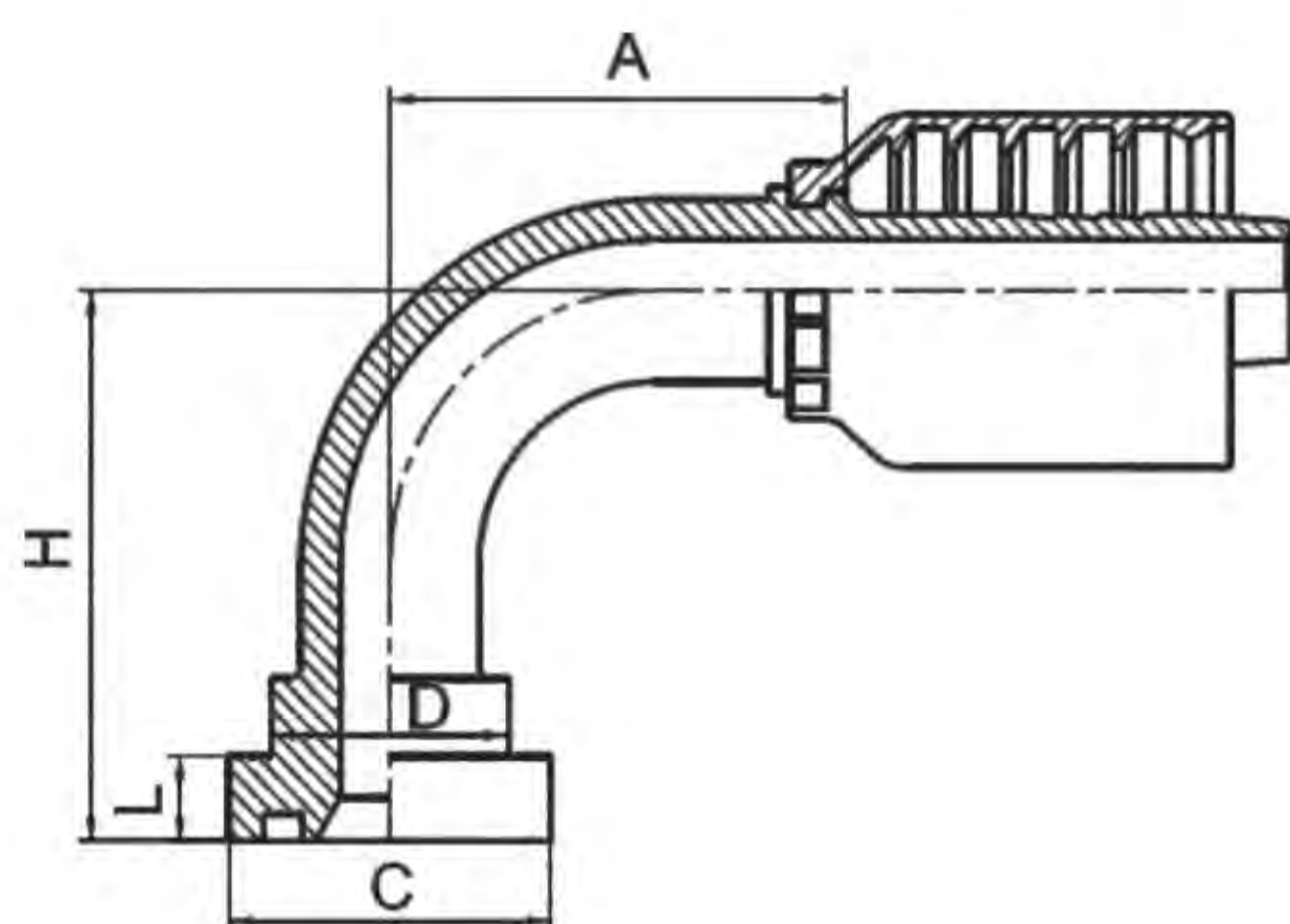
88111-RW/88112-RW
日制法兰
JIS FLANGE

代号 PART NO.		法兰型号	胶管HOSE BORE		尺寸 DIMENSIONS				
编织 BRAIDED	缠绕 SPIRAL	FLANGE SIZE	公称内径 DN	标号 DASH	A	C	D	L	
88111-10-08RW	88112-10-08RW	5/8"	12	08	46.5	34.2	27.8	6.7	
88111-10-10RW	88112-10-10RW	5/8"	16	10	47	34.2	27.8	6.7	
88111-10-12RW	88112-10-12RW	5/8"	20	12	46	34.2	27.8	6.7	



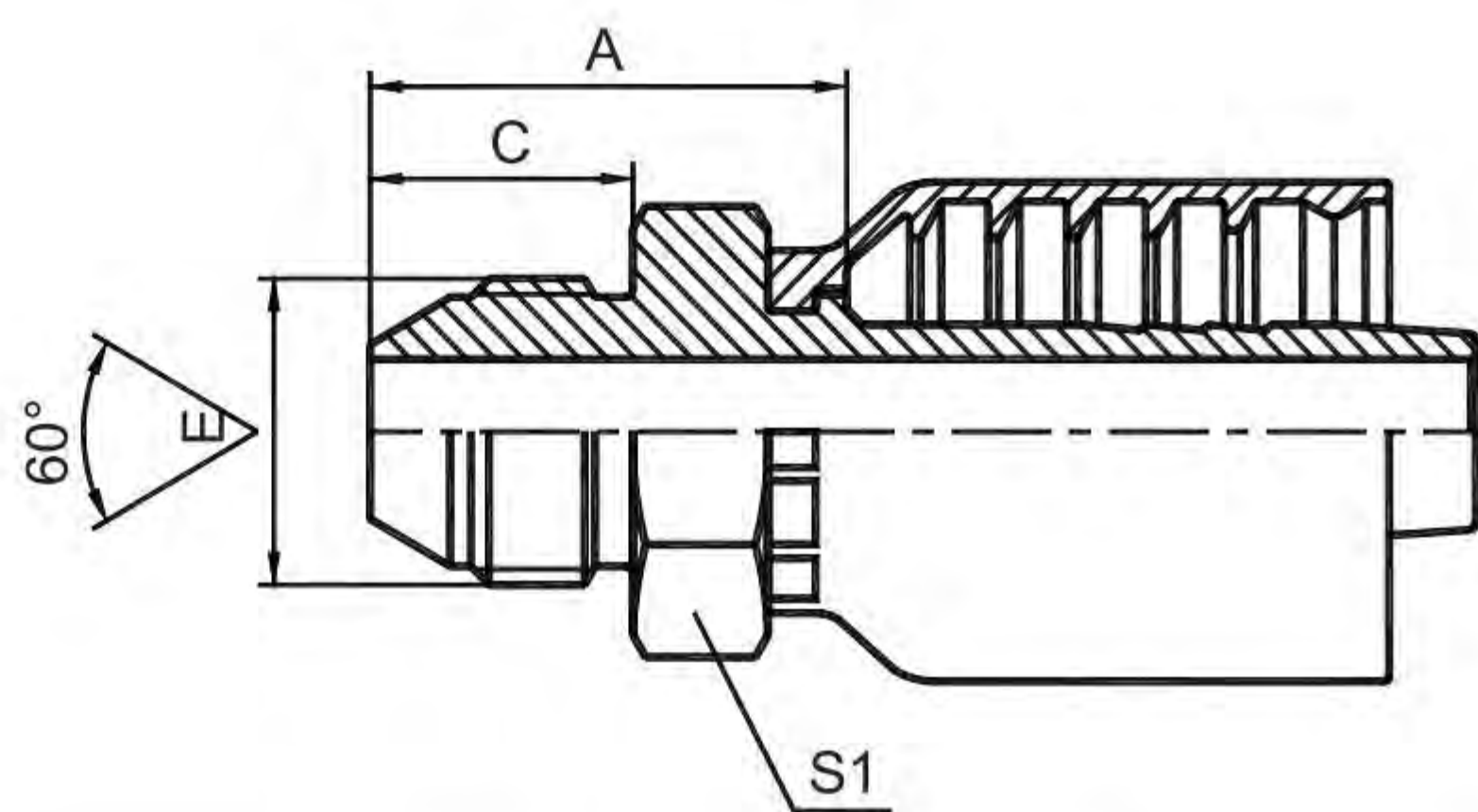
88141-RW/88142-RW
45°日制法兰
45°JIS FLANGE

代号 PART NO.		法兰型号	胶管HOSE BORE		尺寸 DIMENSIONS				
编织 BRAIDED	缠绕 SPIRAL	FLANGE SIZE	公称内径 DN	标号 DASH	A	C	D	H	L
88141-10-08RW	88142-10-08RW	5/8"	12	08	60.4	34.2	27.8	24	6.7
88141-10-10RW	88142-10-10RW	5/8"	16	10	70.6	34.2	27.8	25.3	6.7
88141-10-12RW	88142-10-12RW	5/8"	20	12	73.9	34.2	27.8	28.1	6.7



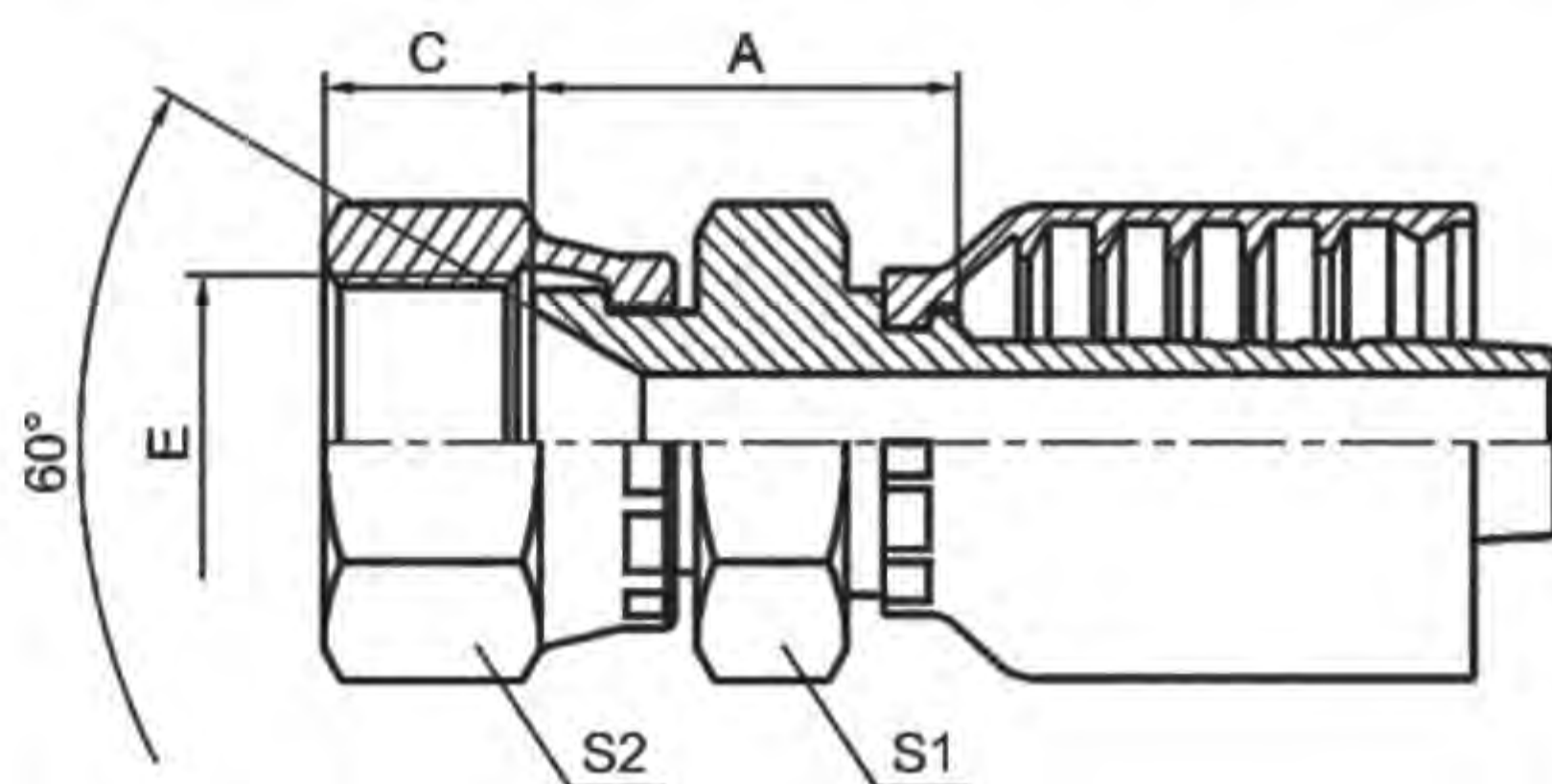
88191-RW/88192-RW
90°日制法兰
90°JIS FLANGE

代号 PART NO.		法兰型号	胶管HOSE BORE		尺寸 DIMENSIONS				
编织 BRAIDED	缠绕 SPIRAL	FLANGE SIZE	公称内径 DN	标号 DASH	A	C	D	H	L
88191-10-08RW	88192-10-08RW	5/8"	12	08	42.5	34.2	27.8	48	6.7
88191-10-10RW	88192-10-10RW	5/8"	16	10	57	34.2	27.8	52.5	6.7
88191-10-12RW	88192-10-12RW	5/8"	20	12	63.2	34.2	27.8	59	6.7



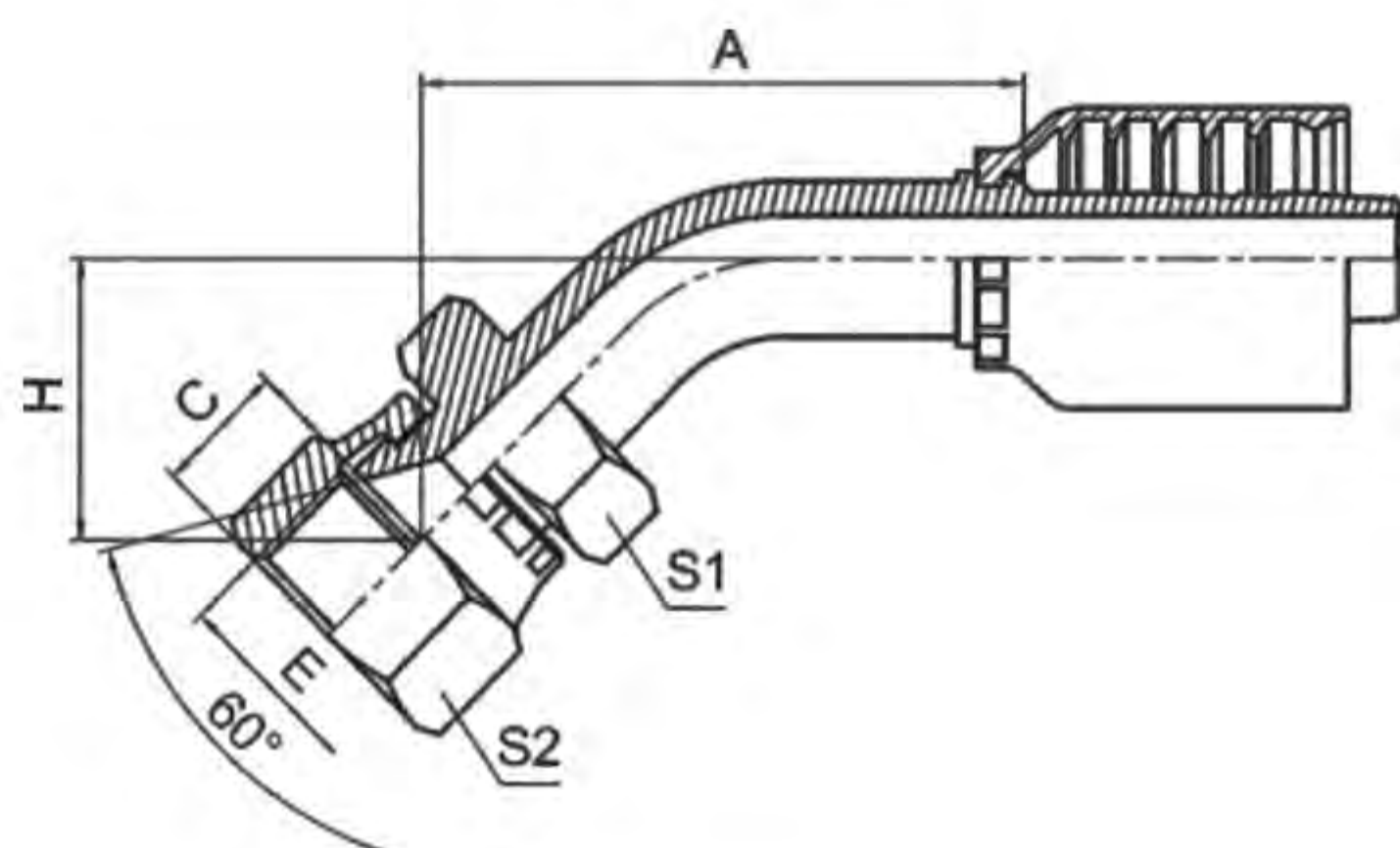
18611-RW/18612-RW
日本公制外螺纹60°外锥面
JIS METRIC MALE 60° CONE SEAT

代号 PART NO.		螺纹 E	胶管 HOSE BORE		尺寸 DIMENSIONS			
编织 BRAIDED	缠绕 SPIRAL	THREAD E	公称内径 DN	标号 DASH	A	C	S2	
18611-14-04RW	—	M14X1.5	6	04	29	17	17	
18611-14-06RW	—	M14X1.5	10	06	28.5	17	17	
18611-16-04RW	—	M16X1.5	6	04	30	18	17	
18611-16-06RW	—	M16X1.5	10	06	29.5	18	17	
18611-18-06RW	—	M18X1.5	10	06	29.5	18	19	
18611-20-08RW	18612-20-08RW	M20X1.5	12	08	34.5	20	22	
18611-22-08RW	18612-22-08RW	M22X1.5	12	08	34.5	20	24	
18611-24-10RW	18612-24-10RW	M24X1.5	16	10	38.5	21.5	27	
18611-30-12RW	18612-30-12RW	M30X1.5	20	12	43	26	32	
18611-33-16RW	18612-33-16RW	M33X1.5	25	16	50.2	30	36	
18611-36-20RW	18612-36-20RW	M36X1.5	32	20	53.2	33	38	
18611-42-24RW	18612-42-24RW	M42X1.5	40	24	59	36	46	



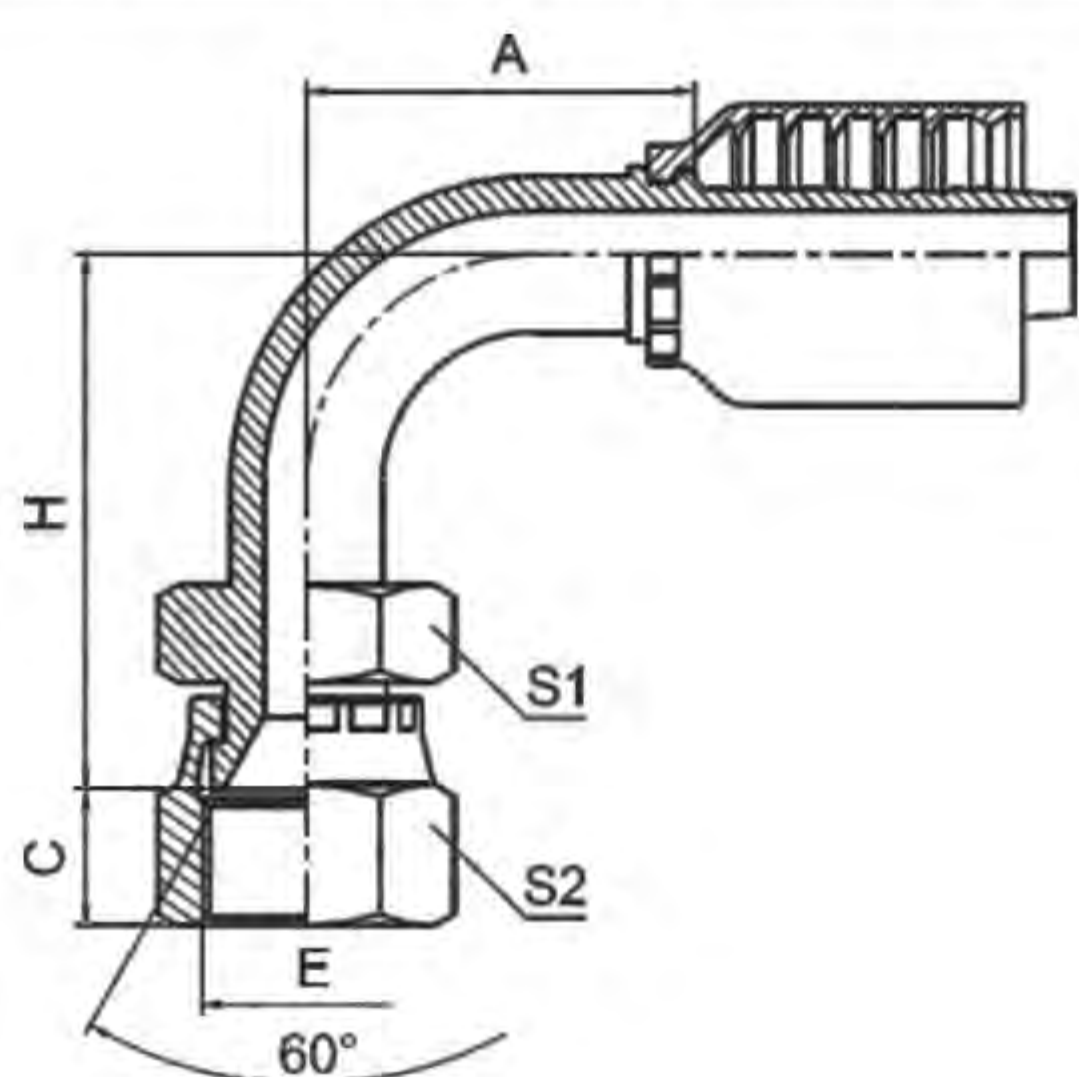
28611-RW/28612-RW
日本公制内螺纹60°内锥面
JIS METRIC FEMALE 60° CONE SEAT

代号 PART NO.		螺纹 E	胶管 HOSE BORE		尺寸 DIMENSIONS			
编织 BRAIDED	缠绕 SPIRAL	THREAD E	公称内径 DN	标号 DASH	A	C	S1	S2
28611-14-04RW	—	M14X1.5	6	04	20.5	10.5	19	19
28611-14-06RW	—	M14X1.5	10	06	20	10.5	19	19
28611-16-04RW	—	M16X1.5	6	04	23.5	10	22	22
28611-16-05RW	—	M16X1.5	8	05	23.5	10	22	22
28611-16-06RW	—	M16X1.5	10	06	23	10	22	22
28611-18-06RW	—	M18X1.5	10	06	24	11.5	24	24
28611-18-08RW	28612-18-08RW	M18X1.5	12	08	25	11.5	24	24
28611-20-08RW	28612-20-08RW	M20X1.5	12	08	27.5	12	27	27
28611-22-08RW	28612-22-08RW	M22X1.5	12	08	27.5	14	27	27
28611-24-08RW	28612-24-08RW	M24X1.5	12	08	29	15	32	32
28611-24-10RW	28612-24-10RW	M24X1.5	16	10	29.5	15	32	32
28611-30-12RW	28612-30-12RW	M30X1.5	20	12	29.5	18.3	36	36
28611-33-12RW	28612-33-12RW	M33X1.5	20	12	31.5	21.3	41	41
28611-33-16RW	28612-33-16RW	M33X1.5	25	16	34.7	21.3	41	41
28611-36-20RW	28612-36-20RW	M36X1.5	32	20	34.7	20	46	46
28611-42-24WRW	28612-42-24WRW	M42X1.5	40	24	42	18.8	55	55



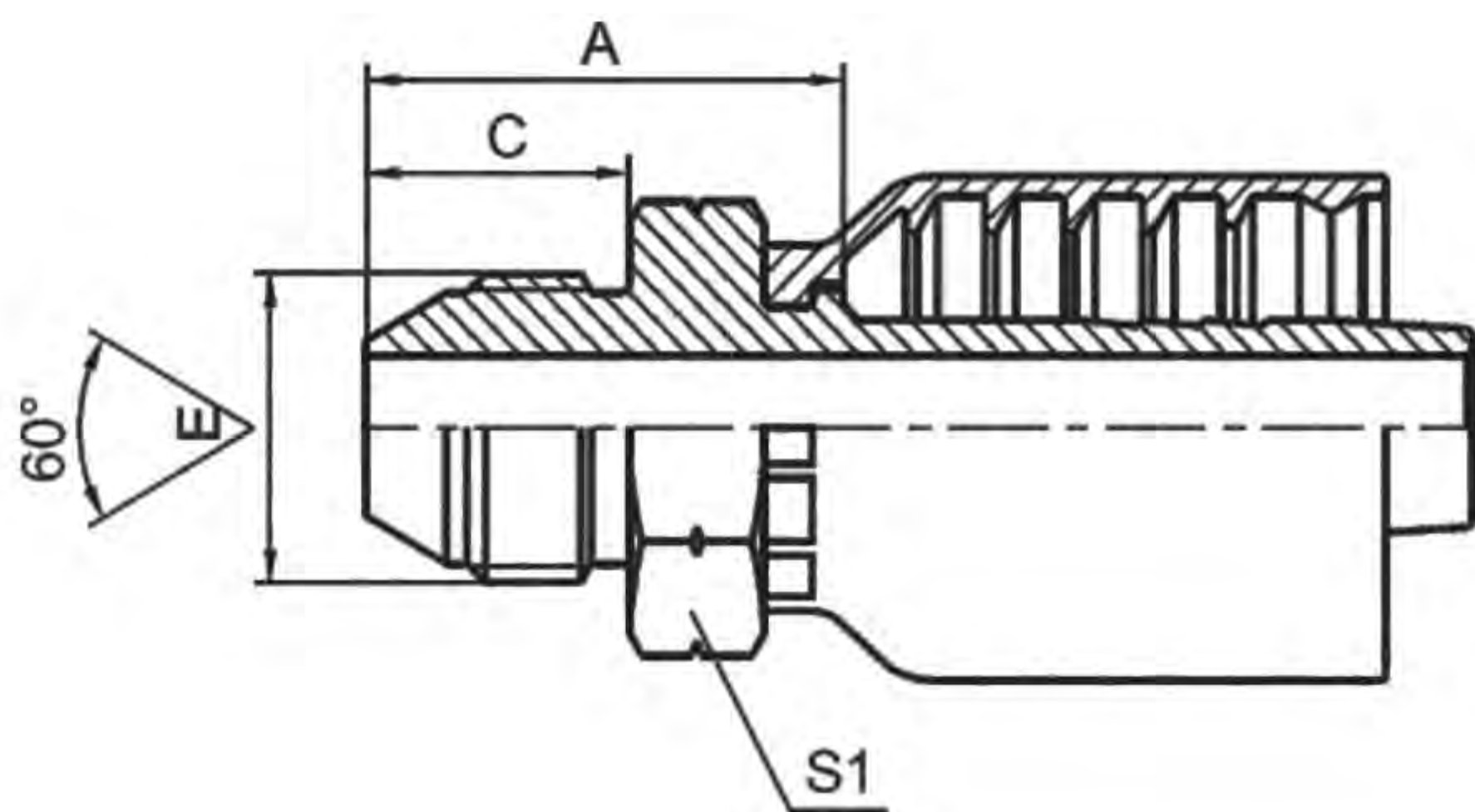
28641-RW/28642-RW
45°日本公制内螺纹60°内锥面
45° JIS METRIC FEMALE 60°CONE SEAT

代号 PART NO.		螺 纹E	胶管HOSE BORE		尺 寸 DIMENSIONS				
编织 BRAIDED	缠绕 SPIRAL	THREAD E	公称内径 DN	标号 DASH	A	C	H	S1	S2
28641-14-04RW	—	M14X1.5	6	04	44.9	10.5	21.3	19	19
28641-16-05RW	—	M16X1.5	8	05	49.1	10	24.3	22	22
28641-18-06RW	—	M18X1.5	10	06	50.9	11.5	25.7	24	24
28641-20-08RW	28642-20-08RW	M20X1.5	12	08	63.9	12	27.5	27	27
28641-22-08RW	28642-22-08RW	M22X1.5	12	08	63.9	14	27.5	27	27
28641-24-10RW	28642-24-10RW	M24X1.5	16	10	75.9	15	30.6	32	32
28641-30-12RW	28642-30-12RW	M30X1.5	20	12	79.9	18.3	34.1	36	36
28641-33-16RW	28642-33-16RW	M33X1.5	25	16	92.1	21.3	35.7	41	41
28641-36-20RW	28642-36-20RW	M36X1.5	32	20	103.8	20	41.9	46	46
28641-42-24WRW	28642-42-24WRW	M42X1.5	40	24	122.4	18.8	49.7	55	55



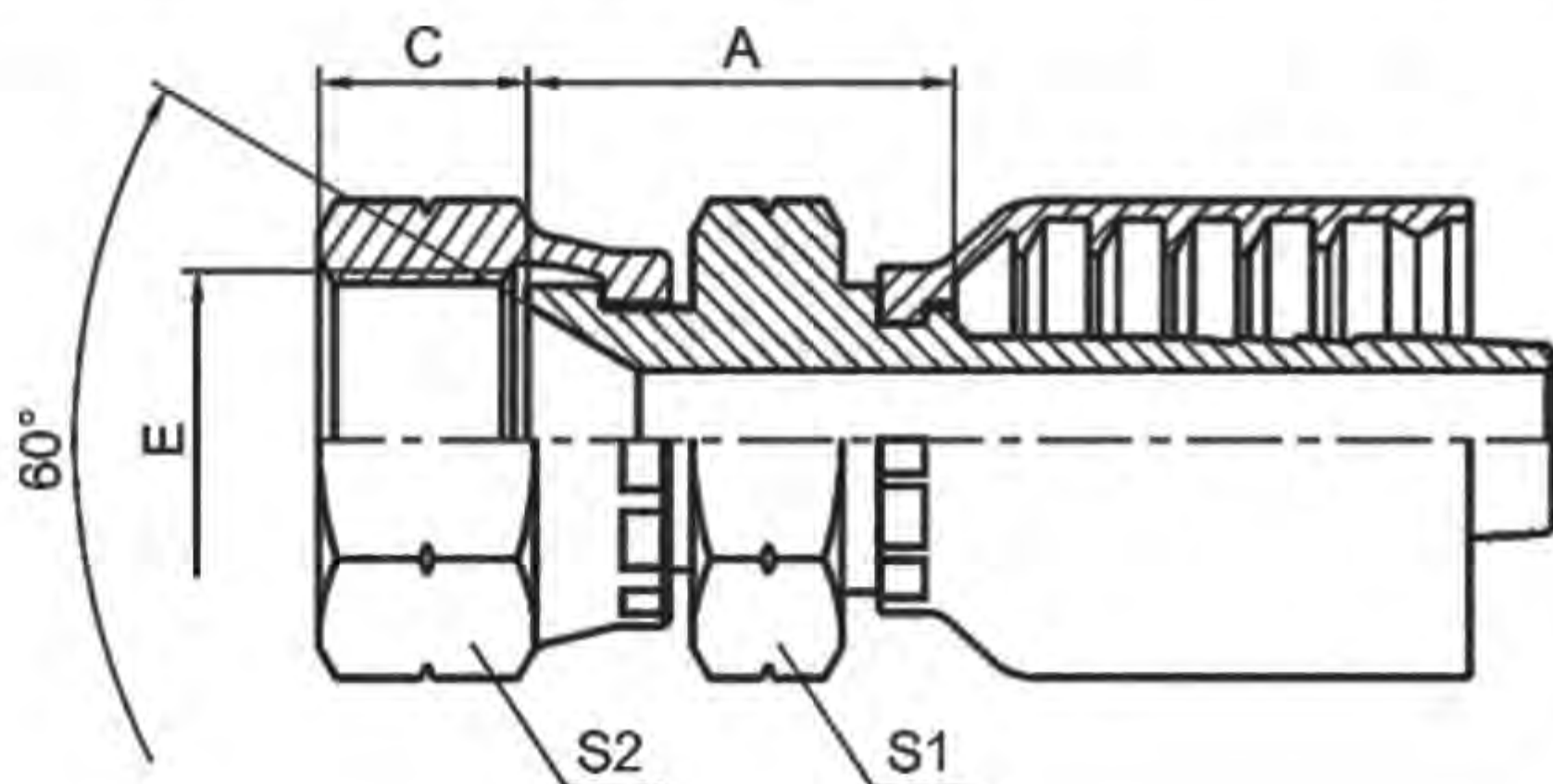
28691-RW/28692-RW
90°日本公制内螺纹60°内锥面
90° JIS METRIC FEMALE 60°CONE SEAT

代号 PART NO.		螺 纹E	胶管HOSE BORE		尺 寸 DIMENSIONS				
编织 BRAIDED	缠绕 SPIRAL	THREAD E	公称内径 DN	标号 DASH	A	C	H	S1	S2
28691-14-04RW	—	M14X1.5	6	04	31.5	10.5	38	19	19
28691-16-05RW	—	M16X1.5	8	05	34.5	10	44	22	22
28691-18-06RW	—	M18X1.5	10	06	36.3	11.5	47.3	24	24
28691-20-08RW	28692-20-08RW	M20X1.5	12	08	42.5	12	53	27	27
28691-22-08RW	28692-22-08RW	M22X1.5	12	08	42.5	14	53	27	27
28691-24-10RW	28692-24-10RW	M24X1.5	16	10	57	15	60	32	32
28691-30-12RW	28692-30-12RW	M30X1.5	20	12	63.2	18.3	67.5	36	36
28691-33-16RW	28692-33-16RW	M33X1.5	25	16	78.9	21.3	76	41	41
28691-36-20RW	28692-36-20RW	M36X1.5	32	20	92.7	20	90	46	46
28691-42-24WRW	28692-42-24WRW	M42X1.5	40	24	111.4	18.8	109	55	55



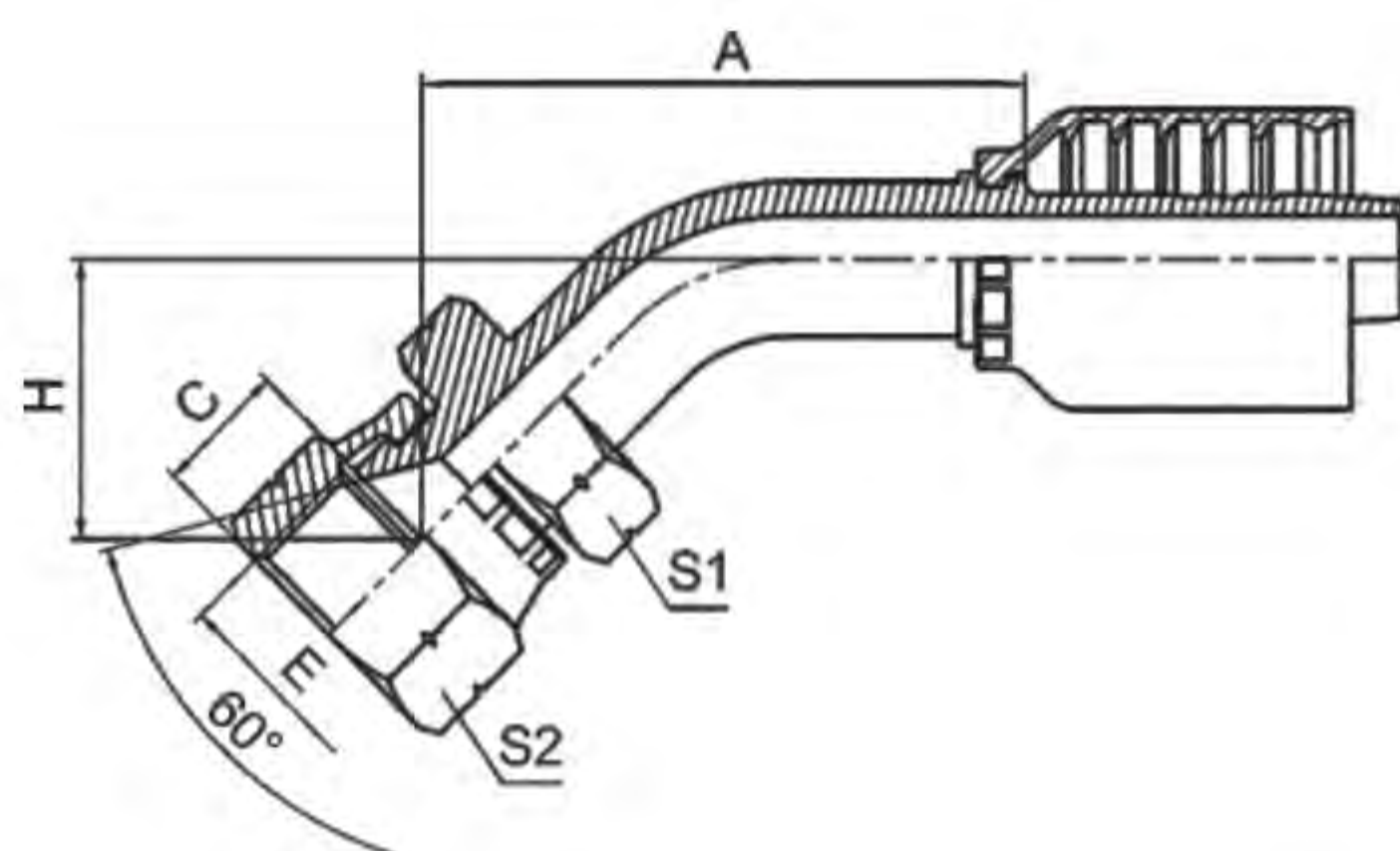
19611-RW/19612-RW
日本英制外螺纹60° 外锥面
JIS BSPP MALE 60° CONE SEAT

代号 PART NO.		螺纹E	胶管HOSE BORE		尺寸 DIMENSIONS			
编织 BRAIDED	缠绕 SPIRAL	THREADE	公称内径 DN	标号 DASH	A	C	S2	
19611-04-04RW	—	G1/4"X19	6	04	28	16	17	
19611-06-06RW	—	G3/8"X19	10	06	29.5	18	19	
19611-08-08RW	19611-08-08RW	G1/2"X14	12	08	34.5	20	22	
19611-12-12RW	19611-12-12RW	G3/4"X14	20	12	38	22	30	
19611-16-16RW	19611-16-16RW	G1"X11	25	16	44.2	24	36	



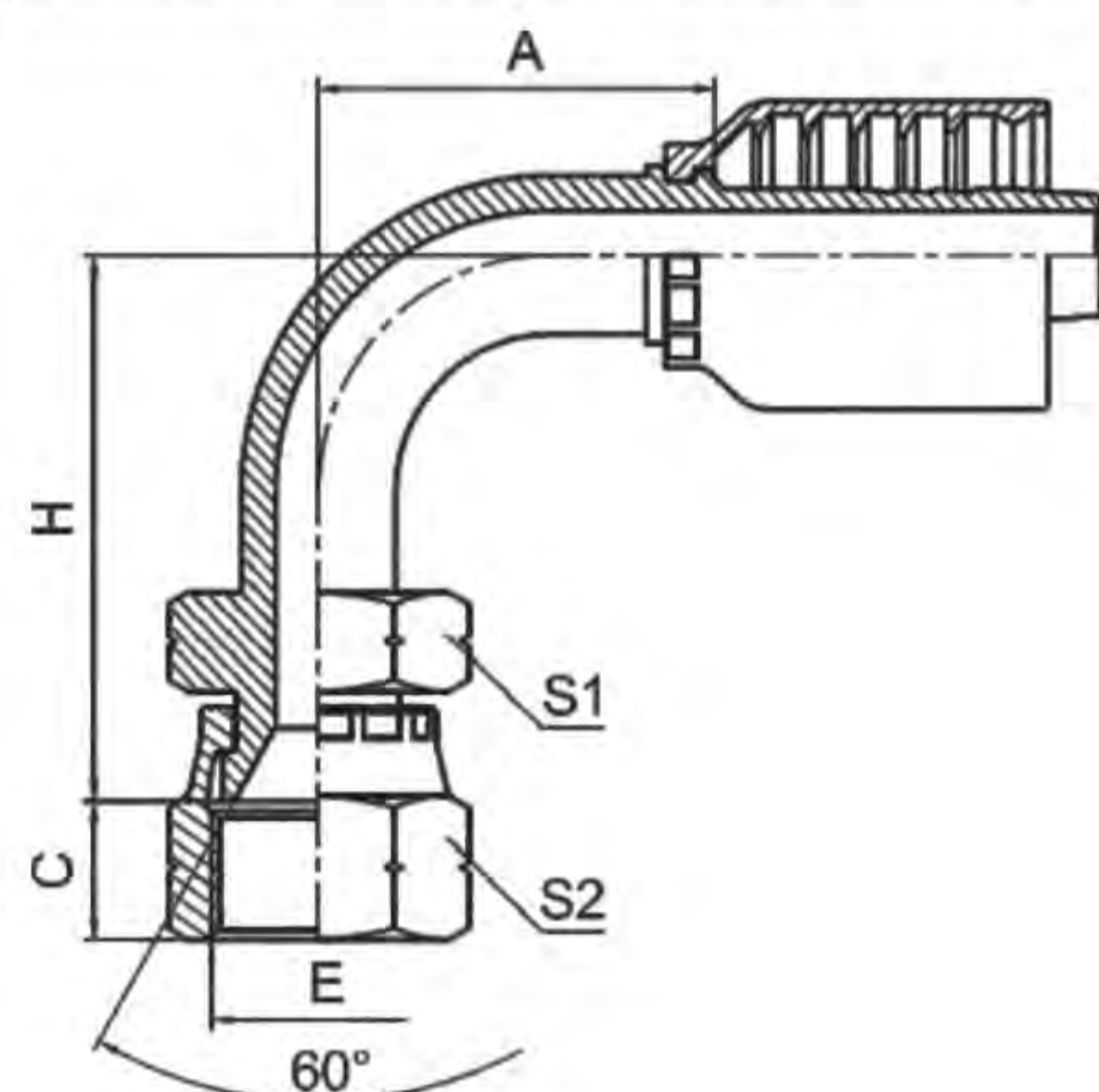
29611-RW/29612-RW
日本英制内螺纹60°内锥面
JIS GAS FEMALE 60° CONE SEAT
JIS B8363

代号 PART NO.		螺纹E	胶管HOSE BORE		尺寸 DIMENSIONS			
编织 BRAIDED	缠绕 SPIRAL	THREADE	公称内径 DN	标号 DASH	A	C	S1	S2
29611-04-04RW	—	G1/4"X19	6	04	20.5	8	19	19
29611-04-05RW	—	G1/4"X19	8	05	20.5	8	19	19
29611-06-04RW	—	G3/8"X19	6	04	23.5	9	22	22
29611-06-06RW	—	G3/8"X19	10	06	23	9	22	22
29611-08-06RW	—	G1/2"X14	10	06	24.5	12	27	27
29611-08-08RW	29612-08-08RW	G1/2"X14	12	08	25.5	12	27	27
29611-10-10RW	29612-10-10RW	G5/8"X14	16	10	29.5	11.5	30	30
29611-12-10RW	29612-12-10RW	G3/4"X14	16	10	29.5	13.5	32	32
29611-12-12RW	29612-12-12RW	G3/4"X14	20	12	28.5	13.5	32	32
29611-16-16RW	29612-16-16RW	G1"X11	25	16	33.2	16	41	41
29611-20-20WRW	29612-20-20WRW	G1.1/4"X11	32	20	39.2	18.5	50	50
29611-24-24WRW	29612-24-24WRW	G1.1/2"X11	40	24	41.5	19	55	55
29611-32-32WRW	29612-32-32WRW	G2"X11	50	32	49	23	70	70



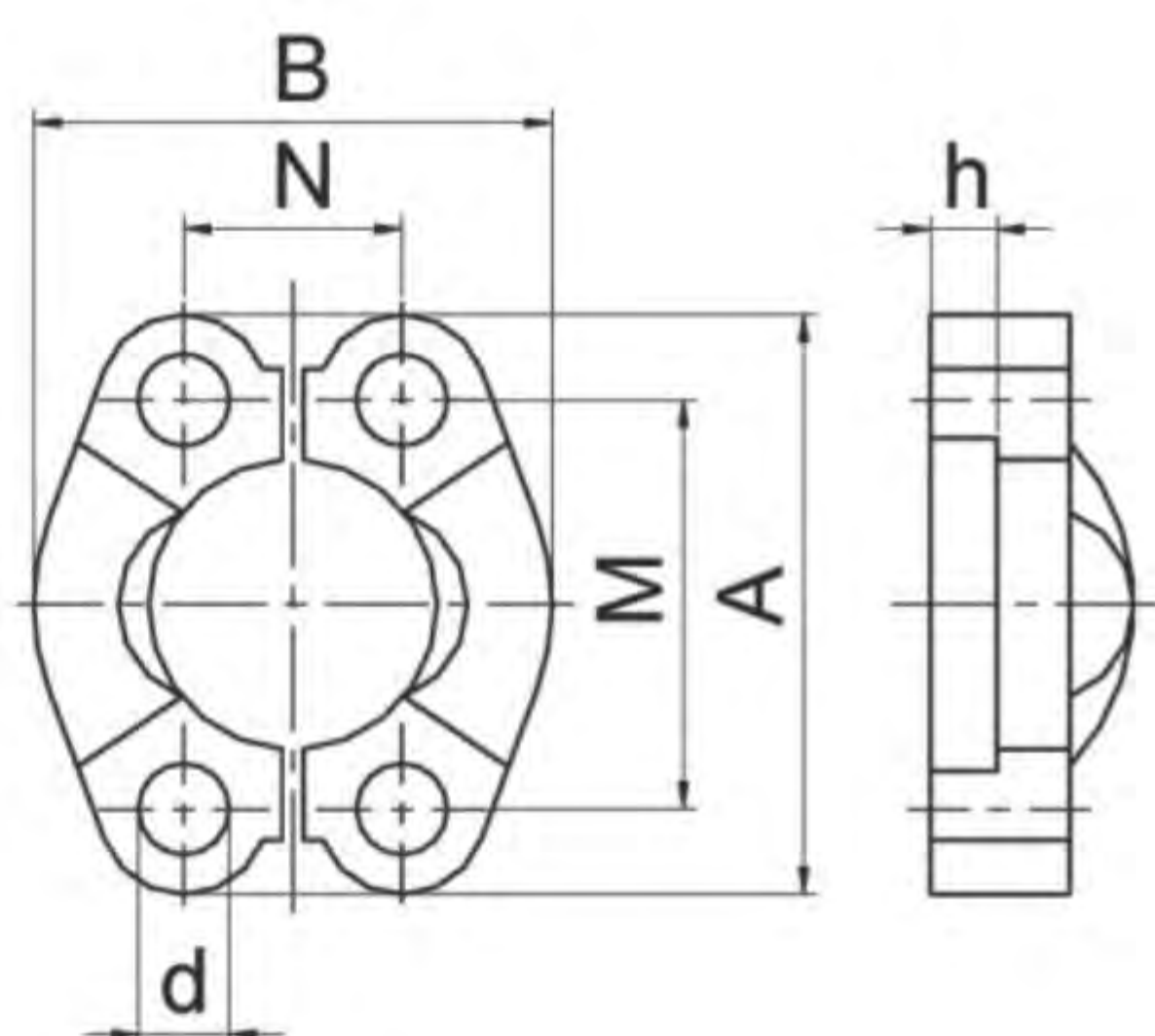
29641-RW/29642-RW
45°日本英制内螺纹60°内锥面
45°JIS GAS FEMALE 60°CONE SEAT
JIS B8363

代号 PART NO.		螺纹E	胶管HOSE BORE		尺寸 DIMENSIONS				
编织 BRAIDED	缠绕 SPIRAL	THREAD E	公称内径 DN	标号 DASH	A	C	H	S1	S2
29641-04-04RW	—	G1/4"X19	6	04	44.9	8	21.3	19	19
29641-06-06RW	—	G3/8"X19	10	06	50.2	9	25	22	22
29641-08-08RW	29642-08-08RW	G1/2"X14	12	08	63.9	12	27.5	27	27
29641-10-10RW	29642-10-10RW	G5/8"X14	16	10	76.6	11.5	31.3	30	30
29641-12-12RW	29642-12-12RW	G3/4"X14	20	12	79.9	13.5	34.1	32	32
29641-16-16RW	29642-16-16RW	G1"X11	25	16	93.2	16	36.8	41	41
29641-20-20WRW	29642-20-20WRW	G1.1/4"X11	32	20	107	18.5	45.1	50	50
29641-24-24WRW	29642-24-24WRW	G1.1/2"X11	40	24	122.8	19	50.1	55	55
29641-32-32WRW	29642-32-32WRW	G2"X11	50	32	149.9	23	60.1	70	70



29691-RW/29692-RW
90°日本英制内螺纹60°内锥面
90°JIS GAS FEMALE 60°CONE SEAT
JIS B8363

代号 PART NO.		螺纹E	胶管HOSE BORE		尺寸 DIMENSIONS				
编织 BRAIDED	缠绕 SPIRAL	THREAD E	公称内径 DN	标号 DASH	A	C	H	S1	S2
29691-04-04RW	—	G1/4"X19	6	04	31.5	8	38	19	19
29691-04-05RW	—	G1/4"X19	8	05	34.5	8	41	19	19
29691-06-06RW	—	G3/8"X19	10	06	36.3	9	46.3	22	22
29691-08-08RW	29692-08-08RW	G1/2"X14	12	08	42.5	12	53	27	27
29691-10-10RW	29692-10-10RW	G5/8"X14	16	10	57	11.5	61	30	30
29691-12-12RW	29692-12-12RW	G3/4"X14	20	12	63.2	13.5	67.5	32	32
29691-16-16RW	29692-16-16RW	G1"X11	25	16	78.9	16	77.5	41	41
29691-20-20WRW	29692-20-20WRW	G1.1/4"X11	32	20	92.7	18.5	94.5	50	50
29691-24-24WRW	29692-24-24WRW	G1.1/2"X11	40	24	111.4	19	109.5	55	55
29691-32-32WRW	29692-32-32WRW	G2"X11	50	32	138.6	23	133.8	70	70



FL
FS

SAE 对开法兰夹
SAE SPLIT FLANGE CLAMP

代号 PART NO.	法兰型号 FLANGE SIZE	尺寸 DIMENSIONS							配用 螺栓	压力等级 MPa
		A	B	d	h	M	N			
3000PSI										
FL-08	1/2"	54	45.6	9	6.2	38.1	17.5	M8X25	34.5	
FL-12	3/4"	65	51.8	11	6.2	47.6	22.2	M10X30		
FL-16	1"	70	58.4	11	7.5	52.4	26.2	M10X30		
FL-20	1.1/4"	79	72.6	11	7.5	58.7	30.2	M10X30	27.6	
FL-24	1.1/2"	94	82.2	13.5	7.5	69.9	35.7	M12X35	20.7	
FL-32	2"	102	96.4	13.5	9	77.8	42.9	M12X35		
FL-40	2.1/2"	114	108.2	13.5	9	88.9	50.8	M12X40	17.2	
FL-48	3"	135	130.6	17.5	9	106.4	61.9	M16X50	13.8	
6000PSI										
FS-08	1/2"	56	47.2	9	7.2	40.5	18.2	M8X30	42	
FS-12	3/4"	71	60	11	8.2	50.8	23.8	M10X35		
FS-16	1"	81	69.6	13.5	9	57.2	27.8	M12X45		
FS-20	1.1/4"	95	77.2	13.5	9.8	66.6	31.8	M12X45		
FS-24	1.1/2"	113	95	17.5	12	79.3	36.5	M16X55		
FS-32	2"	133	113.8	22	12	96.8	44.5	M20X70		

材料为 35、45 锻件

各办事处联系方式

无锡办事处	刘经理	13914289701	江苏、上海
广州办事处	赵经理	15939530980	广东、广西
沈阳办事处	赵经理	15939515251	辽宁、吉林
西安/太原办事处	赵经理	15239569997	陕西、甘肃、宁夏、青海、山西
昆明/贵阳办事处	赵经理	13733972559	云南、贵州
成都办事处	黄经理	13550226180	四川
长沙办事处	王经理	13278847400	湖南
重庆办事处	魏经理	13983875767	重庆
景县办事处	王经理	15512662135	景县
武汉办事处	赵经理	13949867200	湖北、安徽
福州办事处	赵经理	13609551322	福建
济南办事处	赵经理	15239509982	山东
浙江办事处	彭经理	18072851181	浙江
石家庄办事处	王经理	13230169693	河北、内蒙古、北京、天津
新疆办事处	陈经理	13565985071	新疆
河南办事处	刘经理	13903954732	河南
哈尔滨办事处	赵经理	13633617372	哈尔滨

国际贸易部
International Sales Dept.
Tel:0395-2610006 2610003
Fax:0395-2610007
E-mail:sales@letone.cn

德国分公司
Letone Europe GmbH
K ü llenhahner Str.55D- 42349 Wuppertal
Tel. +49 (0) 202/ 3177 0180
Fax +49 (0) 202/ 3177 0182
info@letone-europe.de
www.letone-europe.de

成为全球流体技术产业领航者

TO BE THE WORLD'S LEADER OF FLUID TECHNOLOGY INDUSTRY



漯河利通液压科技股份有限公司

LUOHELETONE HYDRAULICS TECHNOLOGY CO.,LTD

全国服务热线：400-6191-666

电话：0395-2610009

传真：0395-2610007

网址：WWW.LETONE.CN

邮箱：info@letone.cn

地址：国家·漯河经济技术开发区东方红路88号

Tel: 0395-2615512

Fax: 0395-2610007

Web: www.LETONE.cn

E-mail: info@letone.cn

ADD : No.88 Dong Fang Hong Road, Economic and Technological Development Area, Henan Province, P.R.China



利通官网
Official Website



微信公众号
Follow Us on Wechat

2020年4月第一版

Version of APR. 2020

WWW.LETONE.CN

 LETONE